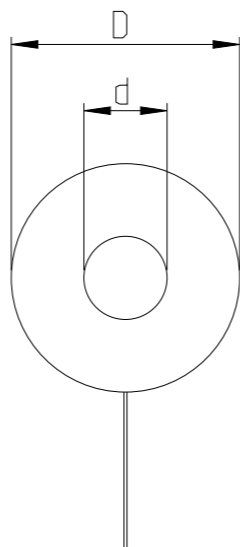
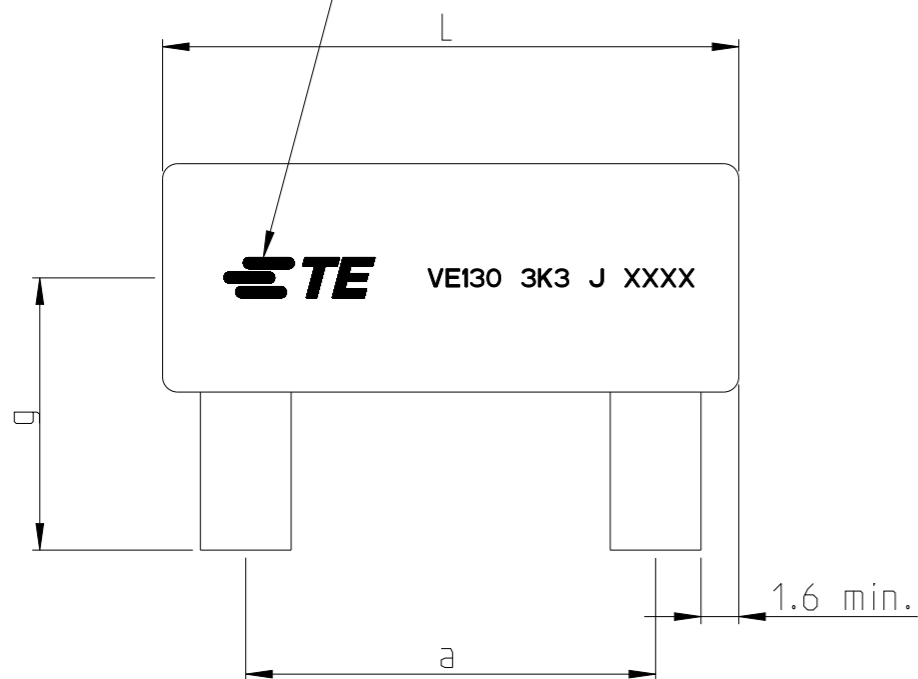


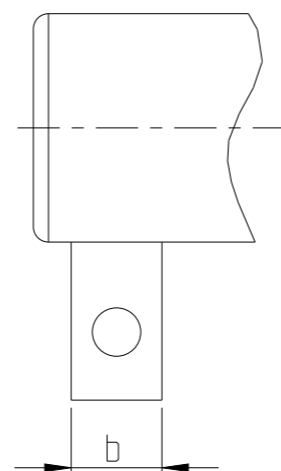
REVISIONS

P	LTR	DESCRIPTION	DATE	DWN	APVD
	A	INITIAL DRAWING RELEASE	21FEB2024	DM	AP

MARKING DETAILS:
 TE LOGO TYPE RESISTANCE VALUE TOLERANCE DATE CODE (YYMM)



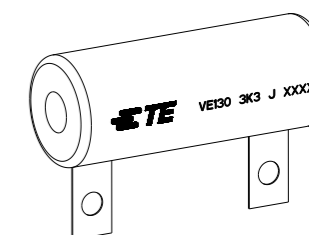
END TERMINAL



SOLDER LUG, TINNED

FOR FURTHER DETAILS PLEASE REFER TO VITREOUS ENAMEL COATED POWER RESISTORS TYPE VE SERIES

Type	D (max)	L ±1.6	a	d	g	b
VE 220W	33.3	152.4	139.4	18.5	29	8



THIS DRAWING IS A CONTROLLED DOCUMENT.

DWN DHEERA J M 21FEB2024

CHK TRACY G 21FEB2024

APVD ALLAN P 21FEB2024

PRODUCT SPEC

APPLICATION SPEC

WEIGHT

CUSTOMER DRAWING

TE TE Connectivity

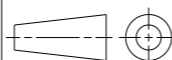
NAME VITREOUS ENAMEL COATED POWER RESISTOR TYPE VE 220W SERIES

SIZE	CAGE CODE	DRAWING NO	RESTRICTED TO
------	-----------	------------	---------------

A3	00779	C=2176726	-
----	-------	-----------	---

SCALE	SHEET	OF	REV
2:1	1	2	A

DIMENSIONS: mm



TOLERANCES UNLESS OTHERWISE SPECIFIED:

- 0 PLC ±
- 1 PLC ±
- 2 PLC ±
- 3 PLC ±
- 4 PLC ±
- ANGLES ±

MATERIAL FINISH


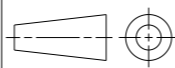
-	-
-	-

REVISIONS

P	LTR	DESCRIPTION	DATE	DWN	APVD
-		SEE SHEET 1	-	-	-

SCHEDULE			
TCPN	CATALOGUE NUMBER	PART DESCRIPTION	PART STATUS
2176726-1	VE2205R6JS	VE 220W 5R6 5% SOLDER LUG	PRODUCTION
2176726-2	VE2206R8JS	VE 220W 6R8 5% SOLDER LUG	PRODUCTION
2176726-3	VE2208R2JS	VE 220W 8R2 5% SOLDER LUG	PRODUCTION
2176726-4	VE22010RJS	VE 220W 10R 5% SOLDER LUG	PRODUCTION
2176726-5	VE22012RJS	VE 220W 12R 5% SOLDER LUG	PRODUCTION
2176726-6	VE22015RJS	VE 220W 15R 5% SOLDER LUG	PRODUCTION
2176726-7	VE22018RJS	VE 220W 18R 5% SOLDER LUG	PRODUCTION
2176726-8	VE22022RJS	VE 220W 22R 5% SOLDER LUG	PRODUCTION
2176726-9	VE22027RJS	VE 220W 27R 5% SOLDER LUG	PRODUCTION
1-2176726-0	VE22033RJS	VE 220W 33R 5% SOLDER LUG	PRODUCTION
1-2176726-1	VE22039RJS	VE 220W 39R 5% SOLDER LUG	PRODUCTION
1-2176726-2	VE22047RJS	VE 220W 47R 5% SOLDER LUG	PRODUCTION
1-2176726-3	VE22056RJS	VE 220W 56R 5% SOLDER LUG	PRODUCTION
1-2176726-4	VE22068RJS	VE 220W 68R 5% SOLDER LUG	PRODUCTION
1-2176726-5	VE22082RJS	VE 220W 82R 5% SOLDER LUG	PRODUCTION
1-2176726-6	VE220100RJS	VE 220W 100R 5% SOLDER LUG	PRODUCTION
1-2176726-7	VE220120RJS	VE 220W 120R 5% SOLDER LUG	PRODUCTION
1-2176726-8	VE220150RJS	VE 220W 150R 5% SOLDER LUG	PRODUCTION
1-2176726-9	VE220180RJS	VE 220W 180R 5% SOLDER LUG	PRODUCTION
2-2176726-0	VE220220RJS	VE 220W 220R 5% SOLDER LUG	PRODUCTION
2-2176726-1	VE220270RJS	VE 220W 270R 5% SOLDER LUG	PRODUCTION
2-2176726-2	VE220330RJS	VE 220W 330R 5% SOLDER LUG	PRODUCTION

SCHEDULE			
TCPN	CATALOGUE NUMBER	PART DESCRIPTION	PART STATUS
2-2176726-3	VE220390RJS	VE 220W 390R 5% SOLDER LUG	PRODUCTION
2-2176726-4	VE220470RJS	VE 220W 470R 5% SOLDER LUG	PRODUCTION
2-2176726-5	VE220560RJS	VE 220W 560R 5% SOLDER LUG	PRODUCTION
2-2176726-6	VE220680RJS	VE 220W 680R 5% SOLDER LUG	PRODUCTION
2-2176726-7	VE220820RJS	VE 220W 820R 5% SOLDER LUG	PRODUCTION
2-2176726-8	VE2201K0JS	VE 220W 1K0 5% SOLDER LUG	PRODUCTION
2-2176726-9	VE2201K2JS	VE 220W 1K2 5% SOLDER LUG	PRODUCTION
3-2176726-0	VE2201K5JS	VE 220W 1K5 5% SOLDER LUG	PRODUCTION
3-2176726-1	VE2201K8JS	VE 220W 1K8 5% SOLDER LUG	PRODUCTION
3-2176726-2	VE2202K2JS	VE 220W 2K2 5% SOLDER LUG	PRODUCTION
3-2176726-3	VE2202K7JS	VE 220W 2K7 5% SOLDER LUG	PRODUCTION
3-2176726-4	VE2203K3JS	VE 220W 3K3 5% SOLDER LUG	PRODUCTION
3-2176726-5	VE2203K9JS	VE 220W 3K9 5% SOLDER LUG	PRODUCTION
3-2176726-6	VE2204K7JS	VE 220W 4K7 5% SOLDER LUG	PRODUCTION
3-2176726-7	VE2205K6JS	VE 220W 5K6 5% SOLDER LUG	PRODUCTION
3-2176726-8	VE2206K8JS	VE 220W 6K8 5% SOLDER LUG	PRODUCTION
3-2176726-9	VE2208K2JS	VE 220W 8K2 5% SOLDER LUG	PRODUCTION
4-2176726-0	VE22010KJS	VE 220W 10K 5% SOLDER LUG	PRODUCTION
4-2176726-1	VE22012KJS	VE 220W 12K 5% SOLDER LUG	PRODUCTION
4-2176726-2	VE22015KJS	VE 220W 15K 5% SOLDER LUG	PRODUCTION
4-2176726-3	VE22018KJS	VE 220W 18K 5% SOLDER LUG	PRODUCTION
4-2176726-4	VE22022KJS	VE 220W 22K 5% SOLDER LUG	PRODUCTION

THIS DRAWING IS A CONTROLLED DOCUMENT.		DWN DHEERAJ M 21FEB2024	 TE Connectivity	
DIMENSIONS: mm		CHK TRACY G 21FEB2024		
		APVD ALLAN P 21FEB2024		
TOLERANCES UNLESS OTHERWISE SPECIFIED:		PRODUCT SPEC	NAME VITREOUS ENAMEL COATED POWER RESISTOR TYPE VE 220W SERIES	
0 PLC ±		APPLICATION SPEC	-	
1 PLC ±		WEIGHT	-	
2 PLC ±		CUSTOMER DRAWING	SIZE	A3
3 PLC ±			CAGE CODE	00779
4 PLC ±		SCALE	2:1	SHEET 2 OF 2
ANGLES ±		RESTRICTED TO	-	
FINISH		REV	A	