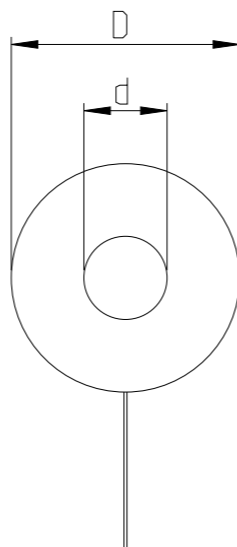
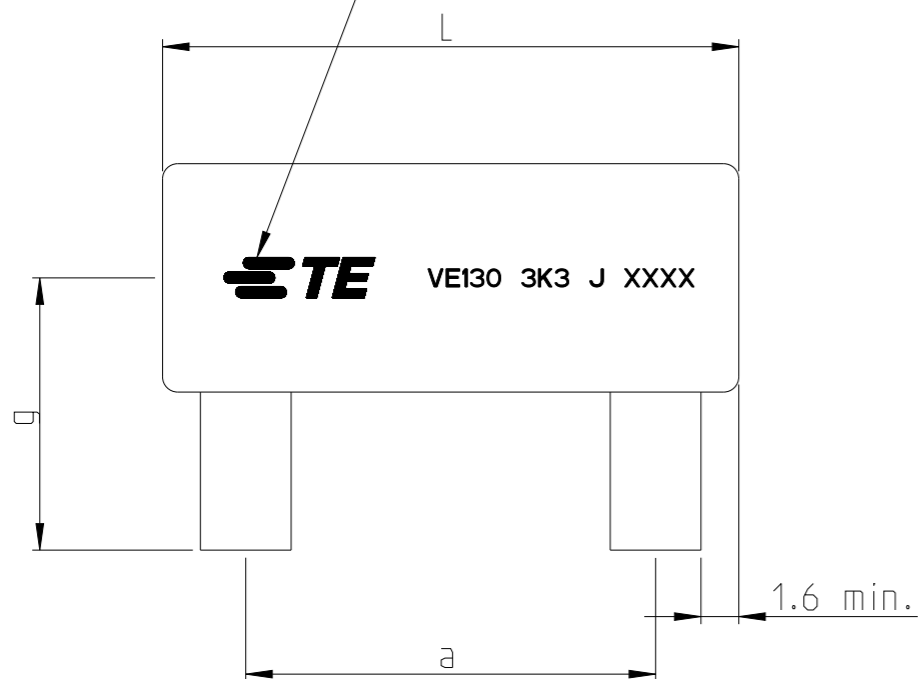


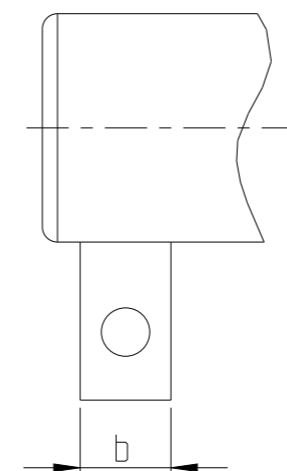
REVISIONS

P	LTR	DESCRIPTION	DATE	DWN	APVD
	A	INITIAL DRAWING RELEASE	21FEB2024	DM	AP

MARKING DETAILS:
TE LOGO TYPE RESISTANCE VALUE TOLERANCE DATE CODE (YYMM)



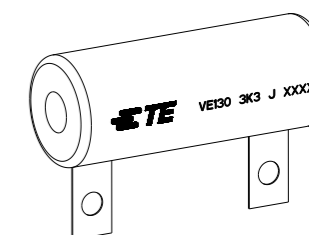
END TERMINAL



SOLDER LUG, TINNED

FOR FURTHER DETAILS PLEASE REFER TO VITREOUS ENAMEL COATED POWER RESISTORS TYPE VE SERIES

Type	D (max)	L ±1.6	a	d	g	b
VE 400W	33.3	266.7	253.7	18.5	29	8



THIS DRAWING IS A CONTROLLED DOCUMENT.

DWN DHEERA J M 21FEB2024

CHK TRACY G 21FEB2024

APVD ALLAN P 21FEB2024

PRODUCT SPEC

APPLICATION SPEC

WEIGHT -

CUSTOMER DRAWING

TE TE Connectivity

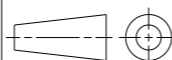
NAME VITREOUS ENAMEL COATED POWER RESISTOR TYPE VE 400W SERIES

SIZE CAGE CODE DRAWING NO RESTRICTED TO

A3 00779 C=2176728

SCALE 2:1 SHEET 1 OF 2 REV A

DIMENSIONS:
mm



TOLERANCES UNLESS OTHERWISE SPECIFIED:

- 0 PLC ±
- 1 PLC ±
- 2 PLC ±
- 3 PLC ±
- 4 PLC ±
- ANGLES ±


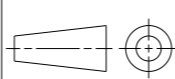
MATERIAL FINISH

REVISIONS

P	LTR	DESCRIPTION	DATE	DWN	APVD
-		SEE SHEET 1	-	-	-

SCHEDULE			
TCPN	CATALOGUE NUMBER	PART DESCRIPTION	PART STATUS
2176728-1	VE40010RJS	VE 400W 10R 5% SOLDER LUG	PRODUCTION
2176728-2	VE40012RJS	VE 400W 12R 5% SOLDER LUG	PRODUCTION
2176728-3	VE40015RJS	VE 400W 15R 5% SOLDER LUG	PRODUCTION
2176728-4	VE40018RJS	VE 400W 18R 5% SOLDER LUG	PRODUCTION
2176728-5	VE40022RJS	VE 400W 22R 5% SOLDER LUG	PRODUCTION
2176728-6	VE40027RJS	VE 400W 27R 5% SOLDER LUG	PRODUCTION
2176728-7	VE40033RJS	VE 400W 33R 5% SOLDER LUG	PRODUCTION
2176728-8	VE40039RJS	VE 400W 39R 5% SOLDER LUG	PRODUCTION
2176728-9	VE40047RJS	VE 400W 47R 5% SOLDER LUG	PRODUCTION
1-2176728-0	VE40056RJS	VE 400W 56R 5% SOLDER LUG	PRODUCTION
1-2176728-1	VE40068RJS	VE 400W 68R 5% SOLDER LUG	PRODUCTION
1-2176728-2	VE40082RJS	VE 400W 82R 5% SOLDER LUG	PRODUCTION
1-2176728-3	VE400100RJS	VE 400W 100R 5% SOLDER LUG	PRODUCTION
1-2176728-4	VE400120RJS	VE 400W 120R 5% SOLDER LUG	PRODUCTION
1-2176728-5	VE400150RJS	VE 400W 150R 5% SOLDER LUG	PRODUCTION
1-2176728-6	VE400180RJS	VE 400W 180R 5% SOLDER LUG	PRODUCTION
1-2176728-7	VE400220RJS	VE 400W 220R 5% SOLDER LUG	PRODUCTION
1-2176728-8	VE400270RJS	VE 400W 270R 5% SOLDER LUG	PRODUCTION
1-2176728-9	VE400330RJS	VE 400W 330R 5% SOLDER LUG	PRODUCTION
2-2176728-0	VE400390RJS	VE 400W 390R 5% SOLDER LUG	PRODUCTION

SCHEDULE			
TCPN	CATALOGUE NUMBER	PART DESCRIPTION	PART STATUS
2-2176728-1	VE400470RJS	VE 400W 470R 5% SOLDER LUG	PRODUCTION
2-2176728-2	VE400560RJS	VE 400W 560R 5% SOLDER LUG	PRODUCTION
2-2176728-3	VE400680RJS	VE 400W 680R 5% SOLDER LUG	PRODUCTION
2-2176728-4	VE400820RJS	VE 400W 820R 5% SOLDER LUG	PRODUCTION
2-2176728-5	VE4001K0JS	VE 400W 1K0 5% SOLDER LUG	PRODUCTION
2-2176728-6	VE4001K2JS	VE 400W 1K2 5% SOLDER LUG	PRODUCTION
2-2176728-7	VE4001K5JS	VE 400W 1K5 5% SOLDER LUG	PRODUCTION
2-2176728-8	VE4001K8JS	VE 400W 1K8 5% SOLDER LUG	PRODUCTION
2-2176728-9	VE4002K2JS	VE 400W 2K2 5% SOLDER LUG	PRODUCTION
3-2176728-0	VE4002K7JS	VE 400W 2K7 5% SOLDER LUG	PRODUCTION
3-2176728-1	VE4003K3JS	VE 400W 3K3 5% SOLDER LUG	PRODUCTION
3-2176728-2	VE4003K9JS	VE 400W 3K9 5% SOLDER LUG	PRODUCTION
3-2176728-3	VE4004K7JS	VE 400W 4K7 5% SOLDER LUG	PRODUCTION
3-2176728-4	VE4005K6JS	VE 400W 5K6 5% SOLDER LUG	PRODUCTION
3-2176728-5	VE4006K8JS	VE 400W 6K8 5% SOLDER LUG	PRODUCTION
3-2176728-6	VE4008K2JS	VE 400W 8K2 5% SOLDER LUG	PRODUCTION
3-2176728-7	VE40010KJS	VE 400W 10K 5% SOLDER LUG	PRODUCTION
3-2176728-8	VE40012KJS	VE 400W 12K 5% SOLDER LUG	PRODUCTION
3-2176728-9	VE40015KJS	VE 400W 15K 5% SOLDER LUG	PRODUCTION
4-2176728-0	VE40018KJS	VE 400W 18K 5% SOLDER LUG	PRODUCTION
4-2176728-1	VE40022KJS	VE 400W 22K 5% SOLDER LUG	PRODUCTION

THIS DRAWING IS A CONTROLLED DOCUMENT.		DWN DHEERAJ M 21FEB2024	 TE Connectivity				
DIMENSIONS: mm		CHK TRACY G 21FEB2024					
TOLERANCES UNLESS OTHERWISE SPECIFIED:		APVD ALLAN P 21FEB2024	NAME VITREOUS ENAMEL COATED POWER RESISTOR TYPE VE 400W SERIES				
		PRODUCT SPEC -					
MATERIAL -		FINISH -	APPLICATION SPEC -	SIZE A3	CAGE CODE 00779	DRAWING NO C=2176728	RESTRICTED TO -
-		WEIGHT -	SCALE 2:1		SHEET 2 OF 2	REV A	
		CUSTOMER DRAWING					