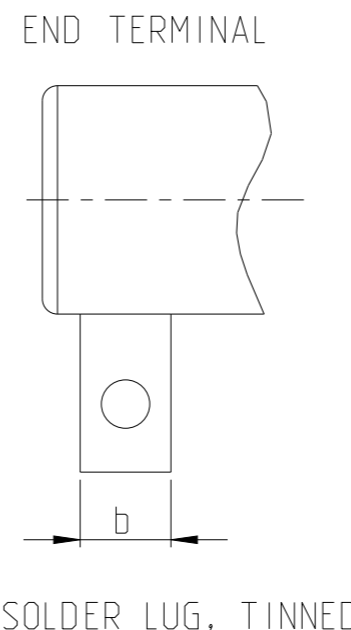
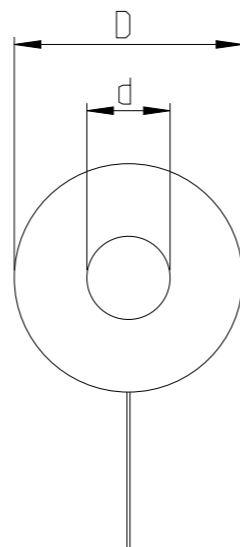
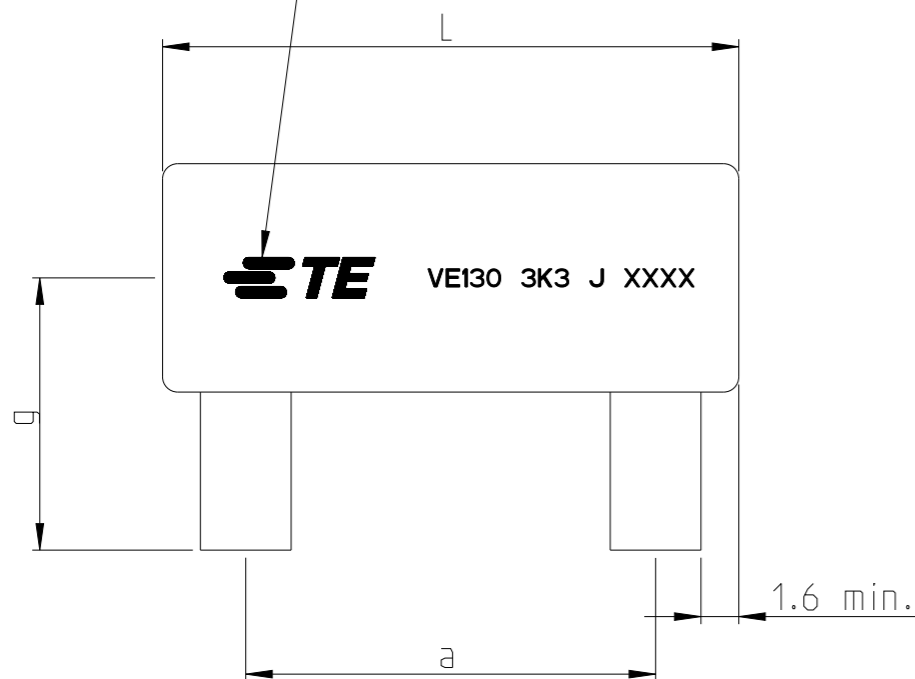


REVISIONS

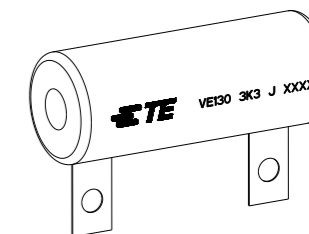
P	LTR	DESCRIPTION	DATE	DWN	APVD
	A	INITIAL DRAWING RELEASE	21FEB2024	DM	AP

MARKING DETAILS:
 TE LOGO TYPE RESISTANCE VALUE TOLERANCE DATE CODE (YYMM)



FOR FURTHER DETAILS PLEASE REFER TO VITREOUS ENAMEL COATED POWER RESISTORS TYPE VE SERIES

Type	D (max)	L ±1.6	a	d	g	b
VE 45W	15.1	76.2	65.2	5.5	18	6



THIS DRAWING IS A CONTROLLED DOCUMENT.

DIMENSIONS:	TOLERANCES UNLESS OTHERWISE SPECIFIED:
mm	
	0 PLC ±
	1 PLC ±
	2 PLC ±
	3 PLC ±
	4 PLC ±
	ANGLES ±
MATERIAL	FINISH
-	-
-	-

DWN	DHEERAJ M	21FEB2024
CHK	TRACY G	21FEB2024
APVD	ALLAN P	21FEB2024
PRODUCT SPEC	-	-
APPLICATION SPEC	-	-
WEIGHT	-	-
CUSTOMER DRAWING		

TE TE Connectivity			
NAME VITREOUS ENAMEL COATED POWER RESISTOR TYPE VE 45W SERIES			
SIZE	CAGE CODE	DRAWING NO	RESTRICTED TO
A3	00779	C=2176722	-
SCALE		SHEET	REV
2:1		1 OF 2	A

REVISIONS

P	LTR	DESCRIPTION	DATE	DWN	APVD
	-	SEE SHEET 1	-	-	-

SCHEDULE

TCPN	CATALOGUE NUMBER	PART DESCRIPTION	PART STATUS
2176722-1	VE452R2JS	VE 45W 2R2 5% SOLDER LUG	PRODUCTION
2176722-2	VE452R7JS	VE 45W 2R7 5% SOLDER LUG	PRODUCTION
2176722-3	VE453R3JS	VE 45W 3R3 5% SOLDER LUG	PRODUCTION
2176722-4	VE453R9JS	VE 45W 3R9 5% SOLDER LUG	PRODUCTION
2176722-5	VE454R7JS	VE 45W 4R7 5% SOLDER LUG	PRODUCTION
2176722-6	VE455R6JS	VE 45W 5R6 5% SOLDER LUG	PRODUCTION
2176722-7	VE456R8JS	VE 45W 6R8 5% SOLDER LUG	PRODUCTION
2176722-8	VE458R2JS	VE 45W 8R2 5% SOLDER LUG	PRODUCTION
2176722-9	VE4510RJS	VE 45W 10R 5% SOLDER LUG	PRODUCTION
1-2176722-0	VE4512RJS	VE 45W 12R 5% SOLDER LUG	PRODUCTION
1-2176722-1	VE4515RJS	VE 45W 15R 5% SOLDER LUG	PRODUCTION
1-2176722-2	VE4518RJS	VE 45W 18R 5% SOLDER LUG	PRODUCTION
1-2176722-3	VE4522RJS	VE 45W 22R 5% SOLDER LUG	PRODUCTION
1-2176722-4	VE4527RJS	VE 45W 27R 5% SOLDER LUG	PRODUCTION
1-2176722-5	VE4533RJS	VE 45W 33R 5% SOLDER LUG	PRODUCTION
1-2176722-6	VE4539RJS	VE 45W 39R 5% SOLDER LUG	PRODUCTION
1-2176722-7	VE4547RJS	VE 45W 47R 5% SOLDER LUG	PRODUCTION
1-2176722-8	VE4556RJS	VE 45W 56R 5% SOLDER LUG	PRODUCTION
1-2176722-9	VE4568RJS	VE 45W 68R 5% SOLDER LUG	PRODUCTION
2-2176722-0	VE4582RJS	VE 45W 82R 5% SOLDER LUG	PRODUCTION
2-2176722-1	VE45100RJS	VE 45W 100R 5% SOLDER LUG	PRODUCTION
2-2176722-2	VE45120RJS	VE 45W 120R 5% SOLDER LUG	PRODUCTION

SCHEDULE

TCPN	CATALOGUE NUMBER	PART DESCRIPTION	PART STATUS
2-2176722-3	VE45150RJS	VE 45W 150R 5% SOLDER LUG	PRODUCTION
2-2176722-4	VE45180RJS	VE 45W 180R 5% SOLDER LUG	PRODUCTION
2-2176722-5	VE45220RJS	VE 45W 220R 5% SOLDER LUG	PRODUCTION
2-2176722-6	VE45270RJS	VE 45W 270R 5% SOLDER LUG	PRODUCTION
2-2176722-7	VE45330RJS	VE 45W 330R 5% SOLDER LUG	PRODUCTION
2-2176722-8	VE45390RJS	VE 45W 390R 5% SOLDER LUG	PRODUCTION
2-2176722-9	VE45470RJS	VE 45W 470R 5% SOLDER LUG	PRODUCTION
3-2176722-0	VE45560RJS	VE 45W 560R 5% SOLDER LUG	PRODUCTION
3-2176722-1	VE45680RJS	VE 45W 680R 5% SOLDER LUG	PRODUCTION
3-2176722-2	VE45820RJS	VE 45W 820R 5% SOLDER LUG	PRODUCTION
3-2176722-3	VE451K0JS	VE 45W 1K0 5% SOLDER LUG	PRODUCTION
3-2176722-4	VE451K2JS	VE 45W 1K2 5% SOLDER LUG	PRODUCTION
3-2176722-5	VE451K5JS	VE 45W 1K5 5% SOLDER LUG	PRODUCTION
3-2176722-6	VE451K8JS	VE 45W 1K8 5% SOLDER LUG	PRODUCTION
3-2176722-7	VE452K2JS	VE 45W 2K2 5% SOLDER LUG	PRODUCTION
3-2176722-8	VE452K7JS	VE 45W 2K7 5% SOLDER LUG	PRODUCTION
3-2176722-9	VE453K3JS	VE 45W 3K3 5% SOLDER LUG	PRODUCTION
4-2176722-0	VE453K9JS	VE 45W 3K9 5% SOLDER LUG	PRODUCTION
4-2176722-1	VE454K7JS	VE 45W 4K7 5% SOLDER LUG	PRODUCTION
4-2176722-2	VE455K6JS	VE 45W 5K6 5% SOLDER LUG	PRODUCTION
4-2176722-3	VE456K8JS	VE 45W 6K8 5% SOLDER LUG	PRODUCTION

THIS DRAWING IS A CONTROLLED DOCUMENT.

DWN DHEERAJ M 21FEB2024

CHK TRACY G 21FEB2024

APVD ALLAN P 21FEB2024

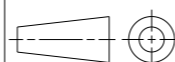
PRODUCT SPEC -

APPLICATION SPEC -

WEIGHT -

CUSTOMER DRAWING

DIMENSIONS:
mm



MATERIAL -

TOLERANCES UNLESS OTHERWISE SPECIFIED:

- 0 PLC ±
- 1 PLC ±
- 2 PLC ±
- 3 PLC ±
- 4 PLC ±
- ANGLES ±
- FINISH -

FINISH -



TE Connectivity

NAME VITREOUS ENAMEL COATED POWER RESISTOR
TYPE VE 45W SERIES

SIZE A3 CAGE CODE 00779 DRAWING NO C-2176722 RESTRICTED TO -

SCALE 2:1 SHEET 2 OF 2 REV A