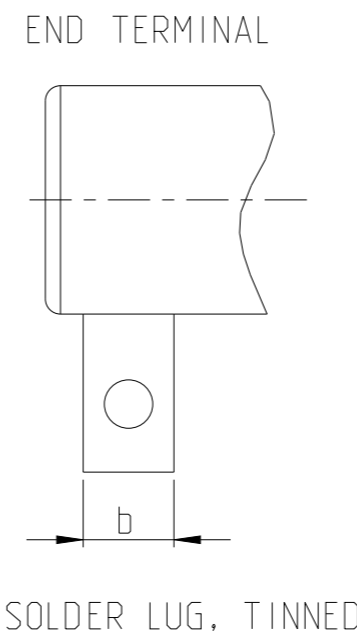
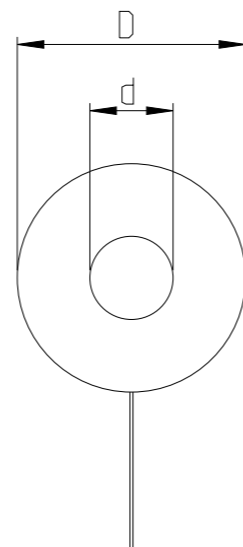
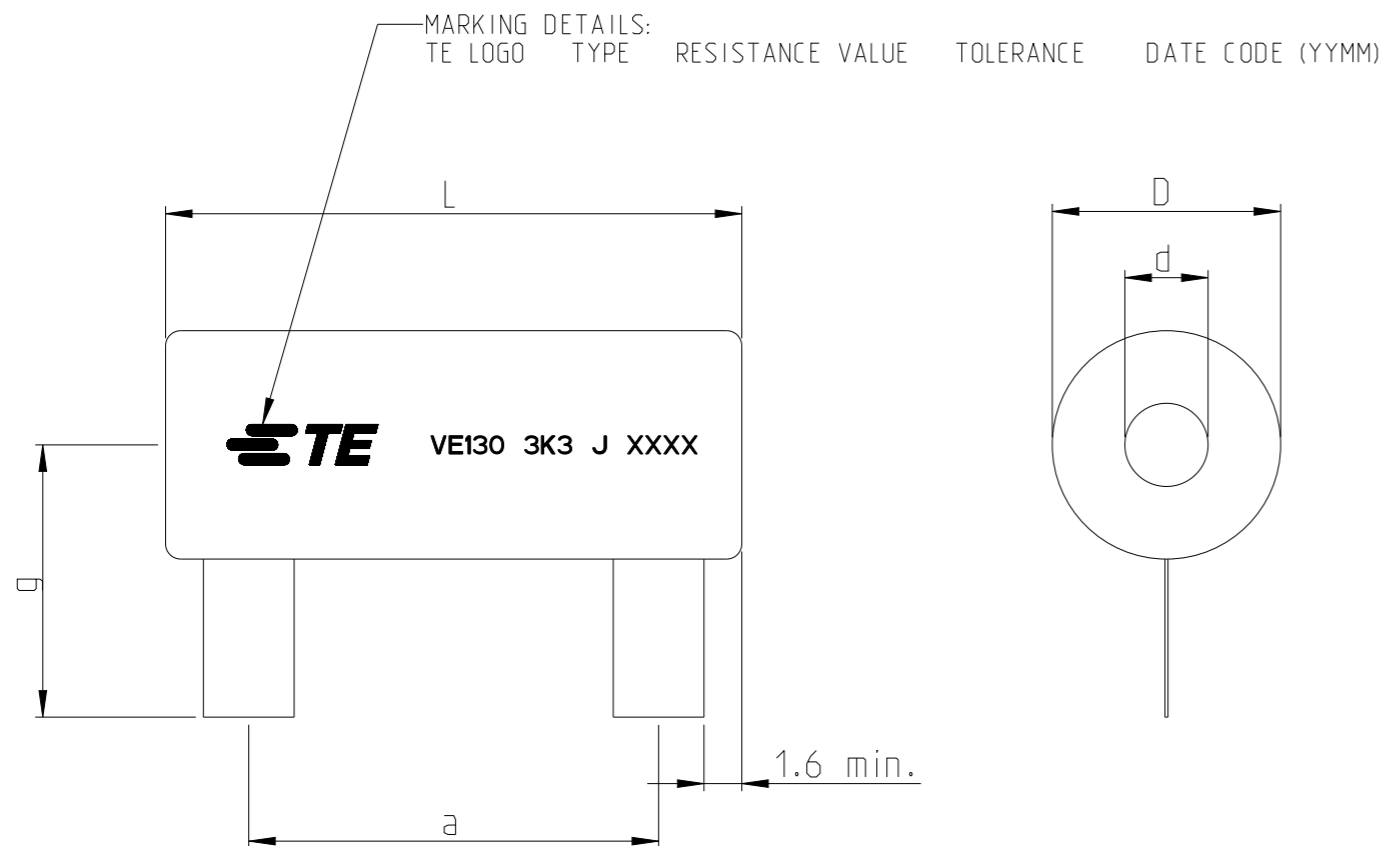
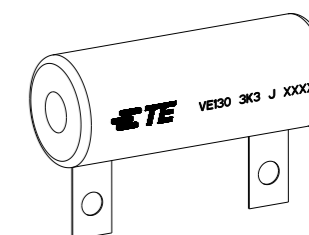


P	LTR	DESCRIPTION	DATE	DWN	APVD
	A	INITIAL DRAWING RELEASE	21FEB2024	DM	AP



FOR FURTHER DETAILS PLEASE REFER TO VITREOUS ENAMEL COATED POWER RESISTORS TYPE VE SERIES

Type	D (max)	L ±1.6	a	d	g	b
VE 70W	23.0	76.2	63.2	12.0	25	8



THIS DRAWING IS A CONTROLLED DOCUMENT.

DIMENSIONS:	TOLERANCES UNLESS OTHERWISE SPECIFIED:
mm	
	0 PLC ±
	1 PLC ±
	2 PLC ±
	3 PLC ±
	4 PLC ±
	ANGLES ±
MATERIAL	FINISH
-	-
-	-

DWN	DHEERA J M	21FEB2024
CHK	TRACY G	21FEB2024
APVD	ALLAN P	21FEB2024
PRODUCT SPEC	-	-
APPLICATION SPEC	-	-
WEIGHT	-	-
CUSTOMER DRAWING		


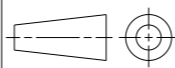
TE Connectivity		NAME		RESTRICTED TO	
		VITREOUS ENAMEL COATED POWER RESISTOR TYPE VE 70W SERIES			
SIZE	CAGE CODE	DRAWING NO			
A3	00779	C=2176723			
SCALE		SHEET	OF	REV	
2:1		1	2	A	

REVISIONS

P	LTR	DESCRIPTION	DATE	DWN	APVD
	-	SEE SHEET 1	-	-	-

SCHEDULE			
TCPN	CATALOGUE NUMBER	PART DESCRIPTION	PART STATUS
2176723-1	VE702R7JS	VE 70W 2R7 5% SOLDER LUG	PRODUCTION
2176723-2	VE703R3JS	VE 70W 3R3 5% SOLDER LUG	PRODUCTION
2176723-3	VE703R9JS	VE 70W 3R9 5% SOLDER LUG	PRODUCTION
2176723-4	VE704R7JS	VE 70W 4R7 5% SOLDER LUG	PRODUCTION
2176723-5	VE705R6JS	VE 70W 5R6 5% SOLDER LUG	PRODUCTION
2176723-6	VE706R8JS	VE 70W 6R8 5% SOLDER LUG	PRODUCTION
2176723-7	VE708R2JS	VE 70W 8R2 5% SOLDER LUG	PRODUCTION
2176723-8	VE7010RJS	VE 70W 10R 5% SOLDER LUG	PRODUCTION
2176723-9	VE7012RJS	VE 70W 12R 5% SOLDER LUG	PRODUCTION
1-2176723-0	VE7015RJS	VE 70W 15R 5% SOLDER LUG	PRODUCTION
1-2176723-1	VE7018RJS	VE 70W 18R 5% SOLDER LUG	PRODUCTION
1-2176723-2	VE7022RJS	VE 70W 22R 5% SOLDER LUG	PRODUCTION
1-2176723-3	VE7027RJS	VE 70W 27R 5% SOLDER LUG	PRODUCTION
1-2176723-4	VE7033RJS	VE 70W 33R 5% SOLDER LUG	PRODUCTION
1-2176723-5	VE7039RJS	VE 70W 39R 5% SOLDER LUG	PRODUCTION
1-2176723-6	VE7047RJS	VE 70W 47R 5% SOLDER LUG	PRODUCTION
1-2176723-7	VE7056RJS	VE 70W 56R 5% SOLDER LUG	PRODUCTION
1-2176723-8	VE7068RJS	VE 70W 68R 5% SOLDER LUG	PRODUCTION
1-2176723-9	VE7082RJS	VE 70W 82R 5% SOLDER LUG	PRODUCTION
2-2176723-0	VE70100RJS	VE 70W 100R 5% SOLDER LUG	PRODUCTION
2-2176723-1	VE70120RJS	VE 70W 120R 5% SOLDER LUG	PRODUCTION
2-2176723-2	VE70150RJS	VE 70W 150R 5% SOLDER LUG	PRODUCTION

SCHEDULE			
TCPN	CATALOGUE NUMBER	PART DESCRIPTION	PART STATUS
2-2176723-3	VE70180RJS	VE 70W 180R 5% SOLDER LUG	PRODUCTION
2-2176723-4	VE70220RJS	VE 70W 220R 5% SOLDER LUG	PRODUCTION
2-2176723-5	VE70270RJS	VE 70W 270R 5% SOLDER LUG	PRODUCTION
2-2176723-6	VE70330RJS	VE 70W 330R 5% SOLDER LUG	PRODUCTION
2-2176723-7	VE70390RJS	VE 70W 390R 5% SOLDER LUG	PRODUCTION
2-2176723-8	VE70470RJS	VE 70W 470R 5% SOLDER LUG	PRODUCTION
2-2176723-9	VE70560RJS	VE 70W 560R 5% SOLDER LUG	PRODUCTION
3-2176723-0	VE70680RJS	VE 70W 680R 5% SOLDER LUG	PRODUCTION
3-2176723-1	VE70820RJS	VE 70W 820R 5% SOLDER LUG	PRODUCTION
3-2176723-2	VE701K0JS	VE 70W 1K0 5% SOLDER LUG	PRODUCTION
3-2176723-3	VE701K2JS	VE 70W 1K2 5% SOLDER LUG	PRODUCTION
3-2176723-4	VE701K5JS	VE 70W 1K5 5% SOLDER LUG	PRODUCTION
3-2176723-5	VE701K8JS	VE 70W 1K8 5% SOLDER LUG	PRODUCTION
3-2176723-6	VE702K2JS	VE 70W 2K2 5% SOLDER LUG	PRODUCTION
3-2176723-7	VE702K7JS	VE 70W 2K7 5% SOLDER LUG	PRODUCTION
3-2176723-8	VE703K3JS	VE 70W 3K3 5% SOLDER LUG	PRODUCTION
3-2176723-9	VE703K9JS	VE 70W 3K9 5% SOLDER LUG	PRODUCTION
4-2176723-0	VE704K7JS	VE 70W 4K7 5% SOLDER LUG	PRODUCTION
4-2176723-1	VE705K6JS	VE 70W 5K6 5% SOLDER LUG	PRODUCTION
4-2176723-2	VE706K8JS	VE 70W 6K8 5% SOLDER LUG	PRODUCTION
4-2176723-3	VE708K2JS	VE 70W 8K2 5% SOLDER LUG	PRODUCTION
4-2176723-4	VE7010KJS	VE 70W 10K 5% SOLDER LUG	PRODUCTION

THIS DRAWING IS A CONTROLLED DOCUMENT.		DWN DHEERAJ M 21FEB2024	 TE Connectivity	
DIMENSIONS: mm		CHK TRACY G 21FEB2024		
TOLERANCES UNLESS OTHERWISE SPECIFIED:		APVD ALLAN P 21FEB2024	NAME VITREOUS ENAMEL COATED POWER RESISTOR TYPE VE 70W SERIES	
		PRODUCT SPEC -	RESTRICTED TO -	
MATERIAL -		FINISH -	APPLICATION SPEC -	SIZE A3
		WEIGHT -	CAGE CODE 00779	DRAWING NO C-2176723
CUSTOMER DRAWING			SCALE 2:1	SHEET 2 OF 2
			REV A	