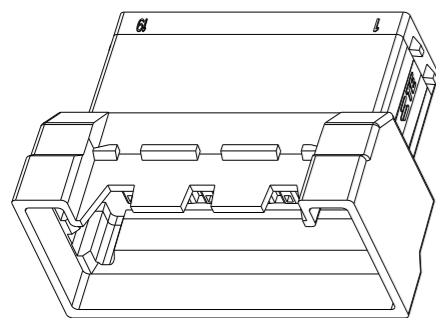
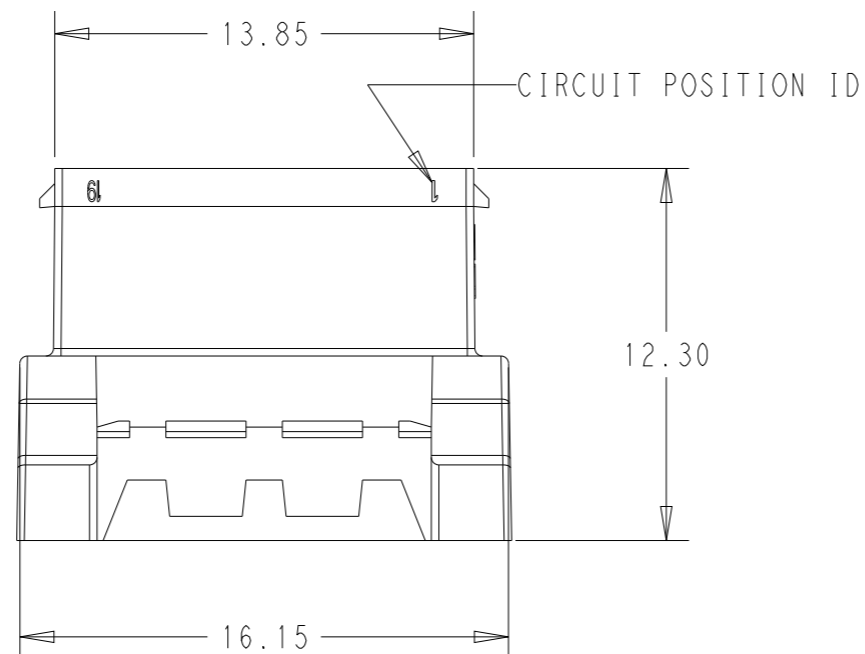


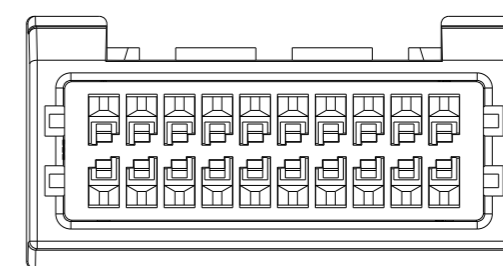
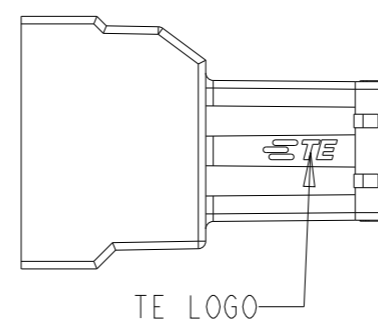
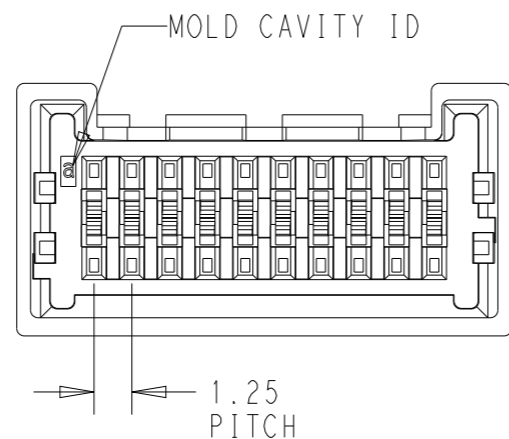
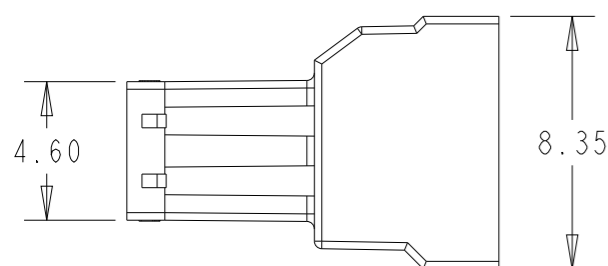
P	LTR	DESCRIPTION	DATE	DWN	APVD
	A	INITIAL RELEASE	17NOV2023	KD	D.Z



SCALE 3:1



- 1 MATERIAL: LCP, UL94V-0
- 2. APPLICABLE CONTACT P/N : 2428106-1



CIRCUIT POSITION ID

2-2376950-0 9-2376950-0 2-2456588-0 9-2456588-0	A	NATURAL	2-2428108-0
MATING P/N	KEYING	COLOR	P/N

THIS DRAWING IS A CONTROLLED DOCUMENT.

DIMENSIONS: mm	TOLERANCES UNLESS OTHERWISE SPECIFIED: ±0.3
	0 PLC ± 1 PLC ± 2 PLC ± 3 PLC ± 4 PLC ±
MATERIAL	FINISH ±3°
	-

DWN KIDEOK, CHEON 06SEP2022	TE Connectivity NAME CAP HOUSING SGI 1.25, DUAL ROW, 20P -
CHK DANIEL, ZHANG 06SEP2022	
APVD DANIEL, ZHANG 06SEP2022	
PRODUCT SPEC 108-106451	
APPLICATION SPEC 114-106497	RESTRICTED TO
WEIGHT -	-
CUSTOMER DRAWING	SCALE 4:1 SHEET 1 OF 1 REV A

SIZE A3	CAGE CODE 00779	DRAWING NO C-2428108	RESTRICTED TO -
------------	--------------------	-------------------------	--------------------