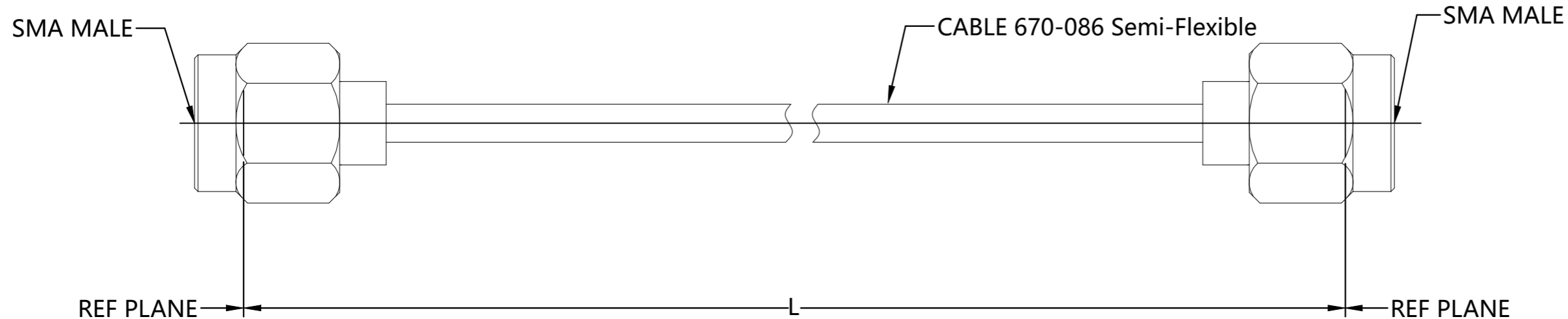


REVISIONS				
P	LTR	DESCRIPTION	DATE	APVD
1		INITIAL RELEASED	11JAN2024	TP WH



QTY	UNIT	DESCRIPTION	ITEM										
1	1	SMA MALE CONNECTOR	3										
254.0	609.6	CABLE 670-086 (Semi Flexible)	2										
1	1	SMA MALE CONNECTOR	1										
1-0	-9	-8	-7	-6	-5	-4	-3	-2	-1	U/N	TEPN	DESCRIPTION	ITEM
QUANTITY PER ASSY											PARTS LIST		

NOTES:

- PACK IN ACCORDANCE WITH TE SPEC 107-3275;
- ALL DIMENSIONS ARE NOMINAL FOR REFERENCE ONLY UNLESS OTHERWISE STATED;
- ELECTRICAL CHARACTERISTICS :
 FREQUENCY RANGE : DC-18 GHz
 NOMINAL IMPEDANCE : 50 OHMS
 INSULATION RESISTANCE : >5000 MOHMS
 WORKING VOLTAGE : 335 VRMS MAX
 DIELECTRIC WITHSTANDING VOLTAGE : >1000 VOLTS MAX
- MECHANICAL CHARACTERISTICS :
 DURABILITY : 500 CYCLES
- TEMPERATURE RANGE: -55°-+125°
- RoHS: COMPLIANT.

TEPN	L(mm)	IL(MAX)	VSWR
2480661-1	76.2±1.2	0.69 dB(DC-18GHz)	1.28 MAX(DC-18GHz)
2480661-2	101.6±1.2	0.76 dB(DC-18GHz)	1.28 MAX(DC-18GHz)
2480661-3	127.0±2.5	0.85 dB(DC-18GHz)	1.28 MAX(DC-18GHz)
2480661-4	152.4±2.5	0.93 dB(DC-18GHz)	1.28 MAX(DC-18GHz)
2480661-5	177.8±2.5	1.02 dB(DC-18GHz)	1.28 MAX(DC-18GHz)
2480661-6	203.2±2.5	1.15 dB(DC-18GHz)	1.28 MAX(DC-18GHz)
2480661-7	304.8±3.8	1.50 dB(DC-18GHz)	1.28 MAX(DC-18GHz)
2480661-8	457.2±3.8	2.05 dB(DC-18GHz)	1.28 MAX(DC-18GHz)
2480661-9	609.6±3.8	2.60 dB(DC-18GHz)	1.28 MAX(DC-18GHz)
1-2480661-0	254.0±2.5	1.33 dB(DC-18GHz)	1.28 MAX(DC-18GHz)

THIS DRAWING IS A CONTROLLED DOCUMENT.

DWN TP 11JAN2024
 CHK TP 11JAN2024
 ED ED 11JAN2024
 APVD WH 11JAN2024

PRELIMINARY TE Connectivity

SMA MALE TO SMA MALE,
 S/T SEMI FLEX 670-086

SEE NOTES

PRODUCT SPEC
 APPLICATION SPEC

SIZE	CAGE CODE	DRAWING NO	RESTRICTED TO
-	A300779	C-2480661	-

WEIGHT 0

CUSTOMER DRAWING

SCALE 1:1 SHEET 1 OF 1 REV 1

DIMENSIONS:	TOLERANCES UNLESS OTHERWISE SPECIFIED:
mm	
	0 PLC ± 5
	1 PLC ± -
	2 PLC ± -
	3 PLC ± -
	4 PLC ± -
	ANGLES ± 5
MATERIAL	FINISH
SEE TABLE	-