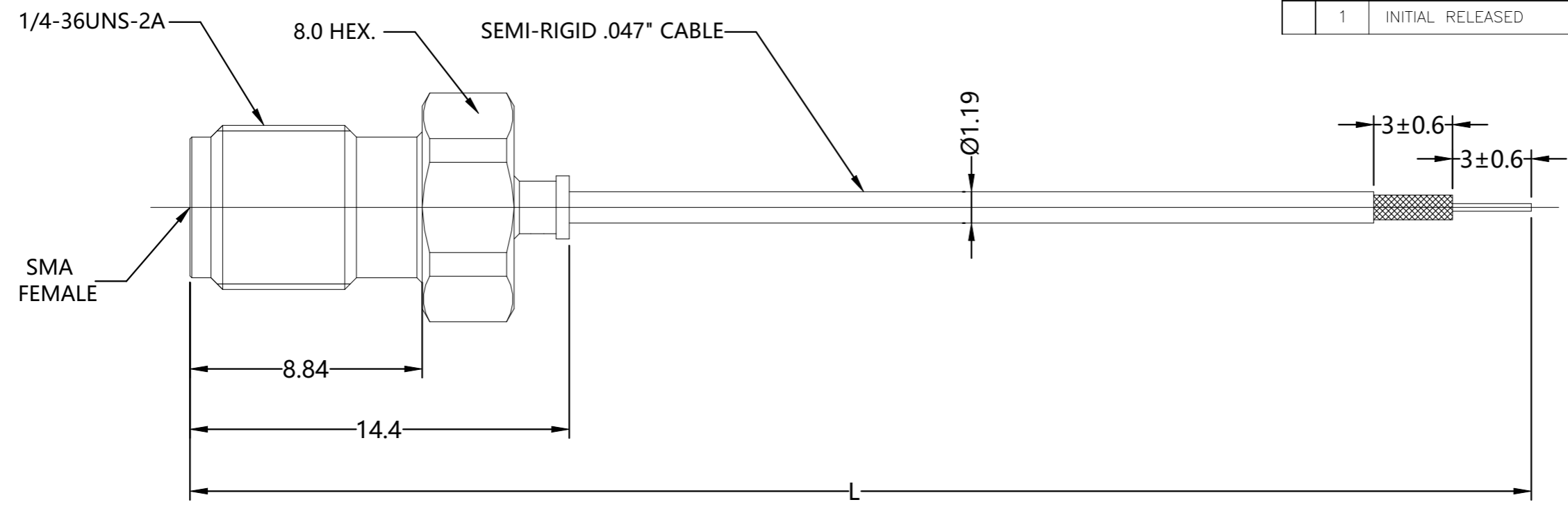


REVISIONS					
P	LTR	DESCRIPTION	DATE	DWN	APVD
1		INITIAL RELEASED	11JAN2024	TP	WH



NOTES:

- 1 PACK IN ACCORDANCE WITH TE SPEC 107-3275;
- 2 ALL DIMENSIONS ARE NOMINAL FOR REFERENCE ONLY UNLESS OTHERWISE STATED;
- 3 ELECTRICAL CHARACTERISTICS :  
 FREQUENCY RANGE : DC-20 GHz  
 NOMINAL IMPEDANCE : 50 OHMS  
 INSULATION RESISTANCE : 5000 MOHMS  
 WORKING VOLTAGE : 333 VRMS MAX  
 DIELECTRIC WITHSTANDING VOLTAGE : >1000 VOLTS MAX
- 4 MECHANICAL CHARACTERISTICS :  
 DURABILITY : 500 CYCLES
- 5 TEMPERATURE RANGE: -50°-+100°;
- 6 RoHS: COMPLIANT.

TEPN	L(mm)	IL(MAX)	VSWR
2480662-1	50±3	<0.115dB @1GHz	1.35 MAX(DC-20GHz)
		<0.270dB @10GHz	
		<0.360dB @20GHz	

						50	mm	/	SEMI-RIGID .047" CABLE	2					
						1	PC	/	SMA FEMALE CONNECTOR	1					
-7	-6	-5	-4	-3	-2	-1	U/N	TEPN	DESCRIPTION	ITEM					
						QUANTITY PER ASSY					PARTS LIST				

THIS DRAWING IS A CONTROLLED DOCUMENT.				DWN	TP	11JAN2024	 <b>PRELIMINARY</b> TE Connectivity						
				CHK	ED	11JAN2024							
				APVD	WH	11JAN2024							
				NAME									
				PRODUCT SPEC				SMA FEMALE .047 CABLE					
				SEE NOTES									
				APPLICATION SPEC									
				SIZE	CAGE CODE	DRAWING NO	RESTRICTED TO						
				WEIGHT		A3 00779 C-2480662							
				CUSTOMER DRAWING				SCALE	1:1	SHEET	1 OF 1	REV	1