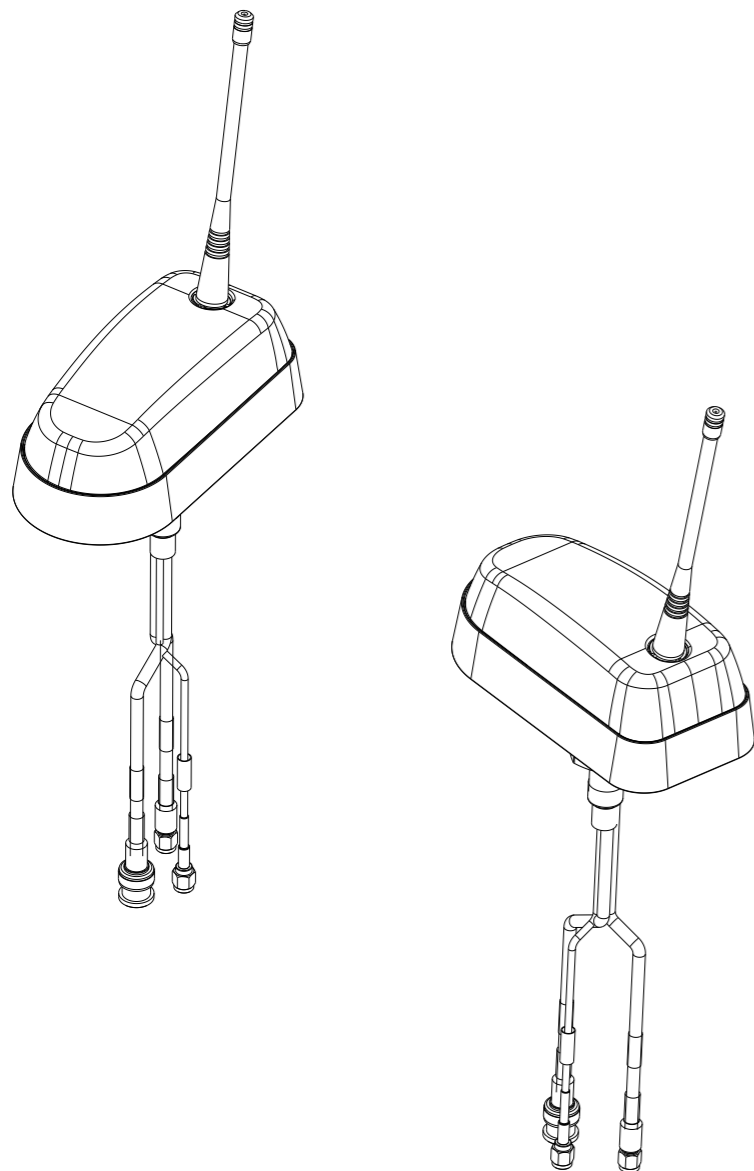



P	LTR	DESCRIPTION	DATE	DWN	APVD
	1	PRELIMINARY	08SEP2023	YS	WT
	2	EVT	07FEB2024	YS	WT
	A	INITIAL RELEASED	18APR2024	YS	WT
	A1	ADD IN STUD DETAIL	09MAY2024	YS	WT



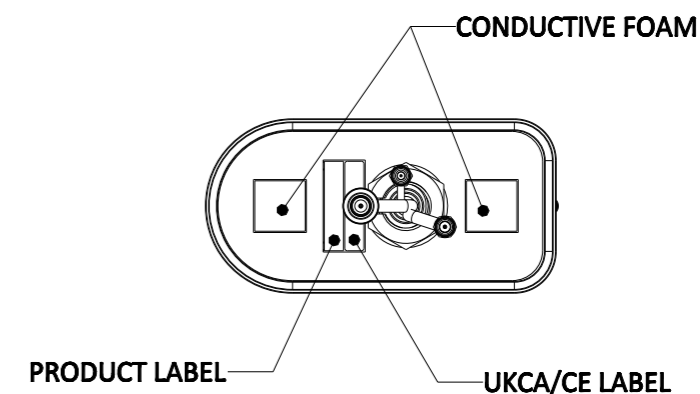
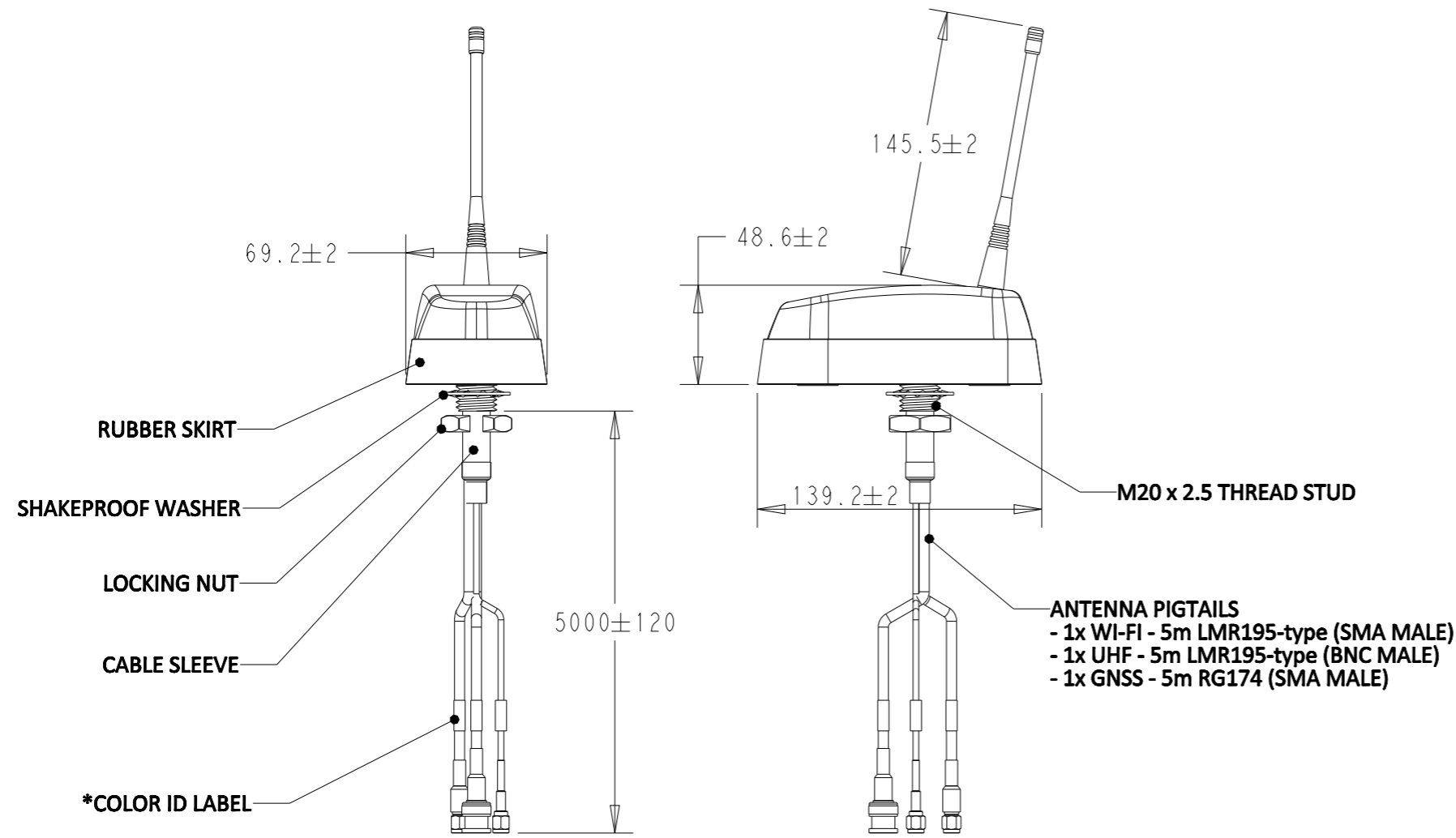
MECHANICAL SPECIFICATIONS	
Dimensions- L x W x H mm	139.2 x 69.2 x 48.6 mm (Not include Whip)
Weight, kg (lbs)	See Config. Table
Mounting	Bolt Mount
Cable Type	LMR195-type & RG174 (GNSS)
Color	Black
Radome Material	PC, UL94-V0

ENVIRONMENTAL SPECIFICATIONS	
Operating Environment	Outdoor Vehicle
Operating Temperature, °C (°F)	-30 to +70 (-22 to +158)
Storage Temperature, °C (°F)	-40 to +85 (-40 to +185)
Ingress Protection (Main Antenna)	IP67, IP69K
Wind Operational	Simulated 100 mph for 1 minute load
Wind Survival	Simulated 136 mph for 15 second load
Material Substance Compliance	RoHS Compliant

Item	TCPN	No. of Ports	Cable End Connector Type (No. of Ports)			Weight, kg (lbs)	Alias
			Wi-Fi	GNSS	Whip (UHF)		
1	L000573-02	3	SMA-M (1)	SMA-M (1)	BNC-M (1)	0.72 (1.59)	VCT24718B1JUB-500AS
2	L000573-03	2	X	SMA-M (1)	BNC-M (1)	0.56 (1.23)	VCD35032BNJUB-500AT

THIS DRAWING IS A CONTROLLED DOCUMENT.		DWN YS TAN	08SEP2023	 TE Connectivity	
DIMENSIONS: mm		CHK TY NG	08SEP2023		
TOLERANCES UNLESS OTHERWISE SPECIFIED:		APVD WT NG	08SEP2023	NAME VEHICLE ANTENNA WI-FI, GNSS, UHF	
0 PLC ±0.5 1 PLC ±0.25 2 PLC ±0.13 3 PLC ± 4 PLC ± ANGLES ±-		PRODUCT SPEC		-	
MATERIAL		APPLICATION SPEC		-	
FINISH		WEIGHT		-	
-		CUSTOMER DRAWING		SIZE A3	CAGE CODE 00779
-		SCALE 1:4		DRAWING NO L000573	RESTRICTED TO -
		SHEET 1 OF 2		REV A1	

P	LTR	DESCRIPTION	DATE	DWN	APVD
-	-	SEE SHEET 1	-	-	-



*SEE PORT INDICATION TABLE FOR DETAIL

SCALE 1:3

PORTS INDICATION TABLE

	PRINTED "TEXT"	LABEL COLOR
WI-FI PORT	WLAN 1	RED
WHIP (UHF) PORT	WHIP	GREEN
GNSS PORT	GNSS	WHITE

Item	TCPN	No. of Ports	Cable End Connector Type (No. of Ports)			Weight, kg (lbs)	Alias
			Wi-Fi	GNSS	Whip (UHF)		
1	L000573-02	3	SMA-M (1)	SMA-M (1)	BNC-M (1)	0.72 (1.59)	VCT24718B1JUB-500AS
2	L000573-03	2	X	SMA-M (1)	BNC-M (1)	0.56 (1.23)	VCD35032BNJUB-500AT

THIS DRAWING IS A CONTROLLED DOCUMENT.		DWN	YS TAN	08SEP2023		NAME		VEHICLE ANTENNA	
DIMENSIONS:		CHK	TY NG	08SEP2023		PRODUCT SPEC		WI-FI, GNSS, UHF	
TOLERANCES UNLESS OTHERWISE SPECIFIED:		APVD	WT NG	08SEP2023		APPLICATION SPEC		-	
mm		PRODUCT SPEC		APPLICATION SPEC		-		-	
0 PLC ±0.5		MATERIAL		WEIGHT		SIZE		CAGE CODE	DRAWING NO
1 PLC ±0.25		-		-		A3		00779	©-L000573
2 PLC ±0.13		-		-		CUSTOMER DRAWING		SCALE	1:4
3 PLC ±-		-		-		-		SHEET	2 OF 2
4 PLC ±-		-		-		-		REV	A1
ANGLES ±-		-		-		-		-	
FINISH		-		-		-		-	
-		-		-		-		-	
-		-		-		-		-	