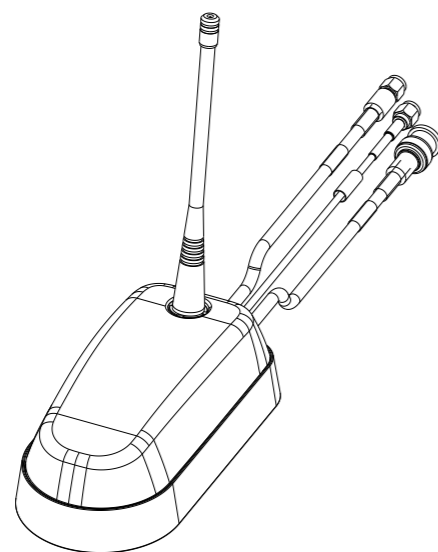
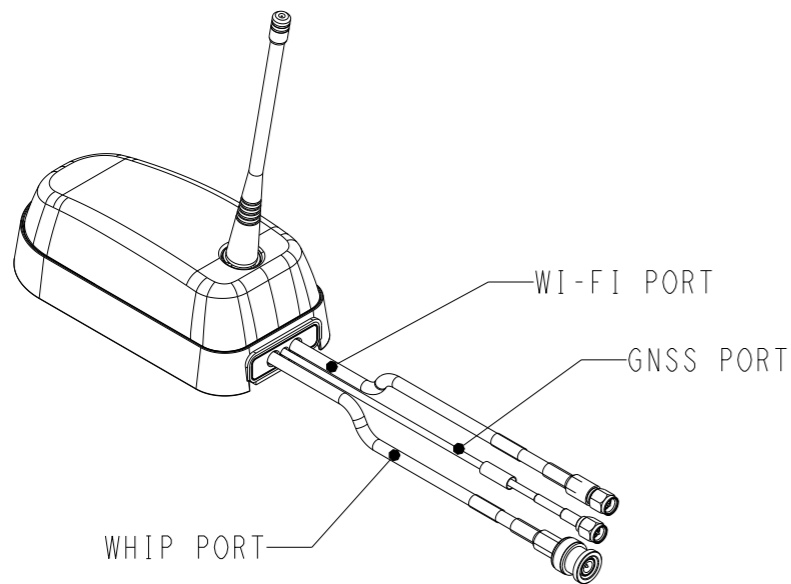


REVISIONS

P	LTR	DESCRIPTION	DATE	DWN	APVD
	1	PRELIMINARY	08SEP2023	YS	WT
	2	EVT	08FEB2024	YS	WT
	A	INITIAL RELEASED	18APR2024	YS	WT
	A1	UPDATE CABLES NOTE	09MAY2024	YS	WT




MECHANICAL SPECIFICATIONS	
Dimensions- L x W x H mm	138.2 x 68.3 x 45.6 mm (Not include Whip)
Weight, kg (lbs)	0.78 (1.72)
Mounting	Magnetic Mount
Cable Type	LMR195-type & RG174 (GNSS)
Cable Outlet Direction	Rear
Color	Black
Radome Material	PC, UL94-V0
Magnetic Pull Strength (lbs)	MIN.40 (Vertical Pull) MIN.40 (Side Pull)

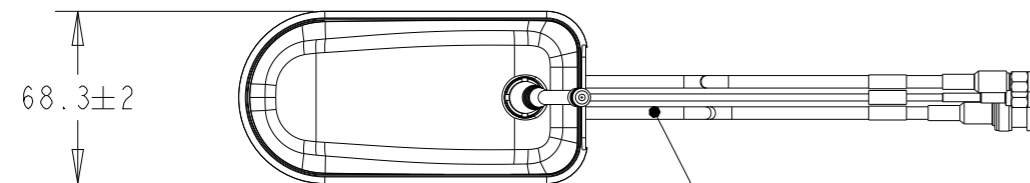
ENVIRONMENTAL SPECIFICATIONS	
Operating Environment	Outdoor Vehicle
Operating Temperature, °C (°F)	-30 to +70 (-22 to +158)
Storage Temperature, °C (°F)	-40 to +85 (-40 to +185)
Ingress Protection (Main Antenna)	IP67, IP69K
Wind Operational	Simulated 100 mph for 1 minute load
Wind Survival	Simulated 136 mph for 15 second load
Material Substance Compliance	RoHS Compliant

Notes: -
 (*) This parameter is measured on 6mm thickness flat Steel Plate, the results is subjected to change according to different mounting surface.

Item	TCPN	No. of Ports	Cable End Connector Type (No. of Ports)			Alias
			Wi-Fi	GNSS	Whip (UHF)	
1	L000574-02	3	SMA-M (1)	SMA-M (1)	BNC-M (1)	VCT24718B1JUM-500AS

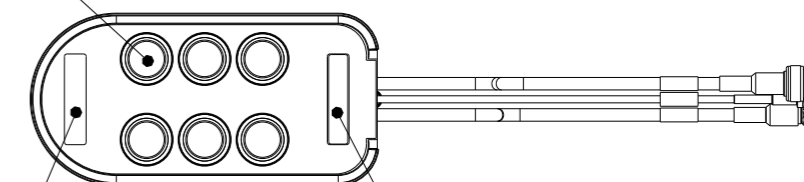
THIS DRAWING IS A CONTROLLED DOCUMENT.		DWN YS TAN	08SEP2023	 TE Connectivity NAME VEHICLE ANTENNA MAGNET MOUNT			
DIMENSIONS: mm		CHK TY NG	08SEP2023				
TOLERANCES UNLESS OTHERWISE SPECIFIED:		APVD WT NG	08SEP2023				
0 PLC ±0.5 1 PLC ±0.25 2 PLC ±0.13 3 PLC ± 4 PLC ±- ANGLES ±-		PRODUCT SPEC	-				
MATERIAL		APPLICATION SPEC	-	SIZE	CAGE CODE	DRAWING NO	RESTRICTED TO
-		WEIGHT	-	A3	00779	©-L000574	-
-		FINISH	-	CUSTOMER DRAWING		SCALE	1:4
				SHEET		1 OF 2	REV
							A1

P	LTR	DESCRIPTION	DATE	DWN	APVD
		SEE SHEET 1			



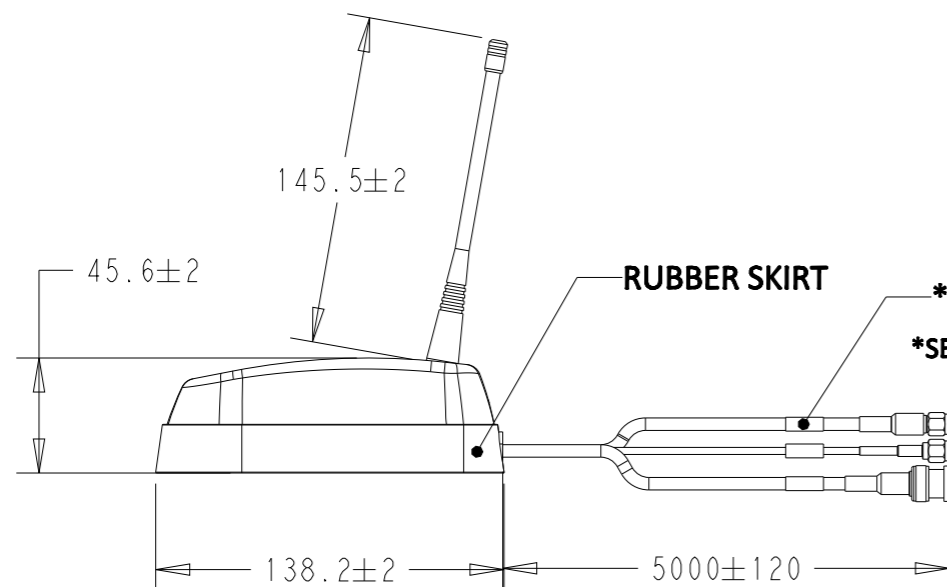
ANTENNA PIGTAILS
 - 1x WI-FI - 5m LMR195-type (SMA MALE)
 - 1x UHF - 5m LMR195-type (BNC MALE)
 - 1x GNSS - 5m RG174 (SMA MALE)

MAGNETIC FOOT x6



UKCA/CE LABEL

PRODUCT LABEL



RUBBER SKIRT

*COLOR ID LABEL

*SEE PORT INDICATION TABLE FOR DETAIL

PORTS INDICATION TABLE

	PRINTED "TEXT"	LABEL COLOR
WI-FI PORT	WLAN 1	RED
WHIP (UHF) PORT	WHIP	GREEN
GNSS PORT	GNSS	WHITE

Item	TCPN	No. of Ports	Cable End Connector Type (No. of Ports)			Alias
			Wi-Fi	GNSS	Whip (UHF)	
1	L000574-02	3	SMA-M (1)	SMA-M (1)	BNC-M (1)	VCT24718B1JUM-500AS

THIS DRAWING IS A CONTROLLED DOCUMENT.		DWN YS TAN	08SEP2023		
		CHK TY NG	08SEP2023		
		APVD WT NG	08SEP2023		
		PRODUCT SPEC			
DIMENSIONS: mm		TOLERANCES UNLESS OTHERWISE SPECIFIED:		NAME VEHICLE ANTENNA MAGNET MOUNT	
		0 PLC	±0.5	SIZE	
		1 PLC	±0.25	A3	CAGE CODE
		2 PLC	±0.13	00779	DRAWING NO
		3 PLC	±-	©-L000574	RESTRICTED TO
		4 PLC	±-		
		ANGLES	±-		
MATERIAL		FINISH		SCALE	
				1:4	SHEET
				2 OF 2	REV
				A1	
				CUSTOMER DRAWING	