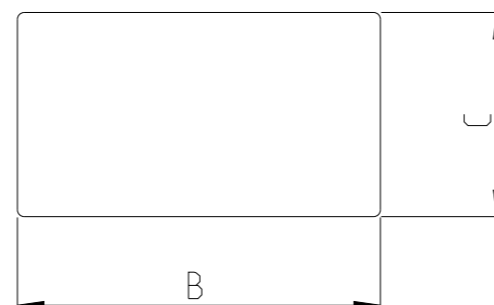


REVISIONS

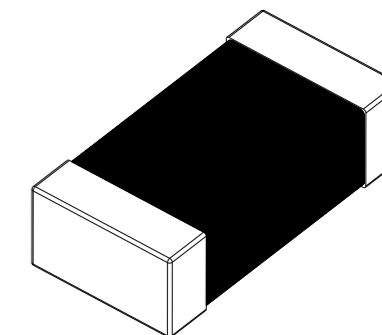
P	LTR	DESCRIPTION	DATE	DWN	APVD
	BA	INITIAL DRAWING RELEASE	04 JUN 2024	DM	AP

FOR FURTHER DETAILS PLEASE REFER TO AUTOMOTIVE GRADE MULTILAYER CHIP BEADS TYPE BMC-Q ULTRA HIGH CURRENT SERIES



TYPE	SIZE	A	B	C	D
	(Inch)	(mm)	(mm)	(mm)	(mm)
BMC-Q	1204	3.20±0.20	1.60±0.20	0.90±0.20	0.50±0.30

RoHS Compliant



THIS DRAWING IS A CONTROLLED DOCUMENT.

DIMENSIONS: mm		TOLERANCES UNLESS OTHERWISE SPECIFIED:	
	0 PLC	±	
	1 PLC	±	
	2 PLC	±	
	3 PLC	±	
	4 PLC	±	
	ANGLES	±	
MATERIAL	FINISH	-	-
-	-	-	-

DWN	DHEERAJ M	04 JUN 2024
CHK	SHANTIKIRAN S	04 JUN 2024
APVD	ALLAN P	04 JUN 2024
PRODUCT SPEC	-	
APPLICATION SPEC	-	
WEIGHT	-	
CUSTOMER DRAWING		




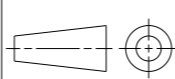
NAME AUTOMOTIVE GRADE MULTILAYER CHIP BEADS TYPE BMC-Q 1204 ULTRA HIGH CURRENT SERIES			
SIZE	CAGE CODE	DRAWING NO	RESTRICTED TO
A3	00779	C=2176749	-
SCALE		SHEET	REV
30:1		1 OF 2	BA

REVISIONS

P	LTR	DESCRIPTION	DATE	DWN	APVD
-		SEE SHEET 1	-	-	-

SCHEDULE

TCPN	CATALOGUE NUMBER	PART DESCRIPTION	PART STATUS
2176749-1	BMC-Q2C0000M	BMC-Q 1204 ZR 0~15R TOL. UH CURRENT	PRODUCTION
2176749-2	BMC-Q2C0005M	BMC-Q 1204 5R0 0~15R TOL. UH CURRENT	PRODUCTION
2176749-3	BMC-Q2C0007M	BMC-Q 1204 7R0 0~11RTOL. UH CURRENT	PRODUCTION
2176749-4	BMC-Q2C0009M	BMC-Q 1204 9R0 5~13R TOL. UH CURRENT	PRODUCTION
2176749-5	BMC-Q2C0011M	BMC-Q 1204 11R 7~15R TOL. UH CURRENT	PRODUCTION
2176749-6	BMC-Q2C0015M	BMC-Q 1204 15R 9~21R TOL. UH CURRENT	PRODUCTION
2176749-7	BMC-Q2C0019M	BMC-Q 1204 19R 12~25R TOL. UH CURRENT	PRODUCTION
2176749-8	BMC-Q2CY0026M	BMC-Q 1204 26R 25% TOL. UH CURRENT	PRODUCTION
2176749-9	BMC-Q2CY0028M	BMC-Q 1204 28R 25% TOL. UH CURRENT	PRODUCTION
1-2176749-0	BMC-Q2CY0030M	BMC-Q 1204 30R 25% TOL. UH CURRENT	PRODUCTION
1-2176749-1	BMC-Q2CY0031M	BMC-Q 1204 31R 25% TOL. UH CURRENT	PRODUCTION
1-2176749-2	BMC-Q2CY0050M	BMC-Q 1204 50R 25% TOL. UH CURRENT	PRODUCTION
1-2176749-3	BMC-Q2CY0060M	BMC-Q 1204 60R 25% TOL. UH CURRENT	PRODUCTION
1-2176749-4	BMC-Q2CY0070M	BMC-Q 1204 70R 25% TOL. UH CURRENT	PRODUCTION
1-2176749-5	BMC-Q2CY0080M	BMC-Q 1204 80R 25% TOL. UH CURRENT	PRODUCTION
1-2176749-6	BMC-Q2CY0100M	BMC-Q 1204 100R 25% TOL. UH CURRENT	PRODUCTION
1-2176749-7	BMC-Q2CY0120M	BMC-Q 1204 120R 25% TOL. UH CURRENT	PRODUCTION
1-2176749-8	BMC-Q2CY0150M	BMC-Q 1204 150R 25% TOL. UH CURRENT	PRODUCTION
1-2176749-9	BMC-Q2CY0180M	BMC-Q 1204 180R 25% TOL. UH CURRENT	PRODUCTION
2-2176749-0	BMC-Q2CY0220M	BMC-Q 1204 220R 25% TOL. UH CURRENT	PRODUCTION
2-2176749-1	BMC-Q2CY0300M	BMC-Q 1204 300R 25% TOL. UH CURRENT	PRODUCTION
2-2176749-2	BMC-Q2CY0500M	BMC-Q 1204 500R 25% TOL. UH CURRENT	PRODUCTION
2-2176749-3	BMC-Q2CY0600M	BMC-Q 1204 600R 25% TOL. UH CURRENT	PRODUCTION
2-2176749-4	BMC-Q2CY0800M	BMC-Q 1204 800R 25% TOL. UH CURRENT	PRODUCTION
2-2176749-5	BMC-Q2CY1000M	BMC-Q 1204 1K0 25% TOL. UH CURRENT	PRODUCTION

THIS DRAWING IS A CONTROLLED DOCUMENT.		DWN DHEERAJ M 04 JUN 2024	 TE Connectivity		
DIMENSIONS: mm		CHK SHANTIKIRAN S 04 JUN 2024			NAME AUTOMOTIVE GRADE MULTILAYER CHIP BEADS TYPE BMC-Q 1204 ULTRA HIGH CURRENT SERIES
		APVD ALLAN P 04 JUN 2024			
TOLERANCES UNLESS OTHERWISE SPECIFIED:		PRODUCT SPEC -	APPLICATION SPEC -	RESTRICTED TO -	
MATERIAL -		FINISH -	WEIGHT -	SIZE A3	
		CAGE CODE 00779		DRAWING NO C=2176749	
		CUSTOMER DRAWING		SCALE 50:1	
				SHEET 2 OF 2	
				REV BA	