

DO NOT SCALE FROM THIS PRINT

**TABLE 1**

NO OF PAIRS	"A"
-08	10.90 [.429]
-16	18.52 [.729]
-24	26.14 [1.029]

**TABLE 2**

No. OF PAIRS	N	N-1
-08	26	25
-16	50	49
-24	74	73

No OF PAIRS  
-08, -16, -24

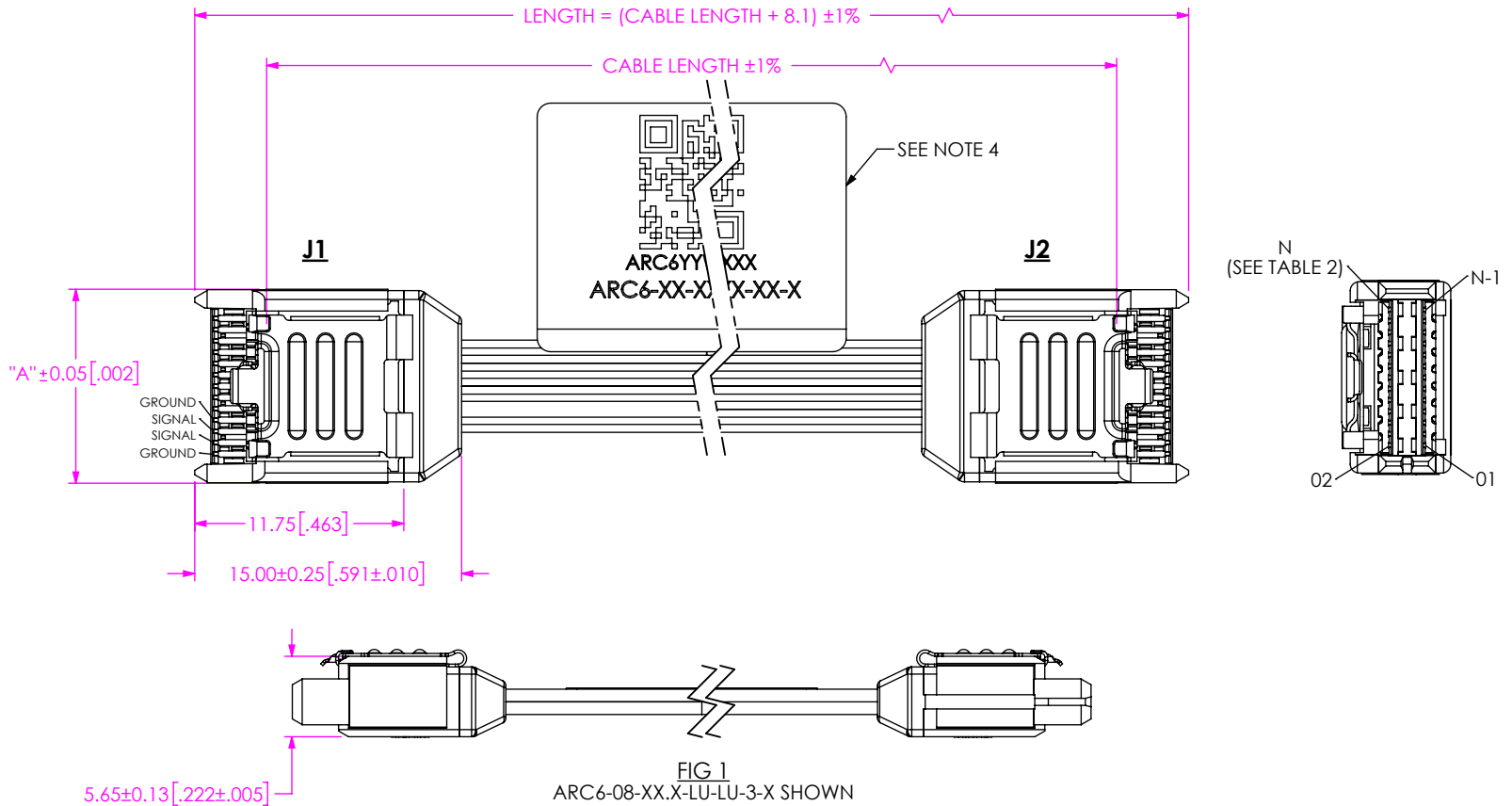
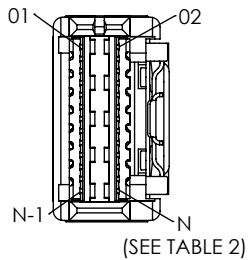
CABLE LENGTH  
-XX.X (INCHES)  
(03.0[76.2] MIN)

END 1  
-LU: LATCH UP

END 2  
-LU: LATCH UP  
-LD: LATCH DOWN

CABLE STYLE  
-1: 34100 (TwinAx)  
\*-2: 3492 (TwinAx)  
\*-3: 3492 (ThinAx)

WIRING OPTION  
-2: PIN 1 TO PIN 2 (ONLY WITH END 2 -LD OPTION)  
-3: PIN 1 TO PIN N-1 (ONLY WITH END 2 -LU OPTION)  
-2R: PIN 1 TO PIN 2 (REVERSE POLARITY) (ONLY WITH END 2 -LD OPTION) (06.0 INCHES[152.4] MIN CABLE LENGTH)  
-3R: PIN 1 TO PIN N-1 (REVERSE POLARITY) (ONLY WITH END 2 -LU OPTION) (06.0 INCHES[152.4] MIN CABLE LENGTH)  
(\* = NOT TOOLED)



- NOTES:
- ALL ASSEMBLIES TO BE 100% HI-POT TESTED AT 300V.
  - ALL ASSEMBLIES TO BE 100% ELECTRICALLY TESTED FOR SHORTS AND OPENS.
  - CABLE LENGTHS OVER 40.0[1016.0] NOT SUPPORTED BY SI TEST DATA.
  - LABEL TO BE CENTERED ON CABLE AS SHOWN. LABEL TO CONTAIN:  
LINE 1 - QR CODE  
LINE 2 - SERIAL NUMBER "ARC6YYWWXXXX"  
LINE 3 - PART NUMBER "ARC6-XX-XX.X-XX-XX-XX-X"
  - "J1" TO BE LASER MARKED ON PLASTIC HOUSING FOR -2R AND -3R OPTIONS ONLY.
  - MAX STANDARD CABLE LENGTH IS 5 METERS.  
FOR LENGTHS GREATER THAN 5 METERS, CONTACT HDR@SAMTEC.COM.

**PROPRIETARY NOTE**  
THIS DOCUMENT CONTAINS CONFIDENTIAL AND PROPRIETARY INFORMATION AND ALL DESIGN, MANUFACTURING, REPRODUCTION, USE, PATENT RIGHTS AND SALES RIGHTS ARE EXPRESSLY RESERVED BY SAMTEC, INC. THIS DOCUMENT SHALL NOT BE DISCLOSED, IN WHOLE OR PART, TO ANY UNAUTHORIZED PERSON OR ENTITY NOR REPRODUCED, TRANSFERRED OR INCORPORATED IN ANY OTHER PROJECT IN ANY MANNER WITHOUT THE EXPRESS WRITTEN CONSENT OF SAMTEC, INC.

MATERIAL: DO NOT SCALE DRAWING  
INSULATOR: LCP SHEET SCALE: 2:1  
TERMINALS: COPPER ALLOY  
PLATING: 30µ" SELECTIVE GOLD IN CONTACT AREA  
LATCH: SS

**samtec**  
520 PARK EAST BLVD, NEW ALBANY, IN 47150  
PHONE: 812-944-6733 FAX: 812-948-5047  
e-Mail info@SAMTEC.com code 55322

DESCRIPTION: **ARC6 CABLE ASSEMBLY**

DWG. NO. **ARC6-XX-XX.X-XX-XX-XX-X**

BY: JOE Z 08/12/2017 SHEET 1 OF 4

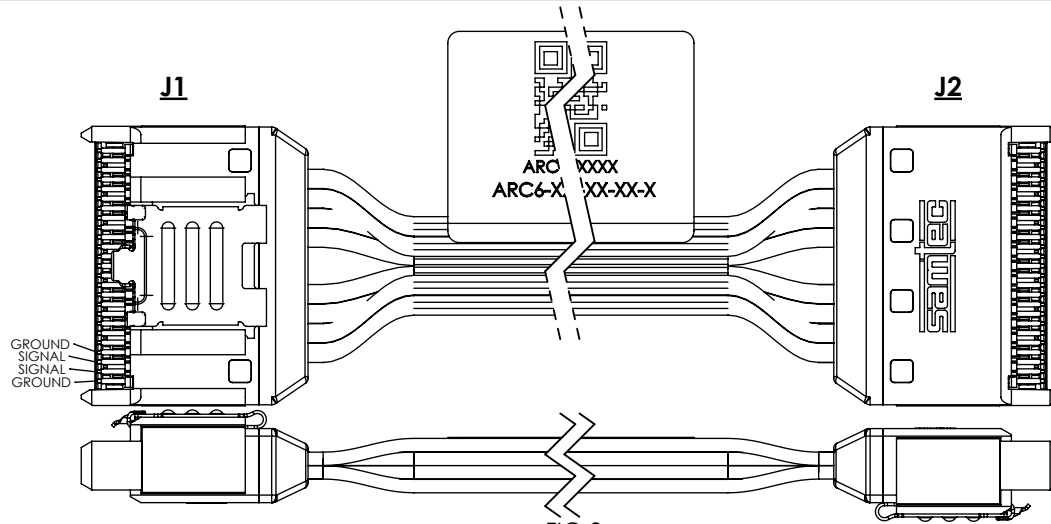
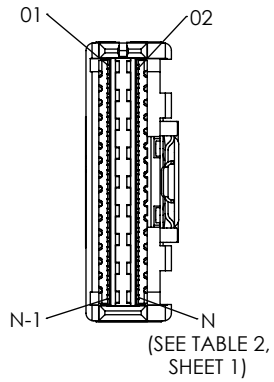


FIG 2  
ARC6-16-XX.X-LU-LD-2-X SHOWN  
(DIFFERENT AS SHOWN, OTHERWISE SAME AS FIG 1)

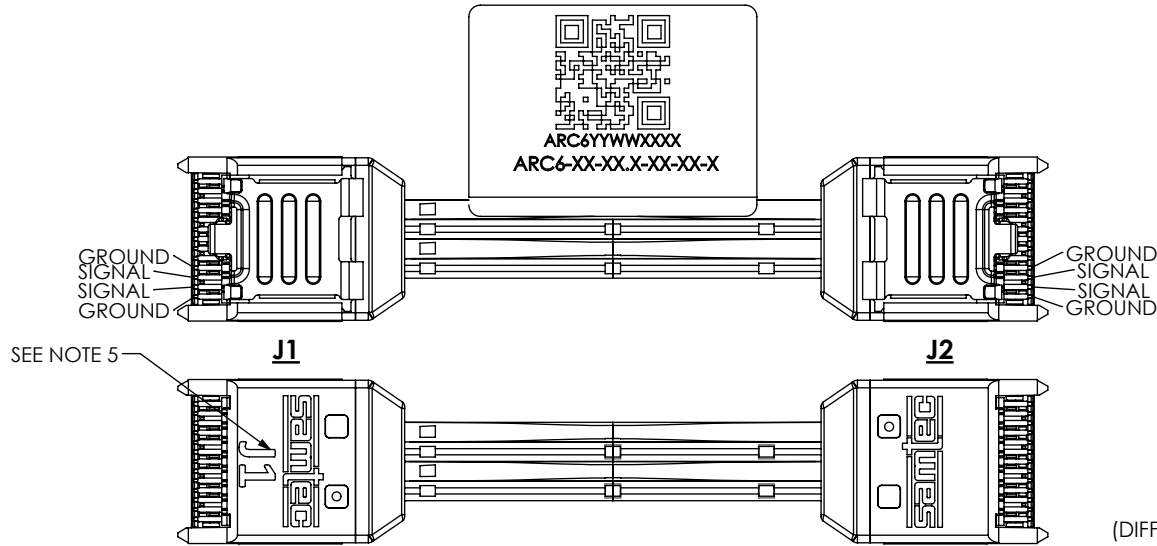
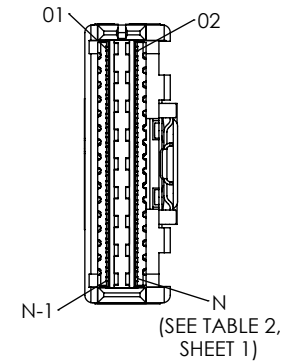


FIG 3  
ARC6-08-XX.X-LU-LU-3R-X SHOWN  
(DIFFERENT AS SHOWN, OTHERWISE SAME AS FIG 1)

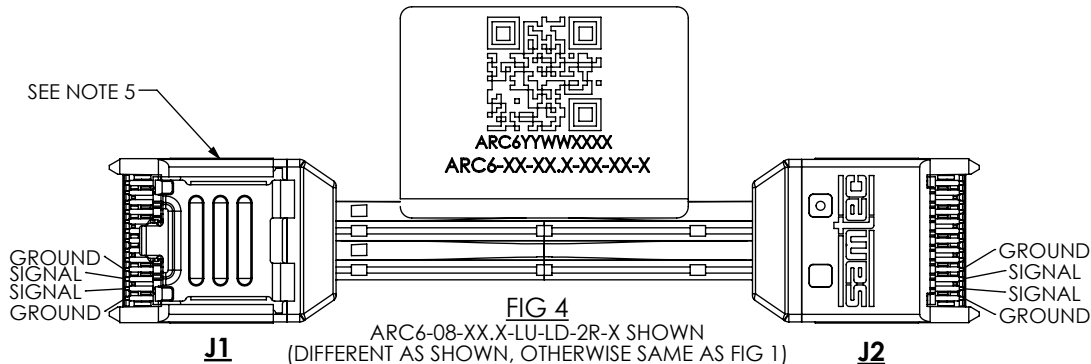


FIG 4  
ARC6-08-XX.X-LU-LD-2R-X SHOWN  
(DIFFERENT AS SHOWN, OTHERWISE SAME AS FIG 1)

**PROPRIETARY NOTE**  
THIS DOCUMENT CONTAINS CONFIDENTIAL AND PROPRIETARY INFORMATION AND ALL DESIGN, MANUFACTURING, REPRODUCTION, USE, PATENT RIGHTS AND SALES RIGHTS ARE EXPRESSLY RESERVED BY SAMTEC, INC. THIS DOCUMENT SHALL NOT BE DISCLOSED, IN WHOLE OR PART, TO ANY UNAUTHORIZED PERSON OR ENTITY NOR REPRODUCED, TRANSFERRED OR INCORPORATED IN ANY OTHER PROJECT IN ANY MANNER WITHOUT THE EXPRESS WRITTEN CONSENT OF SAMTEC, INC.

DO NOT SCALE DRAWING  
SHEET SCALE: 2:1



520 PARK EAST BLVD, NEW ALBANY, IN 47150  
PHONE: 812-944-6733 FAX: 812-948-5047  
e-Mail: info@SAMTEC.com code 55322

DESCRIPTION: **ARC6 CABLE ASSEMBLY**  
DWG. NO. **ARC6-XX-XX.X-XX-XX-XX-X**  
BY: **JOE Z** 08/12/2017 SHEET 2 OF 4

ARC6-08-XX.X-XX-XX-XX-X SIGNAL MAPPING																													
WIRING OPTION	POSITIONS																												
-2 (PIN1 TO PIN 2)	J1	1	3	5	7	9	11	13	15	17	19	21	23	25	2	4	6	8	10	12	14	16	18	20	22	24	26		
	NAME	GND1	PAIR	GND1	PAIR	GND1	PAIR	GND1	PAIR	GND1	PAIR	GND1	PAIR	GND1	GND2	PAIR	GND2	PAIR	GND2	PAIR	GND2	PAIR	GND2	PAIR	GND2	PAIR	GND2	PAIR	GND2
	J2	2	4	6	8	10	12	14	16	18	20	22	24	26	1	3	5	7	9	11	13	15	17	19	21	23	25		
-3 (PIN1 TO PIN N-1)	J1	1	3	5	7	9	11	13	15	17	19	21	23	25	2	4	6	8	10	12	14	16	18	20	22	24	26		
	NAME	GND1	PAIR	GND1	PAIR	GND1	PAIR	GND1	PAIR	GND1	PAIR	GND1	PAIR	GND1	GND2	PAIR	GND2	PAIR	GND2	PAIR	GND2	PAIR	GND2	PAIR	GND2	PAIR	GND2	PAIR	GND2
	J2	25	23	21	19	17	15	13	11	9	7	5	3	1	26	24	22	20	18	16	14	12	10	8	6	4	2		
-2R (PIN1 TO PIN 2)	J1	1	3	5	7	9	11	13	15	17	19	21	23	25	2	4	6	8	10	12	14	16	18	20	22	24	26		
	NAME	GND1	PAIR	GND1	PAIR	GND1	PAIR	GND1	PAIR	GND1	PAIR	GND1	PAIR	GND1	GND2	PAIR	GND2	PAIR	GND2	PAIR	GND2	PAIR	GND2	PAIR	GND2	PAIR	GND2	PAIR	GND2
	J2	2	6	4	8	10	12	14	18	16	20	22	24	26	1	3	5	7	11	9	13	15	17	19	23	21	25		
-3R (PIN1 TO PIN N-1)	J1	1	3	5	7	9	11	13	15	17	19	21	23	25	2	4	6	8	10	12	14	16	18	20	22	24	26		
	NAME	GND1	PAIR	GND1	PAIR	GND1	PAIR	GND1	PAIR	GND1	PAIR	GND1	PAIR	GND1	GND2	PAIR	GND2	PAIR	GND2	PAIR	GND2	PAIR	GND2	PAIR	GND2	PAIR	GND2	PAIR	GND2
	J2	25	21	23	19	17	15	13	9	11	7	5	3	1	26	24	22	20	16	18	14	12	10	8	4	6	2		
ALL LIKE NAMED GROUNDS ARE COMMON AND TIED TO CABLE SHIELD																													
ON THE MATING BOARD ASSEMBLY, SAMTEC RECOMMENDS IMPLEMENTING A GND REFERENCE TYING ALL GND'S TOGETHER																													

ARC6-16-XX.X-XX-XX-XX-X SIGNAL MAPPING																												
WIRING OPTION	POSITIONS																											
-2 (PIN1 TO PIN 2)	J1	1	3	5	7	9	11	13	15	17	19	21	23	25	27	29	31	33	35	37	39	41	43	45	47	49		
	NAME	GND1	PAIR	GND1	PAIR	GND1	PAIR	GND1	PAIR	GND1	PAIR	GND1	PAIR	GND1	PAIR	GND1	PAIR	GND1	PAIR	GND1	PAIR	GND1	PAIR	GND1	PAIR	GND1	PAIR	GND1
	J2	2	4	6	8	10	12	14	16	18	20	22	24	26	28	30	32	34	36	38	40	42	44	46	48	50		
	J1	2	4	6	8	10	12	14	16	18	20	22	24	26	28	30	32	34	36	38	40	42	44	46	48	50		
	NAME	GND2	PAIR	GND2	PAIR	GND2	PAIR	GND2	PAIR	GND2	PAIR	GND2	PAIR	GND2	PAIR	GND2	PAIR	GND2	PAIR	GND2	PAIR	GND2	PAIR	GND2	PAIR	GND2	PAIR	GND2
	J2	1	3	5	7	9	11	13	15	17	19	21	23	25	27	29	31	33	35	37	39	41	43	45	47	49		
-3 (PIN1 TO PIN N-1)	J1	1	3	5	7	9	11	13	15	17	19	21	23	25	27	29	31	33	35	37	39	41	43	45	47	49		
	NAME	GND1	PAIR	GND1	PAIR	GND1	PAIR	GND1	PAIR	GND1	PAIR	GND1	PAIR	GND1	PAIR	GND1	PAIR	GND1	PAIR	GND1	PAIR	GND1	PAIR	GND1	PAIR	GND1	PAIR	GND1
	J2	49	47	45	43	41	39	37	35	33	31	29	27	25	23	21	19	17	15	13	11	9	7	5	3	1		
	J1	2	4	6	8	10	12	14	16	18	20	22	24	26	28	30	32	34	36	38	40	42	44	46	48	50		
	NAME	GND2	PAIR	GND2	PAIR	GND2	PAIR	GND2	PAIR	GND2	PAIR	GND2	PAIR	GND2	PAIR	GND2	PAIR	GND2	PAIR	GND2	PAIR	GND2	PAIR	GND2	PAIR	GND2	PAIR	GND2
	J2	50	48	46	44	42	40	38	36	34	32	30	28	26	24	22	20	18	16	14	12	10	8	6	4	2		
-2R (PIN1 TO PIN 2)	J1	1	3	5	7	9	11	13	15	17	19	21	23	25	27	29	31	33	35	37	39	41	43	45	47	49		
	NAME	GND1	PAIR	GND1	PAIR	GND1	PAIR	GND1	PAIR	GND1	PAIR	GND1	PAIR	GND1	PAIR	GND1	PAIR	GND1	PAIR	GND1	PAIR	GND1	PAIR	GND1	PAIR	GND1	PAIR	GND1
	J2	2	6	4	8	10	12	14	18	16	20	22	24	26	30	28	32	34	36	38	42	40	44	46	48	50		
	J1	2	4	6	8	10	12	14	16	18	20	22	24	26	28	30	32	34	36	38	40	42	44	46	48	50		
	NAME	GND2	PAIR	GND2	PAIR	GND2	PAIR	GND2	PAIR	GND2	PAIR	GND2	PAIR	GND2	PAIR	GND2	PAIR	GND2	PAIR	GND2	PAIR	GND2	PAIR	GND2	PAIR	GND2	PAIR	GND2
	J2	1	3	5	7	11	9	13	15	17	19	23	21	25	27	29	31	35	33	37	39	41	43	47	45	49		
-3R (PIN1 TO PIN N-1)	J1	1	3	5	7	9	11	13	15	17	19	21	23	25	27	29	31	33	35	37	39	41	43	45	47	49		
	NAME	GND1	PAIR	GND1	PAIR	GND1	PAIR	GND1	PAIR	GND1	PAIR	GND1	PAIR	GND1	PAIR	GND1	PAIR	GND1	PAIR	GND1	PAIR	GND1	PAIR	GND1	PAIR	GND1	PAIR	GND1
	J2	49	45	47	43	41	39	37	33	35	31	29	27	25	21	23	19	17	15	13	9	11	7	5	3	1		
	J1	2	4	6	8	10	12	14	16	18	20	22	24	26	28	30	32	34	36	38	40	42	44	46	48	50		
	NAME	GND2	PAIR	GND2	PAIR	GND2	PAIR	GND2	PAIR	GND2	PAIR	GND2	PAIR	GND2	PAIR	GND2	PAIR	GND2	PAIR	GND2	PAIR	GND2	PAIR	GND2	PAIR	GND2	PAIR	GND2
	J2	50	48	46	44	40	42	38	36	34	32	28	30	26	24	22	20	16	18	14	12	10	8	4	6	2		
ALL LIKE NAMED GROUNDS ARE COMMON AND TIED TO CABLE SHIELD																												
ON THE MATING BOARD ASSEMBLY, SAMTEC RECOMMENDS IMPLEMENTING A GND REFERENCE TYING ALL GND'S TOGETHER																												

**PROPRIETARY NOTE**  
 THIS DOCUMENT CONTAINS CONFIDENTIAL AND PROPRIETARY INFORMATION AND ALL DESIGN, MANUFACTURING, REPRODUCTION, USE, PATENT RIGHTS AND SALES RIGHTS ARE EXPRESSLY RESERVED BY SAMTEC, INC. THIS DOCUMENT SHALL NOT BE DISCLOSED, IN WHOLE OR PART, TO ANY UNAUTHORIZED PERSON OR ENTITY NOR REPRODUCED, TRANSFERRED OR INCORPORATED IN ANY OTHER PROJECT IN ANY MANNER WITHOUT THE EXPRESS WRITTEN CONSENT OF SAMTEC, INC.



DO NOT SCALE DRAWING  
 SHEET SCALE: 2:1

DESCRIPTION:  
 ARC6 CABLE ASSEMBLY  
 DWG. NO.  
**ARC6-XX-XX.X-XX-XX-XX-X**  
 BY: JOE Z 08/12/2017 SHEET 3 OF 4

