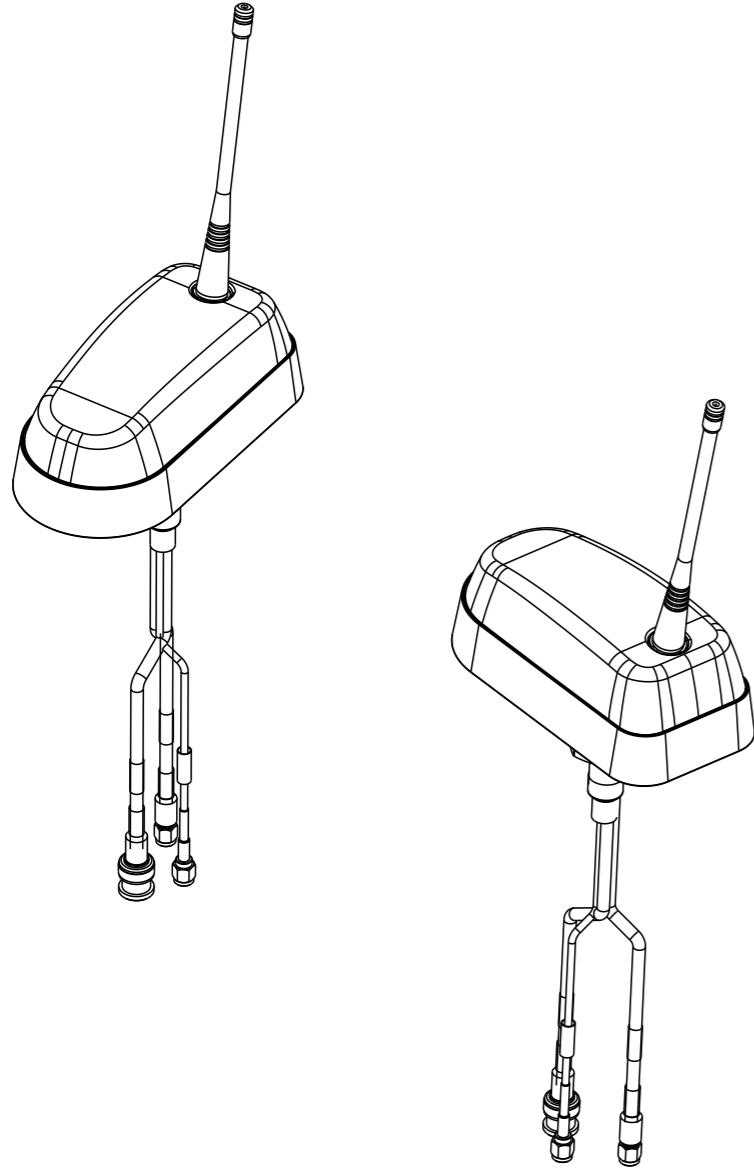


P	LTR	DESCRIPTION	DATE	DWN	APVD
	2	EVT	07FEB2024	YS	WT
	A	INITIAL RELEASED	18APR2024	YS	WT
	A1	ADD IN STUD DETAIL	09MAY2024	YS	WT
	A2	ADD NEW CONFIGURATION	24JUL2024	LC	LL



MECHANICAL SPECIFICATIONS	
Dimensions- L x W x H mm	139.2 x 69.2 x 48.6 mm (Not include Whip)
Weight, kg (lbs)	See Config. Table
Mounting	Bolt Mount
Cable Type	LMR195-type & RG174 (GNSS)
Color	Black
Radome Material	PC, UL94-V0

ENVIRONMENTAL SPECIFICATIONS	
Operating Environment	Outdoor Vehicle
Operating Temperature, °C (°F)	-30 to +70 (-22 to +158)
Storage Temperature, °C (°F)	-40 to +85 (-40 to +185)
Ingress Protection (Main Antenna)	IP67, IP69K
Wind Operational	Simulated 100 mph for 1 minute load
Wind Survival	Simulated 136 mph for 15 second load
Material Substance Compliance	RoHS Compliant

Item	TCPN	No. of Ports	Cable End Connector Type (No. of Ports)			Weight, kg (lbs)	Alias
			Wi-Fi	GNSS	Whip (UHF)		
1	L000573-02	3	SMA-M (1)	SMA-M (1)	BNC-M (1)	0.72 (1.59)	VCT24718B1JUB-500AS
2	L000573-03	2	X	SMA-M (1)	BNC-M (1)	0.56 (1.23)	VCD35032BNJUB-500AT
2	L000573-04	2	X	SMA-M (1)	TNC-M (1)	0.56 (1.23)	VCD35032BNJUB-500AV
2	L000573-05	3	SMA-M (1)	SMC-M (1)	BNC-M (1)	0.72 (1.59)	VCT24718B1JUB-500AW
2	L000573-06	2	X	SMC-M (1)	BNC-M (1)	0.56 (1.23)	VCD35032BNJUB-500AX

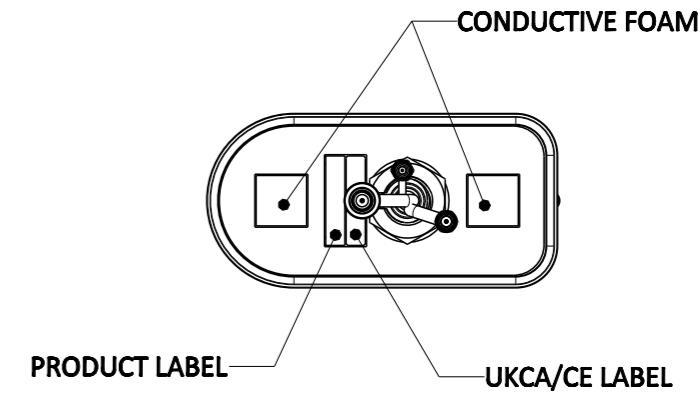
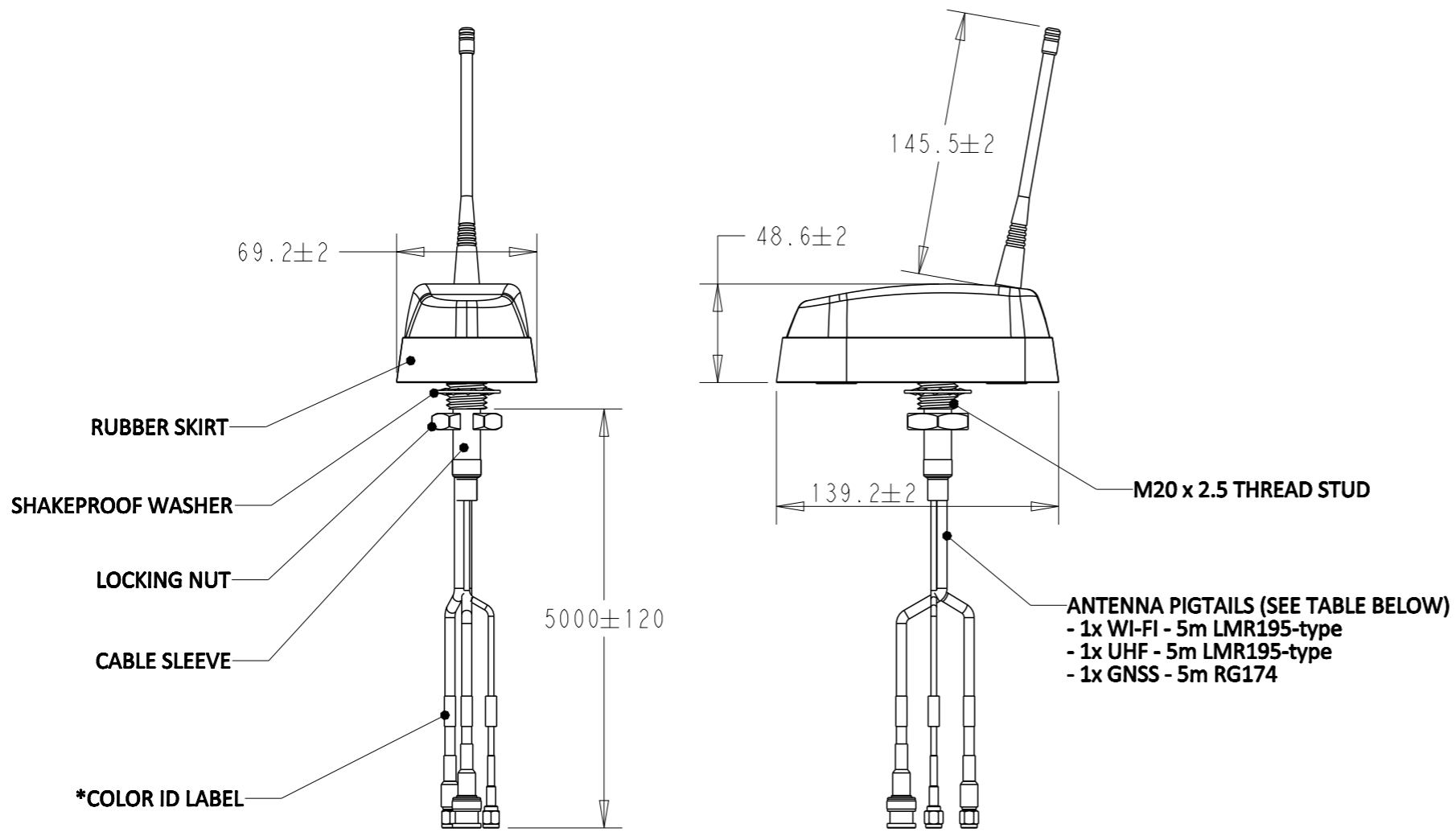
THIS DRAWING IS A CONTROLLED DOCUMENT.

DIMENSIONS:	TOLERANCES UNLESS OTHERWISE SPECIFIED:
mm	
	0 PLC ±0.5
	1 PLC ±0.25
	2 PLC ±0.13
	3 PLC ±-
	4 PLC ±-
	ANGLES ±-
MATERIAL	FINISH
-	-
-	-

DWN	08SEP2023
YS TAN	
CHK	08SEP2023
TY NG	
APVD	08SEP2023
WT NG	
PRODUCT SPEC	-
APPLICATION SPEC	-
WEIGHT	-
CUSTOMER DRAWING	

PRELIMINARY			
STE		TE Connectivity	
VEHICLE ANTENNA WI-FI, GNSS, UHF			
SIZE	CAGE CODE	DRAWING NO	RESTRICTED TO
A3	00779	©-L000573	-
SCALE 1:4		SHEET 1 OF 2	REV A2

P	LTR	DESCRIPTION	DATE	DWN	APVD
-	-	SEE SHEET 1	-	-	-


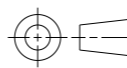


*SEE PORT INDICATION TABLE FOR DETAIL

Item	TCPN	No. of Ports	Cable End Connector Type (No. of Ports)			Weight, kg (lbs)	Alias
			Wi-Fi	GNSS	Whip (UHF)		
1	L000573-02	3	SMA-M (1)	SMA-M (1)	BNC-M (1)	0.72 (1.59)	VCT24718B1JUB-500AS
2	L000573-03	2	X	SMA-M (1)	BNC-M (1)	0.56 (1.23)	VCD35032BNJUB-500AT
2	L000573-04	2	X	SMA-M (1)	TNC-M (1)	0.56 (1.23)	VCD35032BNJUB-500AV
2	L000573-05	3	SMA-M (1)	SMC-M (1)	BNC-M (1)	0.72 (1.59)	VCT24718B1JUB-500AW
2	L000573-06	2	X	SMC-M (1)	BNC-M (1)	0.56 (1.23)	VCD35032BNJUB-500AX

PORTS INDICATION TABLE

	PRINTED "TEXT"	LABEL COLOR
WI-FI PORT	WLAN 1	RED
WHIP (UHF) PORT	WHIP	GREEN
GNSS PORT	GNSS	WHITE

THIS DRAWING IS A CONTROLLED DOCUMENT.		DWN YS TAN	08SEP2023	 TE Connectivity
DIMENSIONS: mm		CHK TY NG	08SEP2023	
		APVD WT NG	08SEP2023	
TOLERANCES UNLESS OTHERWISE SPECIFIED:		PRODUCT SPEC		NAME VEHICLE ANTENNA WI-FI, GNSS, UHF
0 PLC ±0.5 1 PLC ±0.25 2 PLC ±0.13 3 PLC ± 4 PLC ± ANGLES ±-		APPLICATION SPEC		SIZE A3
MATERIAL		WEIGHT		CAGE CODE 00779
		CUSTOMER DRAWING		DRAWING NO L000573
				RESTRICTED TO
				SCALE 1:4
				SHEET 2 OF 2
				REV A2