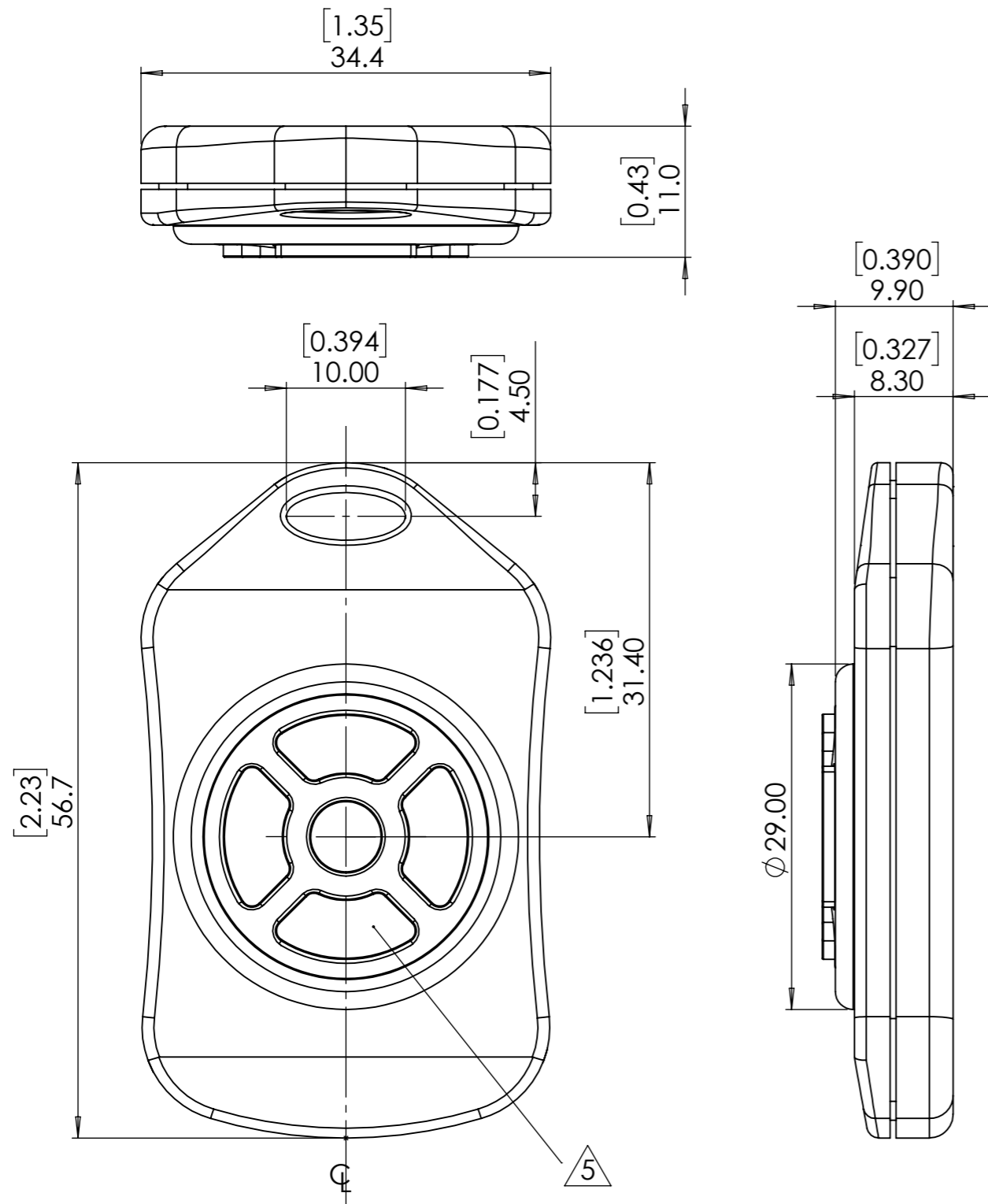


REVISIONS				
REV	DESCRIPTION	DATE	DWN	APVD
A	CUSTOMER DRAWING DRAWING RELEASE	10/13/2023	JH	CM



- MANUFACTURE TO BE COMPLIANT WITH EU RoHS DIRECTIVE, USE MATERIALS THAT DO NOT CONTAIN REACH SUBSTANCES OF VERY HIGH CONCERN 1000ppm, AND USE DRC CONFLICT-FREE SOURCED MATERIALS.
 - ELECTRICAL SPECIFICATIONS** ARE SHOWN FOR REFERENCE ONLY. FOR OPERATING, PAIRING AND USAGE INSTRUCTIONS PLEASE SEE TE DATA SHEET AT LATEST REVISION
 - FREQUENCY: SEE TABLE
 - ELECTRONIC ASSEMBLY IAW IPC-A-610
 - FREQUENCY DESIGNATION REPRESENTED BY "FFF".
 - PROGRAMMING FUNCTION INDICATED BY "PP"
 - ENVIRONMENT:**
 - USAGE TEMPERATURE: -40 TO 85°C
 - KEY SWITCH IS INTENDED FOR A FIVE FUNCTION REMOTE SEE RELATED PARTS LIST FOR MULTI-FUNCTION VARIATIONS
 - USAGE APPLICATION NOTES:**
 - REPLACE BATTERY WITH CR2032 COIN CELL WHEN APPLICABLE. SEE DATA SHEET FOR METHOD
 - AVOID LEAVING UNIT IN PLACES OF HIGH SOLAR LOADING TO PREVENT DAMAGE.
 - AVOID PLACES OF HIGH CHEMICAL CONTENT SUCH AS CHLORINE OR FUEL/HYDRAULIC VAPOR.
 - UNIT SHOULD NOT EXPERIENCE SIGNIFICANT SHOCK FROM DROPPING TO HARD SURFACES. TOP LOOP IS INTENDED FOR A LANYARD NOT A STEEL KEY RING.
- 5 THIS CAN BE A "MADE TO ORDER" OEM PRODUCT. SEE YOUR SALES REPRESENTATIVE FOR DETAILS.
- PACKAGING NOTES:**
- WRAP UNITS IN BUBBLE SLEEVE TO PROTECT FINISH.
 - PACK FLAT 10/ LOT BAG
 - PLACE IN CONTAINER OF 150 UNITS

TABULATION MATRIX

TCPN	DESCRIPTION	PRODUCT REVISION
OTX-418-HH-KF5-DS	REMOTE DS 418MHZ OOK AM 5BTN KF TX FCC	B
OTX-418-HH-KF5-HT	REMOTE HT 418MHZ OOK AM 5BTN KF TX FCC	B
OTX-418-HH-KF5-MS	REMOTE MS 418MHZ OOK AM 5BTN KF TX FCC	B
OTX-433-HH-KF5-DS	REMOTE DS 433MHZ OOK AM 5BTN KF TX FCC	B
OTX-433-HH-KF5-HT	REMOTE HT 433MHZ OOK AM 5BTN KF TX FCC	B
OTX-433-HH-KF5-MS	REMOTE MS 433MHZ OOK AM 5BTN KF TX FCC	B

THIS DRAWING IS A CONTROLLED DOCUMENT.

DIMENSIONS: mm [INCH]	TOLERANCES UNLESS OTHERWISE SPECIFIED: 0 PLC ± 2.0 1 PLC ± 1.0 2 PLC ± .50 3 PLC ± 4 PLC ± ANGLES ± 30'
MATERIAL PC DK-P	FINISH

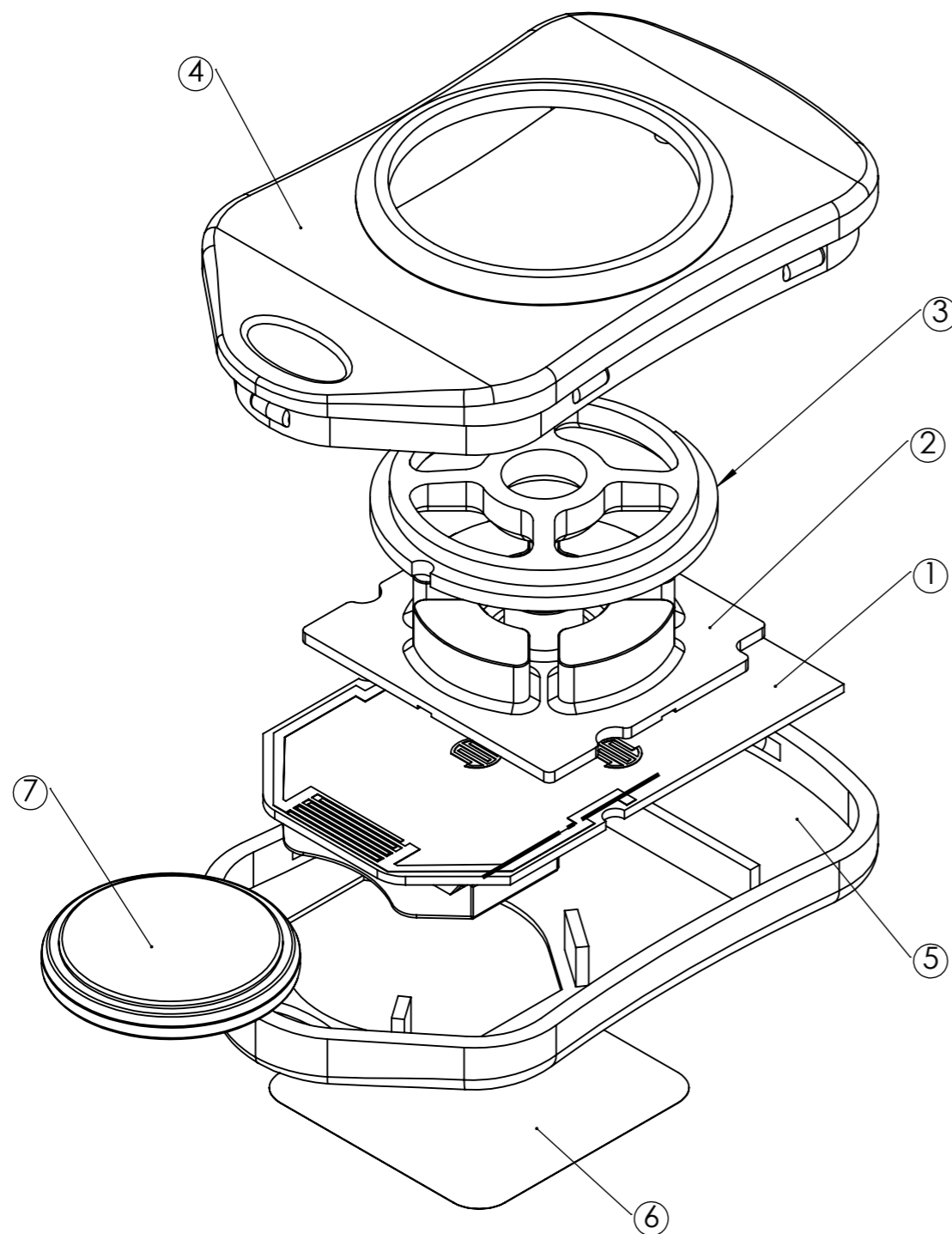
DWN	10/13/23
JHAGER	
CHK	10/13/23
CLEWIS	
APVD	10/13/23
CMURPHY	
PRODUCT SPEC	
APPLICATION SPEC	
WEIGHT	0.03 g

TE TE Connectivity

NAME
REMOTE HANDHELD FFFMHz OOK
AM 5BTN KF TX FCC

SIZE	CAGE CODE	DRAWING NO	RESTRICTED TO
A3	00779	OTX-FFF-HH-KF5-PP	-

CUSTOMER DRAWING SCALE 2:1 SHEET 1 OF 2 REV A



LIST OF ITEMS AND MATERIALS	
ITEM	DESCRIPTION
1	OTX TRANSMITTER ASSEMBLY
2	KF5 5 FUNCTION ACTIVATION KEY-PAD
3	KF5 5 FUNCTION ACTIVATION KEY-PAD INSERT
4	KEY-FOB TRANSMITTER HOUSING TOP
5	KEY-FOB TRANSMITTER HOUSING BTM
6	KEY-FOB FCC IDENTIFICATION LABEL
7	BATCOIN001

THIS DRAWING IS A CONTROLLED DOCUMENT.

DIMENSIONS: mm	TOLERANCES UNLESS OTHERWISE SPECIFIED: 0 PLC 1 PLC SEE SHEET 1 FOR TOLERANCE LIST 2 PLC 3 PLC ± 4 PLC ± ANGLES ± 30'

MATERIAL FINISH

PRODUCT SPEC	—
APPLICATION SPEC	—
WEIGHT	0.03 g

TE TE Connectivity

NAME
REMOTE HANDHELD FFFMHZ
00K AM 5BTN KF TX FCC

SIZE	CAGE CODE	DRAWING NO	RESTRICTED TO
A3	00779	OTX-FFF-HH-KF5-PP	—

CUSTOMER DRAWING	SCALE 2:1	SHEET 2 OF 2	REV A
------------------	-----------	--------------	-------