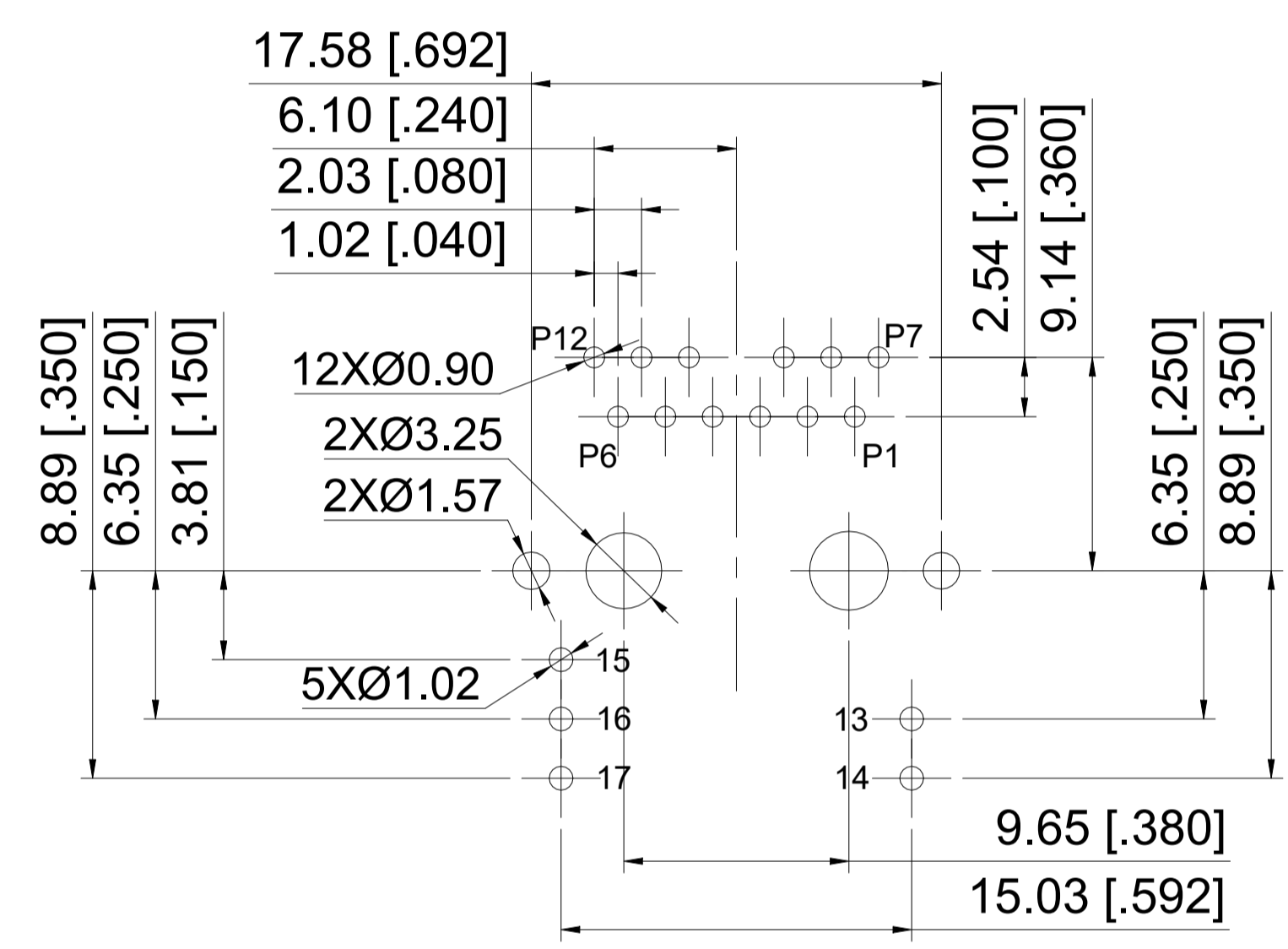
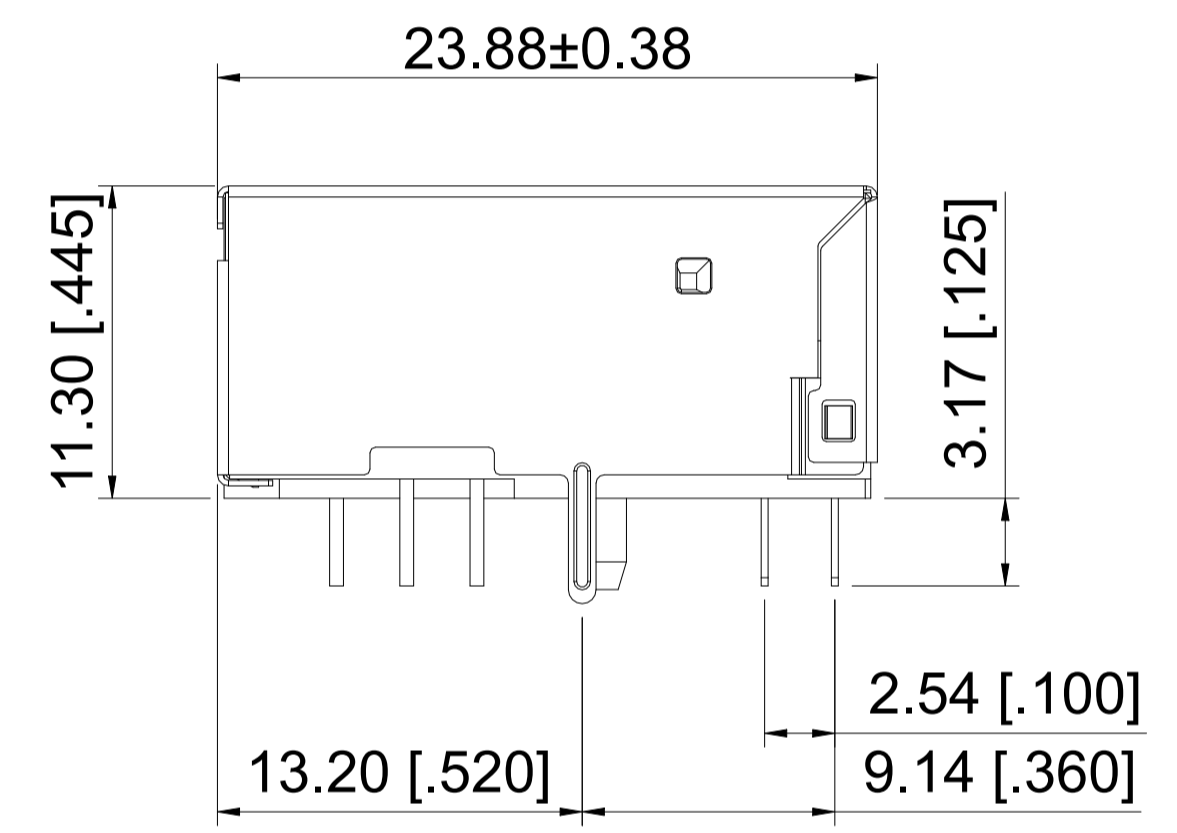
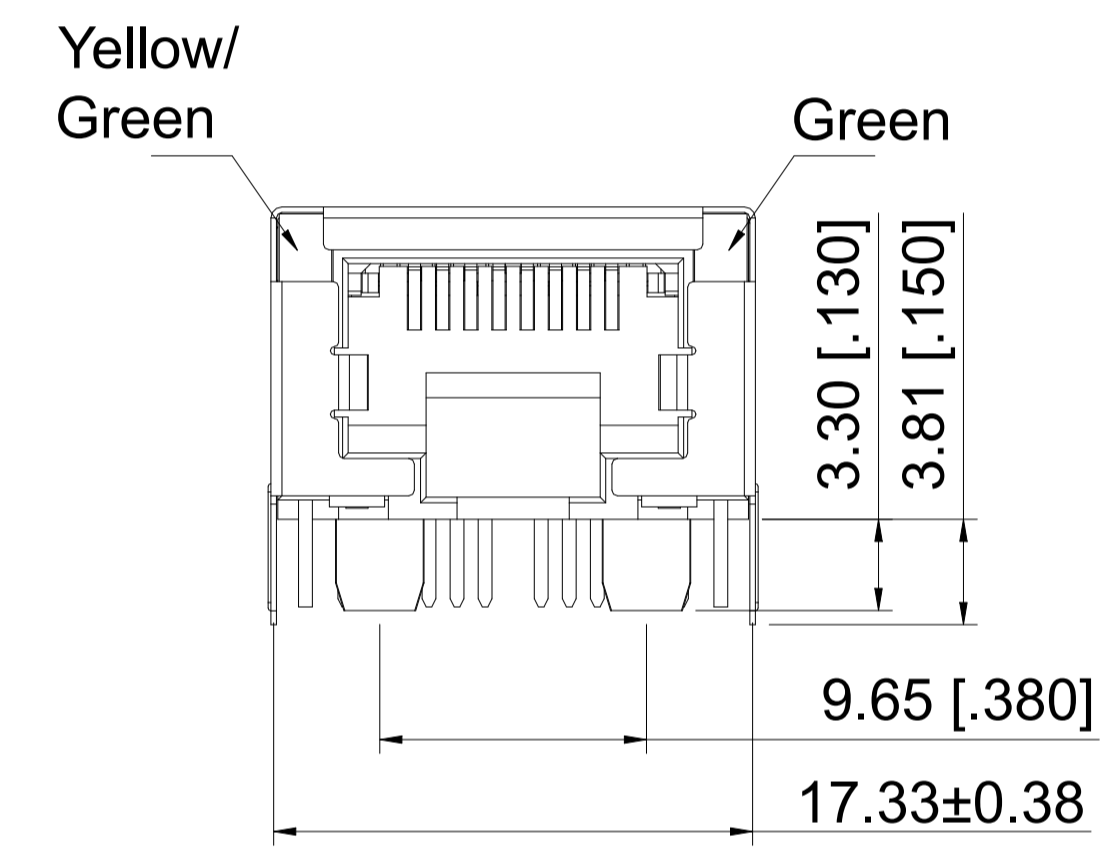
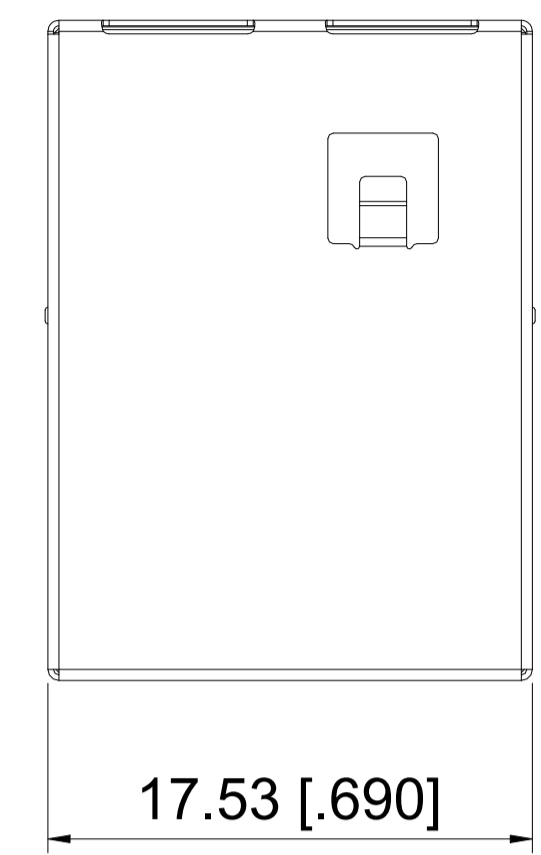


REVISIONS				
REV	DATE	DESCRIPTION	BY	APP'D
A	11JUL2024	INITIAL RELEASE	RK	PSS

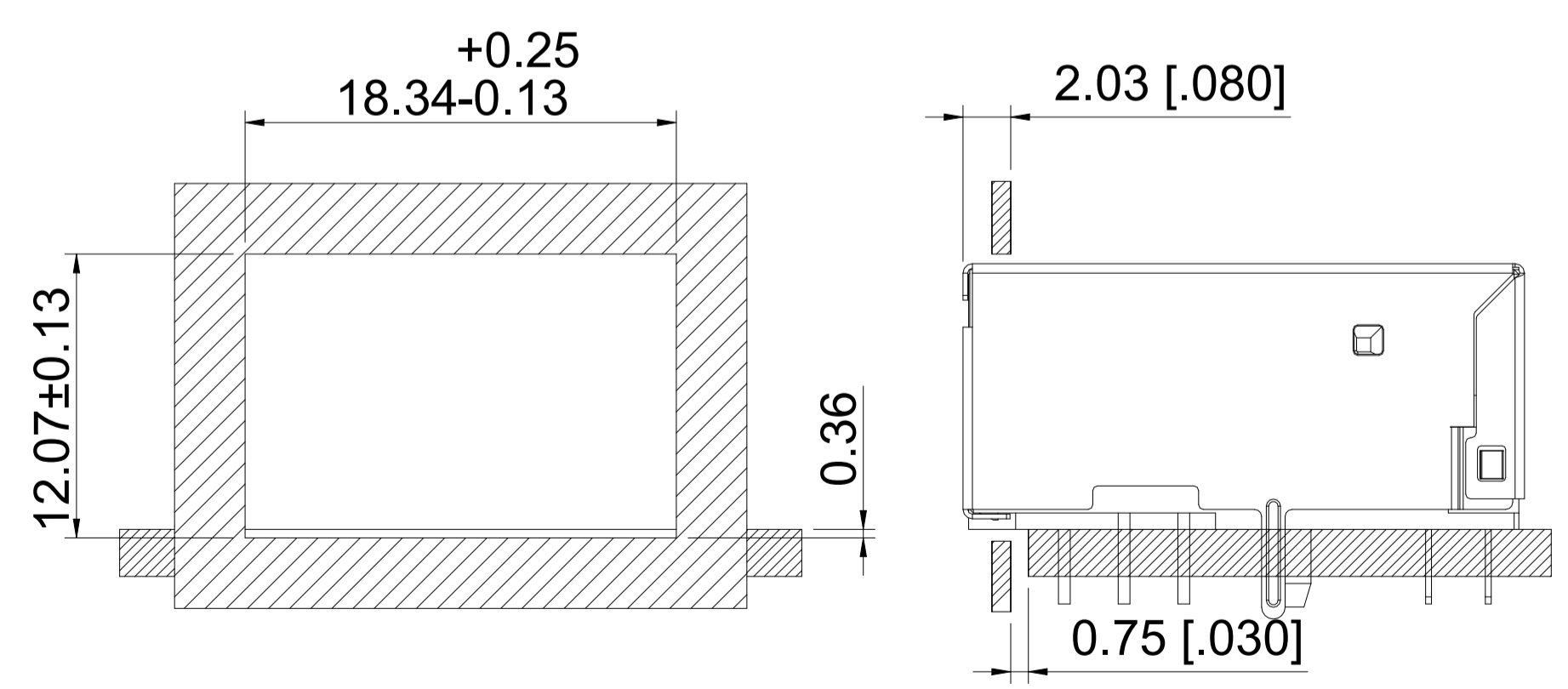
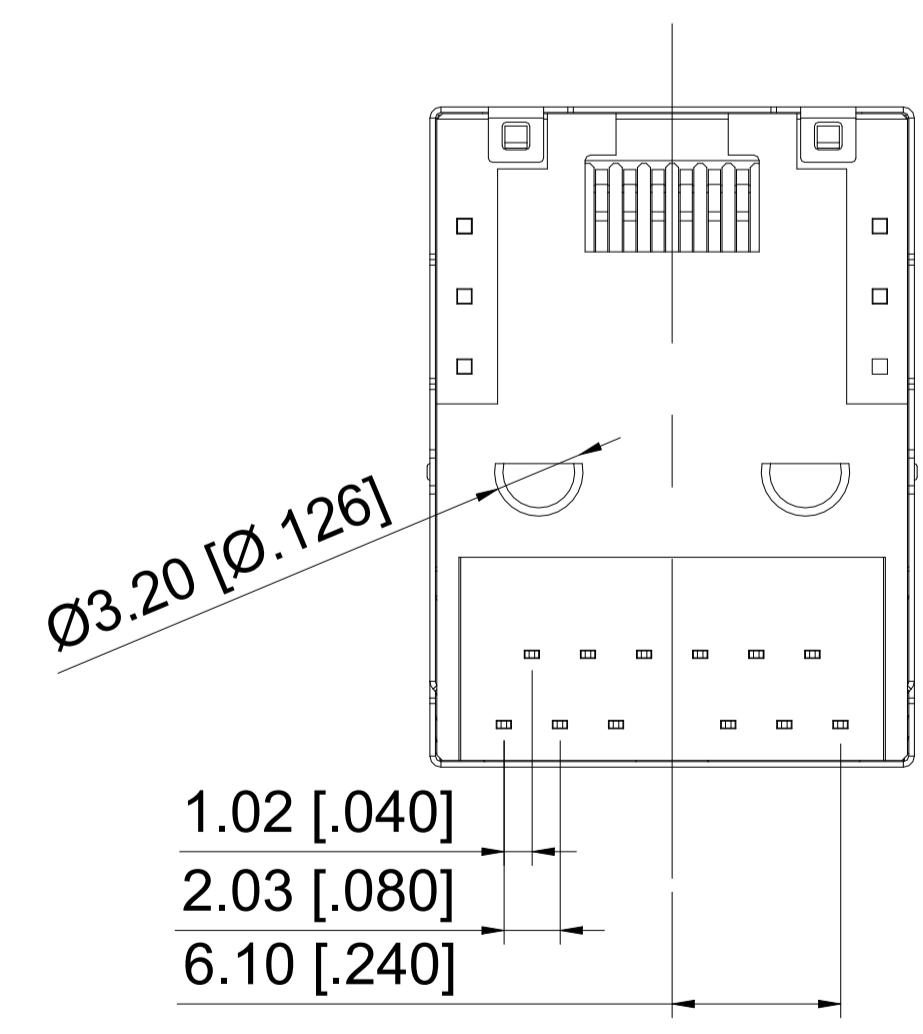
**NOTES:**

- 1.HOUSING MATERIAL:GLASS FILLED PA46(BLACK) UL94V-0(ROHS)
- 2.CONTACT: PHOSPHOR BRONZE,50 MICROINCHES MIN. OVERALL DUCTILE NICKEL UNDERPLATE WITH SELECTED (REFER P/N CHART) MICROINCHES GOLD AT MATING INTERFACE
- 3.SHIELD:0.2mm THICKNESS WITH BRASS.
- 4.JACK CAVITY CONFORMS TO FCC RULES AND REGULATIONS PART 68 SUBPART F
- 5.THE PART IS RECOMMENDED FOR WAVE SOLDERING PROCESS PEAK SOLDERING TEMPERATURE IS 260°C MAX,10 SECS MAX.
- 6.OPERATING TEMPERATURE:0°C TO +70°C.  
STORAGE TEMPERATURE:-40°C TO +85°C.



RECOMMENDED P.C.B LAYOUT  
TOP VIEW (COMPONENT SIDE)

Dimensions Tolerance:  
All PCB LAYOUT  
Tolerances:±0.05[.002]

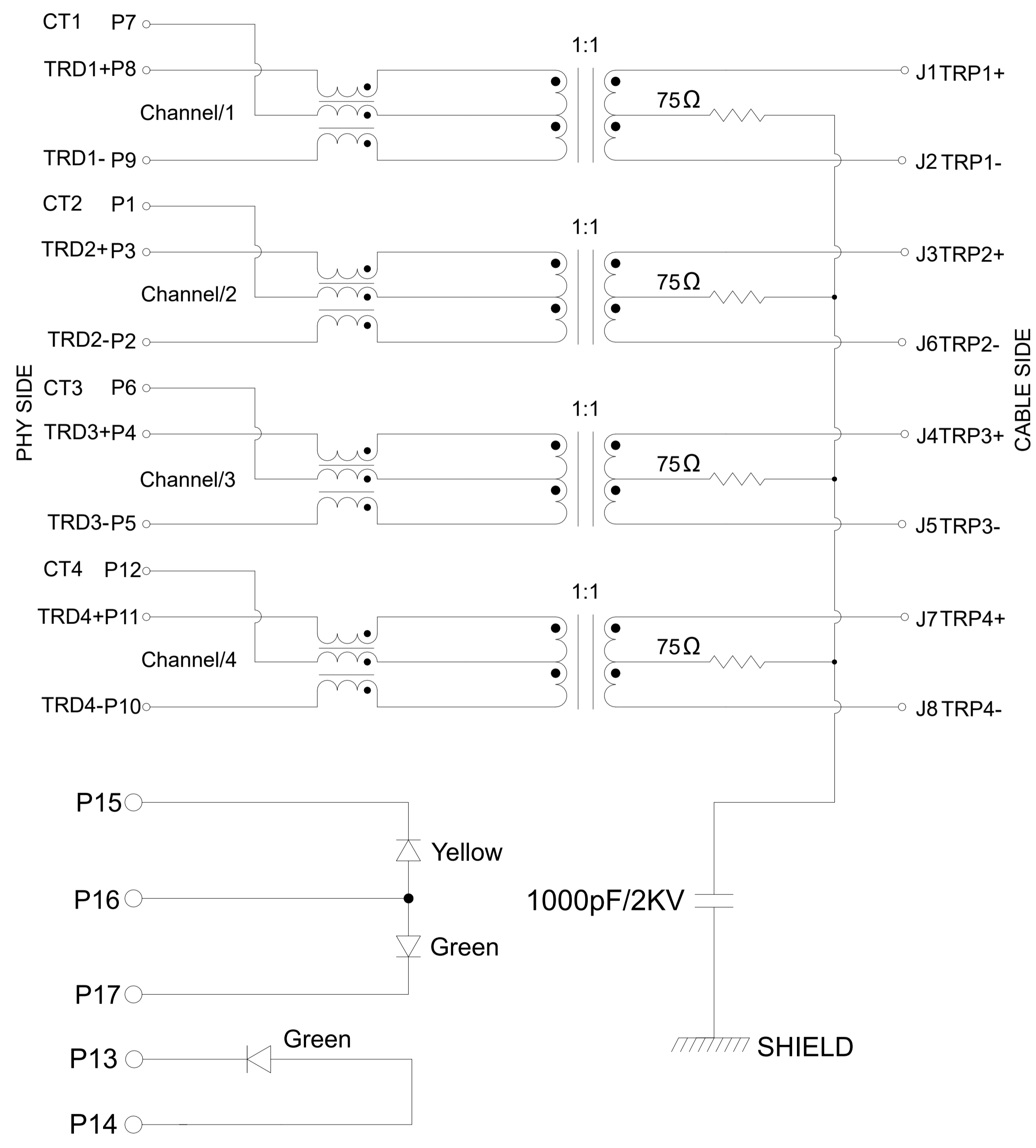


GOLD PLATING THICKNESS	PART NUMBER
0.04572 µm [1.8µ"]	2489084-6
0.0762 µm [3µ"]	2489084-5
0.1524 µm [6µ"]	2489084-4
0.381 µm [15µ"]	2489084-3
0.762 µm [30µ"]	2489084-2
1.27 µm [50µ"]	2489084-1

THIS DRAWING IS A CONTROLLED DOCUMENT.		DWG: RAMESH_KIVADER 12JUN2024 CHK: RAMESH_KIVADER 12JUN2024 APVD: P.S. SATHISH 12JUN2024 PRODUCT SPEC:		<b>STE</b> TE Connectivity	
DIMENSIONS: mm [INCHES] TOLERANCES UNLESS OTHERWISE SPECIFIED: 0. PLC ± 0.10 1. PLC ± 0.25 2. PLC ± 0.25 3. PLC ± 0.25 4. PLC ± 0.25 ANGLES ± 2		NAME: RJ45 1X1 Tab_Down/Through Hole 10G Base-T W/LED APPLICATION SPEC:		SIZE: A1 CAGE CODE: 00779 DRAWING NO: 2489084 WEIGHT: 0	
MATERIAL: FINISH:		CUSTOMER DRAWING		SCALE: 1:1 SHEET: 1 of 2 REV: A	

REVISIONS				
REV	DATE	DESCRIPTION	BY	APP'D
-	-	SEE SHEET 1	-	-

# Schematic



PARAMETER	SPECIFICATIONS
OPERATING TEMPERATURE	0°C To +70°C
TURNS RATIO	1:1±2%
INDUCTANCE(OCL)	120uH MIN@100KHz/100mV With 8mA DC Bias For(Channel1/2/3/4/5)
INSERTION LOSS	-3.0dBMAX@1-500MHz;
RETURN LOSS	-22dBMIN@1-100MHz; -22+20.75xLOG(f/100)dBMIN@100-500MHz;
CROSSTALK (ADJACENT CHANNELS)	-28dBMIN@1-100MHz; -19dBMIN@100-500MHz;
COMMON MODE REJECTION RADIO	-30dBMIN@1-100MHz; -20dBMIN@100-500MHz;
COMMON MODE TO DIFFERENTIAL MODE ATTENUATION	-30dBMIN@1-100MHz; -20dBMIN@100-500MHz;
HI-POT	2250VDC@60 SECONDS(Channel1/2/3/4)

LED SPECIFICATION			
STANDARD LED	WAVELENGTH	Farward V(max)	TYP
GREEN	570nm	2.4V	2.2V
YELLOW	600nm	2.4V	2.1V

\*WITH A FORWARD CURRENT OF 20mA

THIS DRAWING IS A CONTROLLED DOCUMENT.		DIM: RAMESH_KIVADER 12JUN2024 CHK: RAMESH_KIVADER 12JUN2024 APVD: PS_SATHISH 12JUN2024 PRODUCT SPEC: --- APPLICATION SPEC: --- MATERIAL: --- FINISH: ---		TE Connectivity NAME: RJ45 1X1 Tab_Down/Through Hole 10G Base-T W/LED SIZE: A1 CAGE CODE: 00779 DRAWING NO: 2489084 RESTRICTED TO: --- WEIGHT: --- SCALE: 1:1 SHEET 2 OF 2 REV: A	
DIMENSIONS: mm [INCHES] TOLERANCES UNLESS OTHERWISE SPECIFIED: 0. PLC ± 0.10 1. PLC ± 0.25 2. PLC ± 0.25 3. PLC ± 0.25 4. PLC ± 0.25 ANGLES ± 2°		CUSTOMER DRAWING			