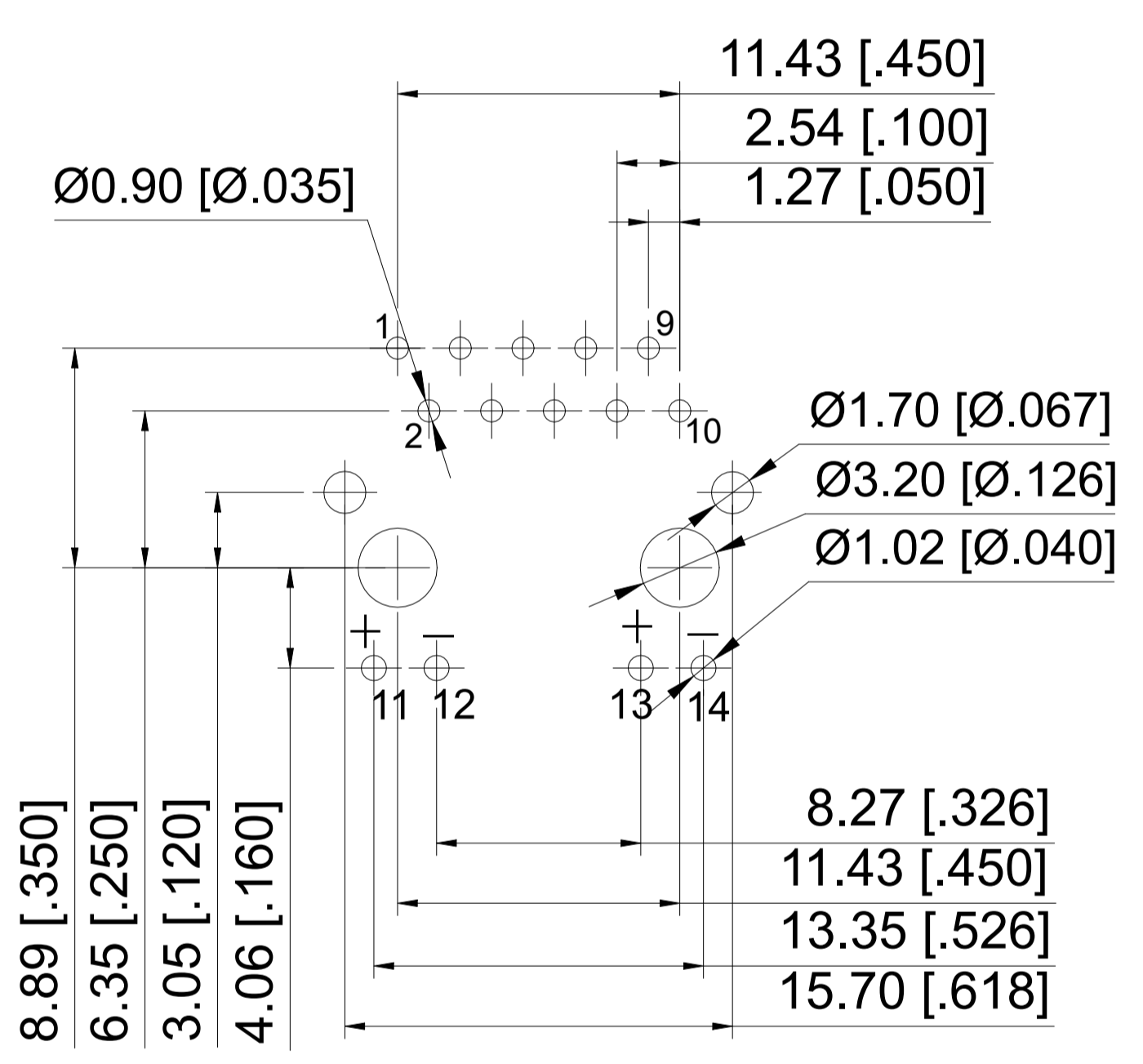
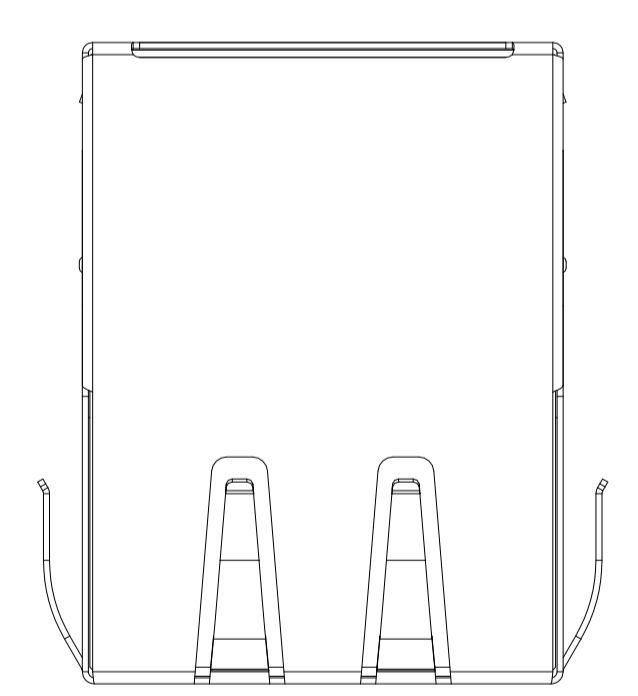
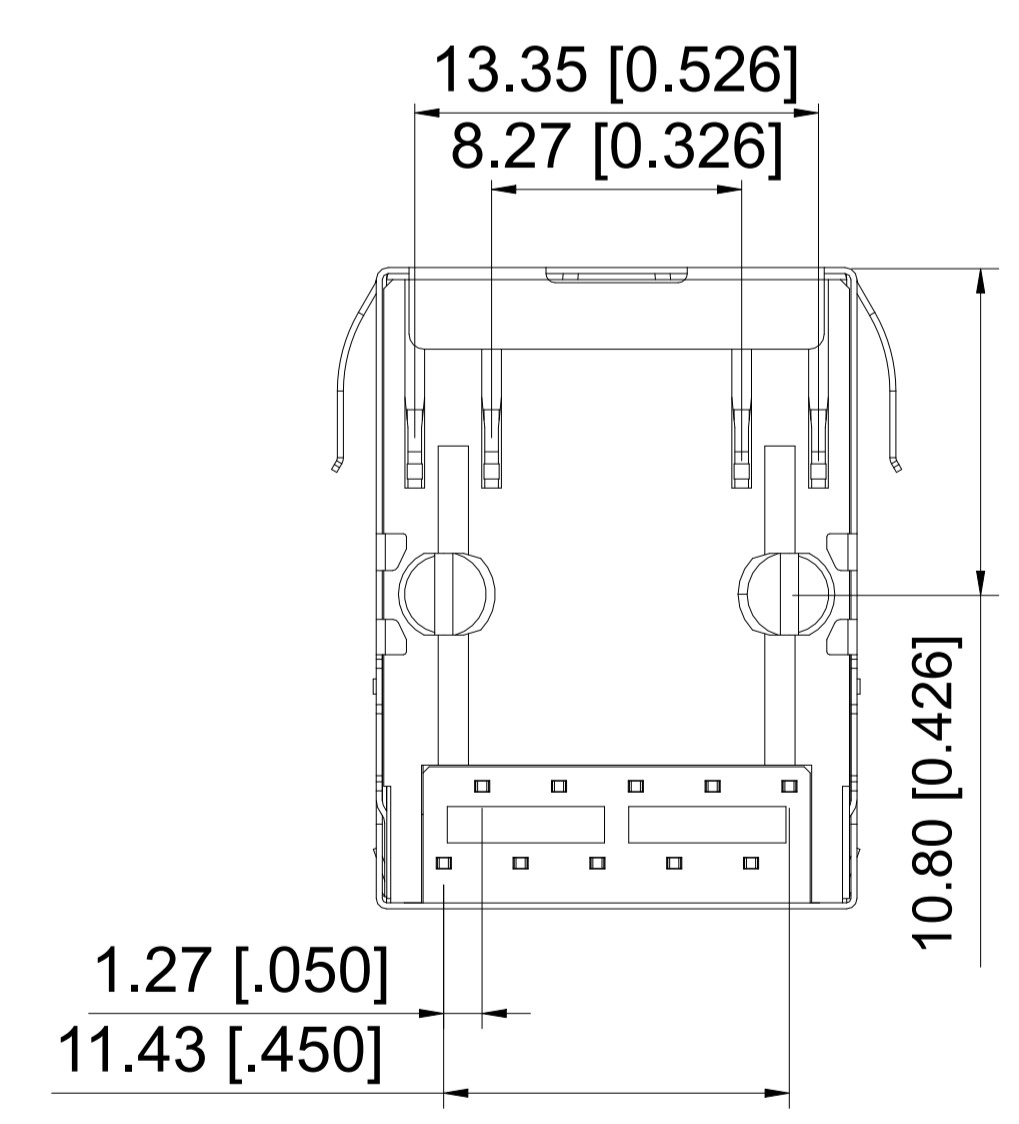
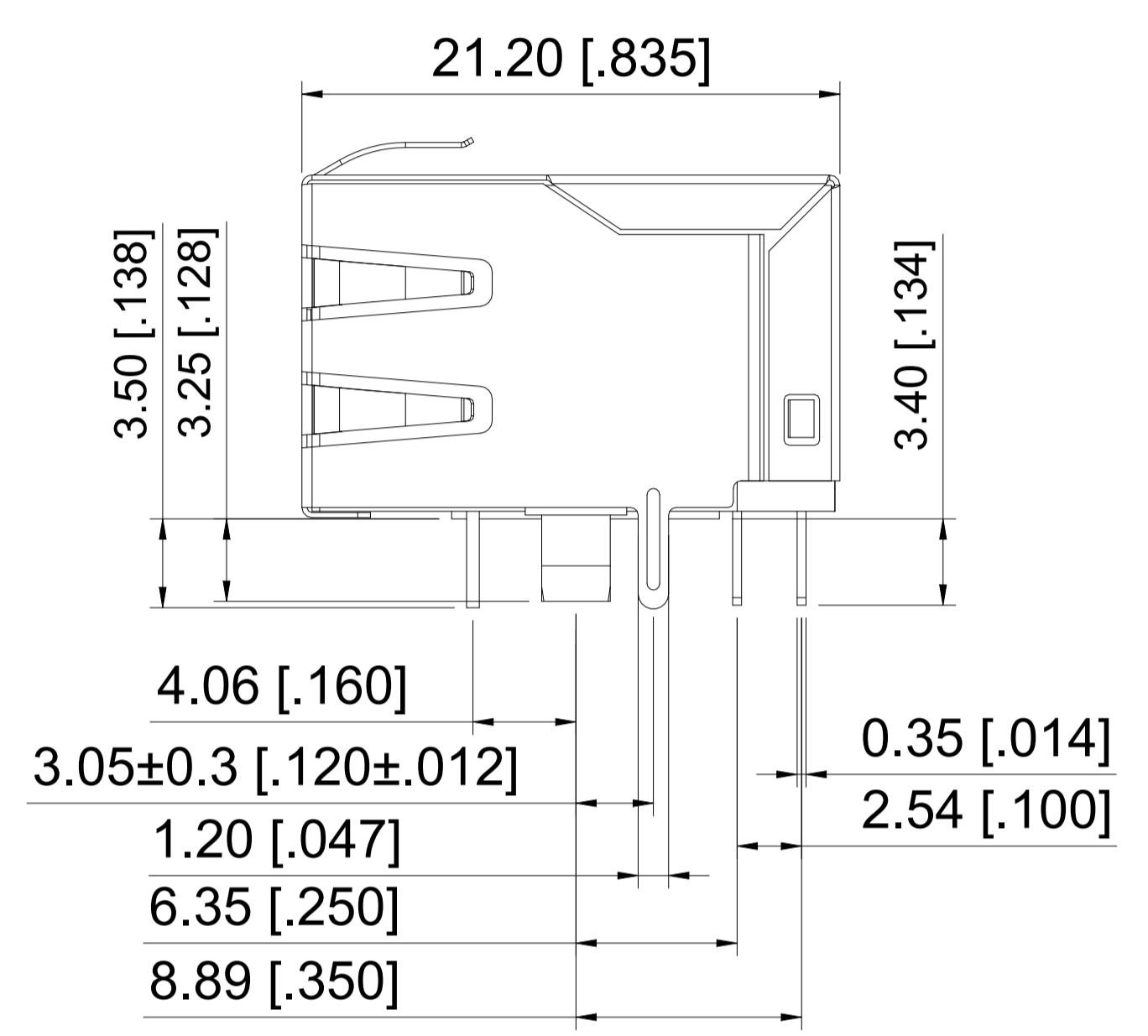
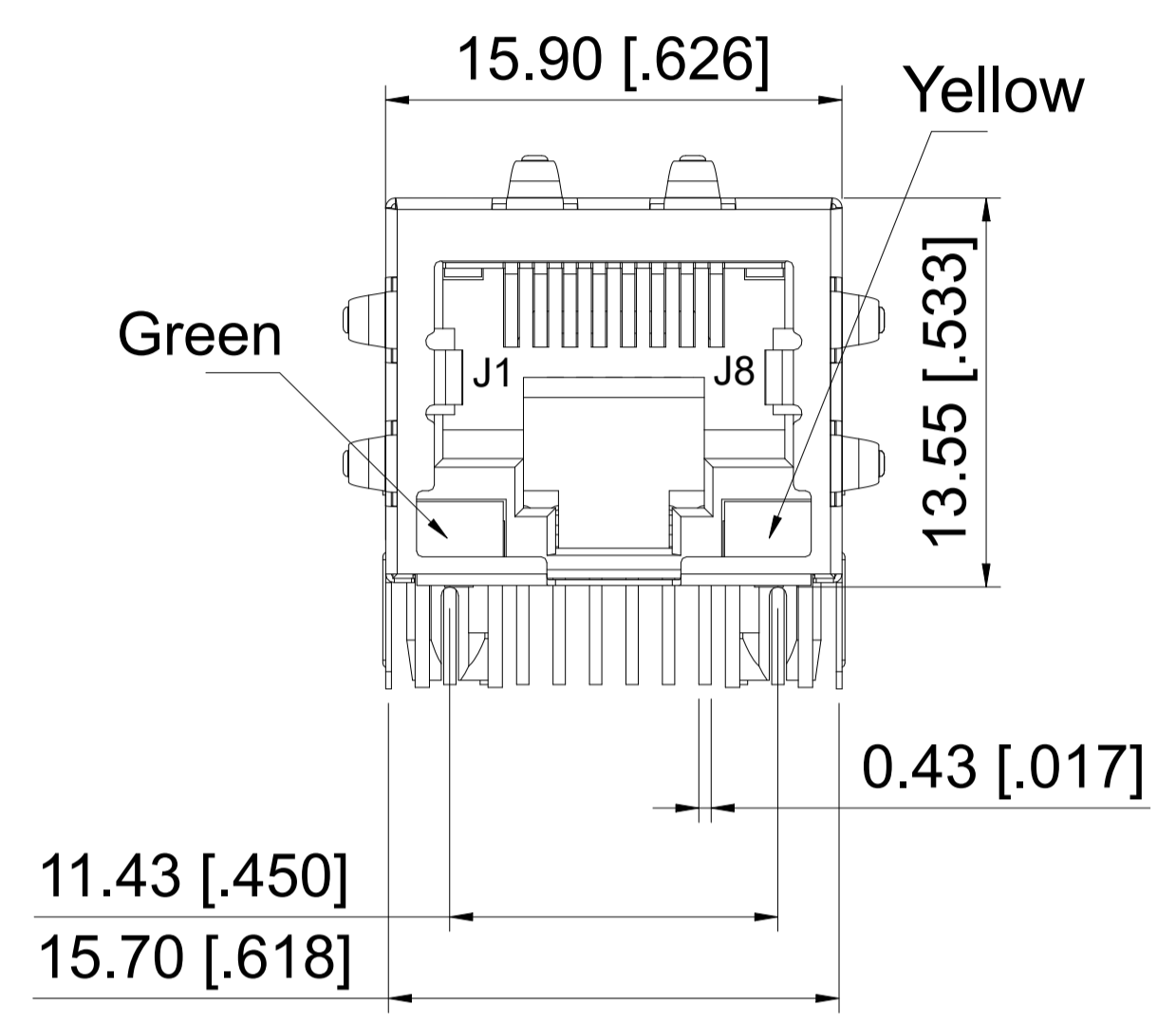


REVISIONS				
REV	DESCRIPTION	DATE	DRN	APVD
A	INITIAL RELEASE	11JUL2024	RK	PSS

**NOTES:**

- 1.HOUSING MATERIAL:GLASS FILLED PA46(BLACK) UL94V-0(ROHS)
- 2.CONTACT: PHOSPHOR BRONZE,50 MICROINCHES MIN. OVERALL DUCTILE NICKEL UNDERPLATE WITH SELECTED (REFER P/N CHART) GOLD AT MATING INTERFACE
- 3.SHIELD:0.2mm THICKNESS WITH BRASS.
- 4.JACK CAVITY CONFORMS TO FCC RULES AND REGULATIONS PART 68 SUBPART F
- 5.THE PART IS RECOMMENDED FOR WAVE SOLDERING PROCESS PEAK SOLDERING TEMPERATURE IS 260°C MAX,10 SECS MAX.
- 6.OPERATING TEMPERATURE:-40°C TO +85°C. STORAGE TEMPERATURE:-40°C TO +85°C.



RECOMMENDED P.C.B LAYOUT  
TOP VIEW (COMPONENT SIDE)

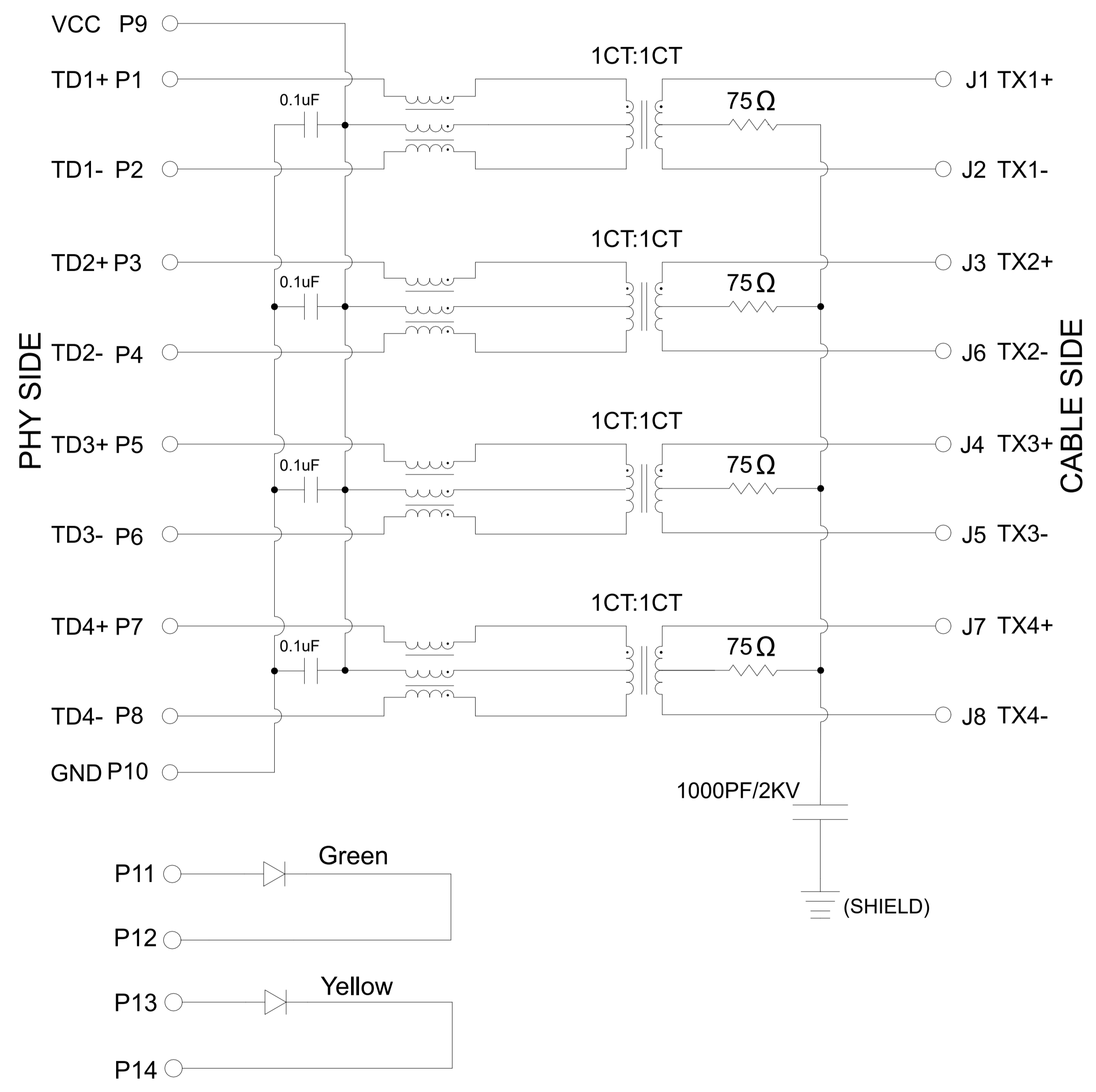
Dimensions Tolerance:  
All PCB LAYOUT  
Tolerances:±0.05[.002]

GF	2489085-6
0.0762 µm [3µ"]	2489085-5
0.1524 µm [6µ"]	2489085-4
0.381 µm [15µ"]	2489085-3
0.762 µm [30µ"]	2489085-2
1.27 µm [50µ"]	2489085-1
<b>GOLD PLATING THICKNESS</b>	<b>PART NUMBER</b>

THIS DRAWING IS A CONTROLLED DOCUMENT.		DIN 12JUN2024		DRN	
DIMENSIONS: mm [INCHES]		TOLERANCES UNLESS OTHERWISE SPECIFIED:		CHK RAMESH KIVADER 12JUN2024	
0. PLC ± 0.10		1. PLC ± 0.25		NAME RAMESH KIVADER	
1. PLC ± 0.25		2. PLC ± 0.25		APVD P.S. SATHISH 12JUN2024	
2. PLC ± 0.25		3. PLC ± 0.25		PRODUCT SPEC	
3. PLC ± 0.25		4. PLC ± 0.25		APPLICATION SPEC	
4. PLC ± 0.25		ANGLES ± 2		SIZE CAGE CODE DRAWING NO. RESTRICTED TO	
MATERIAL		FINISH		WEIGHT 0 A1 00779 C=2489085	
CUSTOMER DRAWING		SCALE 1:1		SHEET 1 OF 2 REV A	

REVISIONS				
REV	DATE	DESCRIPTION	BY	APP'D
-	-	SEE SHEET 1	-	-

# Schematic



PARAMETER	SPECIFICATIONS
OPERATING TEMPERATURE	-40°C To +85°C
URNS RATIO	1:1±2%
OPEN CIRCUIT INDUCTANCE(OCL)	180uH MIN@100KHz/100mV With 8mA DC Bias For(CHANNEL 1,2,3,4)
INSERTION LOSS(IL)	-1.0dB MAX@1MHz-50MHz; -1.5dB MAX@50MHz-125MHz;
RETURN LOSS(RL) (Z out=100 OHM)	-18dB MIN@1MHz-40MHz; -18+15LOG (f/40MHz)dB MIN@40MHz-250MHz;
CROSSTALK (ADJACENT CHANNELS)	-35dB MIN@1MHz-40MHz; -35+15LOG (f/40MHz)dB MIN@40MHz-125MHz;
COMMON MODE REJECTION RATIO(CMRR)	-30dB MIN@1MHz-200MHz;
COMMON TO DIFFERENTIAL MODE REJECTION(REF)	-35dB MIN@1MHz-125MHz;
HI-POT	2250 VDC@60 SECONDS

LED SPECIFICATION			
STANDARD LED	WAVELENGTH	Farward V(max)	TYP
GREEN	565nm	2.4V	2.2V
YELLOW	590nm	2.5V	2.1V

\*WITH A FORWARD CURRENT OF 20mA

THIS DRAWING IS A CONTROLLED DOCUMENT.		DIM: RAMESH_KIVADER 12JUN2024 CHK: RAMESH_KIVADER 12JUN2024 APVD: P.S. SATHISH 12JUN2024 PRODUCT SPEC: - APPLICATION SPEC: - WEIGHT: - CUSTOMER DRAWING: -			
DIMENSIONS: mm [NCHES] TOLERANCES UNLESS OTHERWISE SPECIFIED: 0. PLC ± 0.10 1. PLC ± 0.25 2. PLC ± 0.25 3. PLC ± - 4. PLC ANGLES ± ± 2		NAME: RJ45 1X1 Tab_Down/Through Hole 2.5G Base-T W/LED SIZE: A1 CAGE CODE: 00779 DRAWING NO: C=2489085 SCALE: 1:1 SHEET: 2 of 2 REV: A		RESTRICTED TO: -	