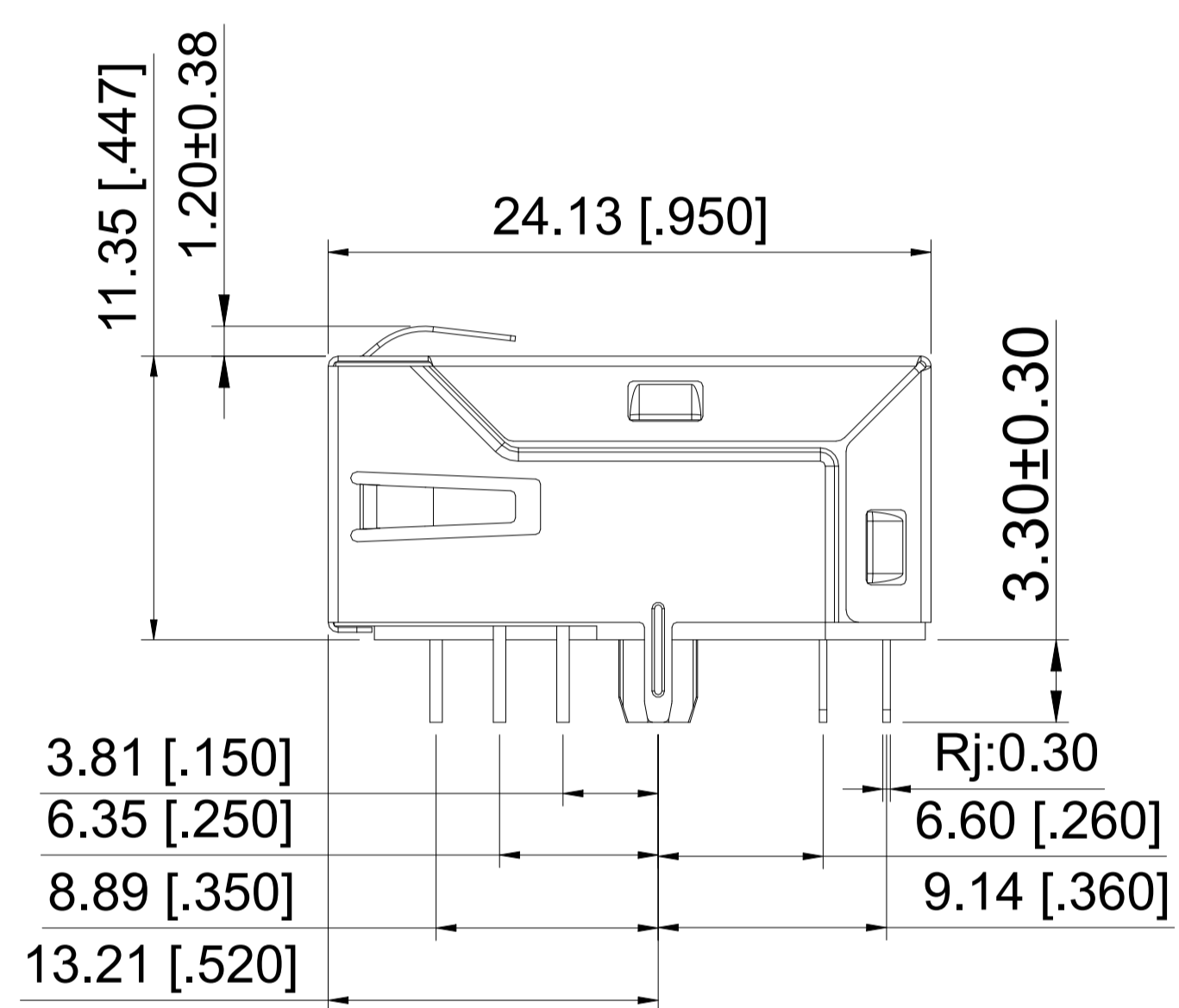
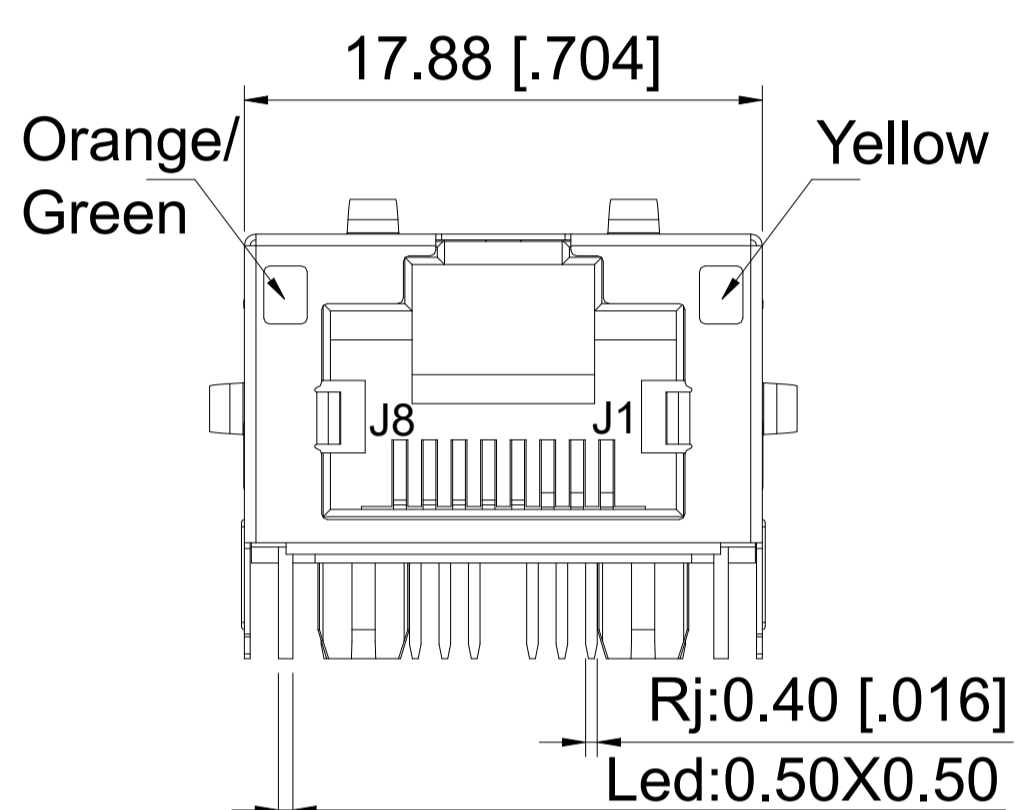
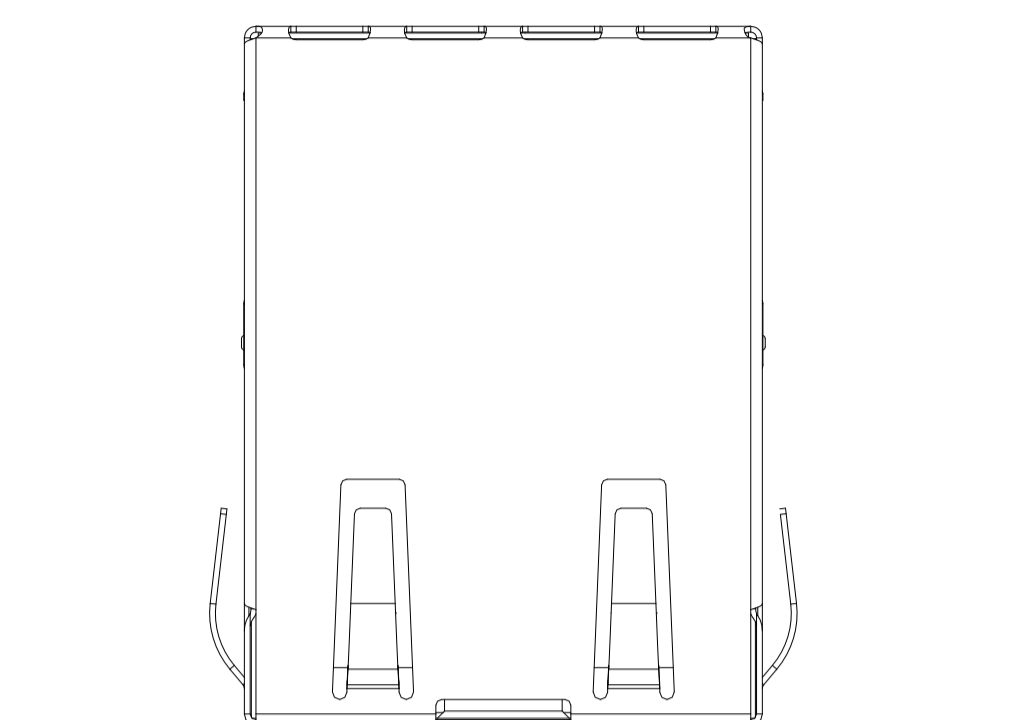


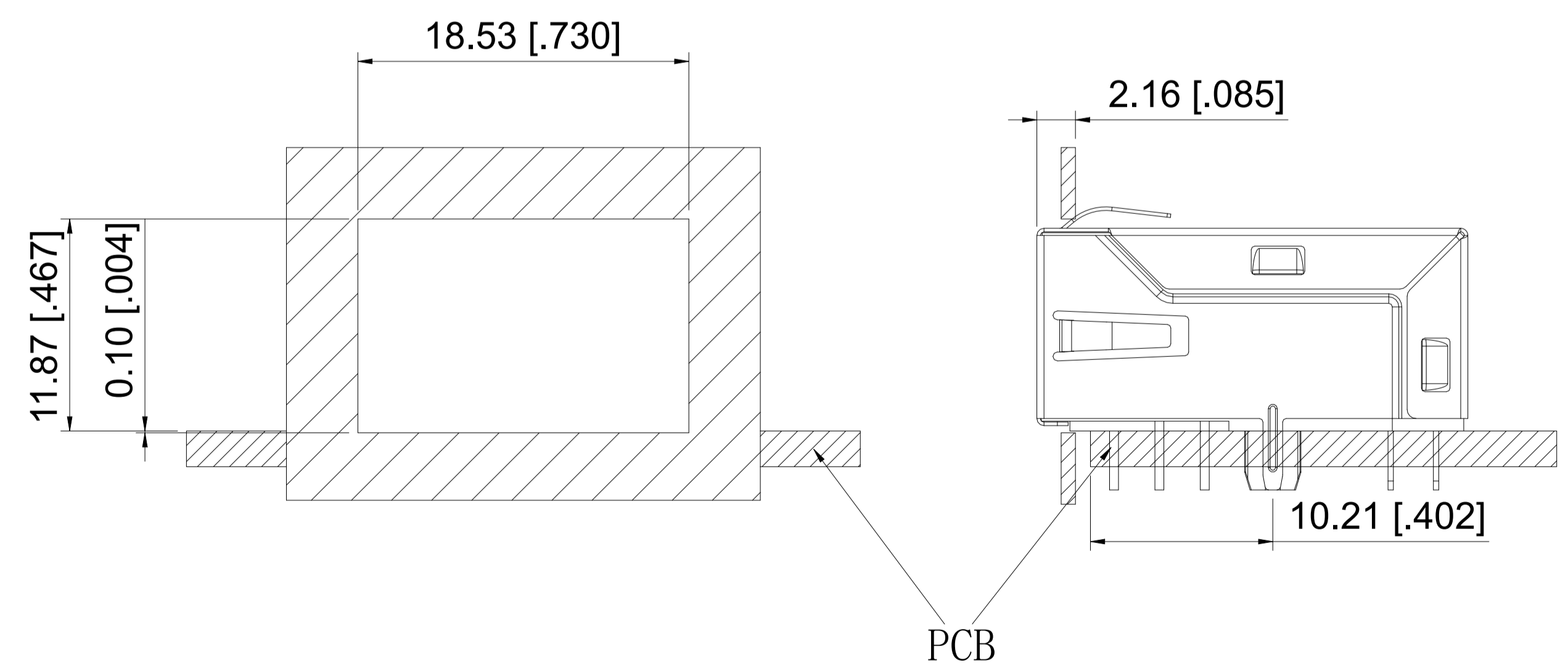
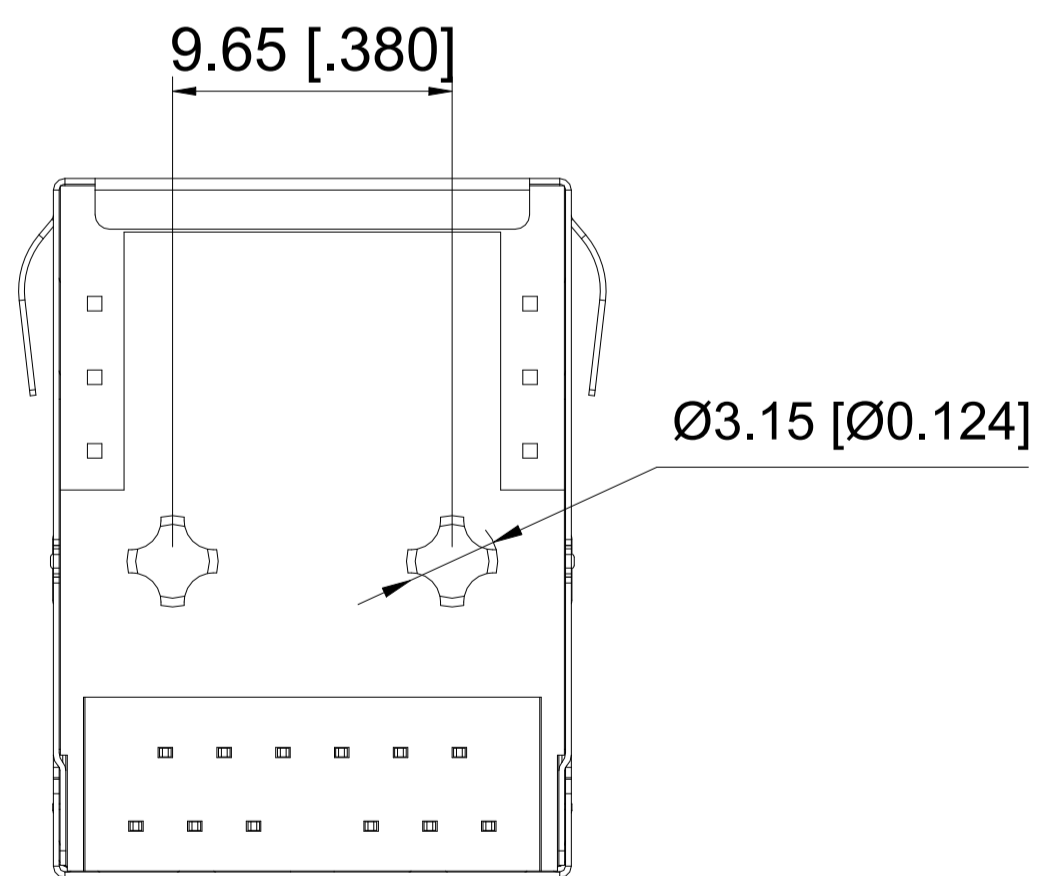
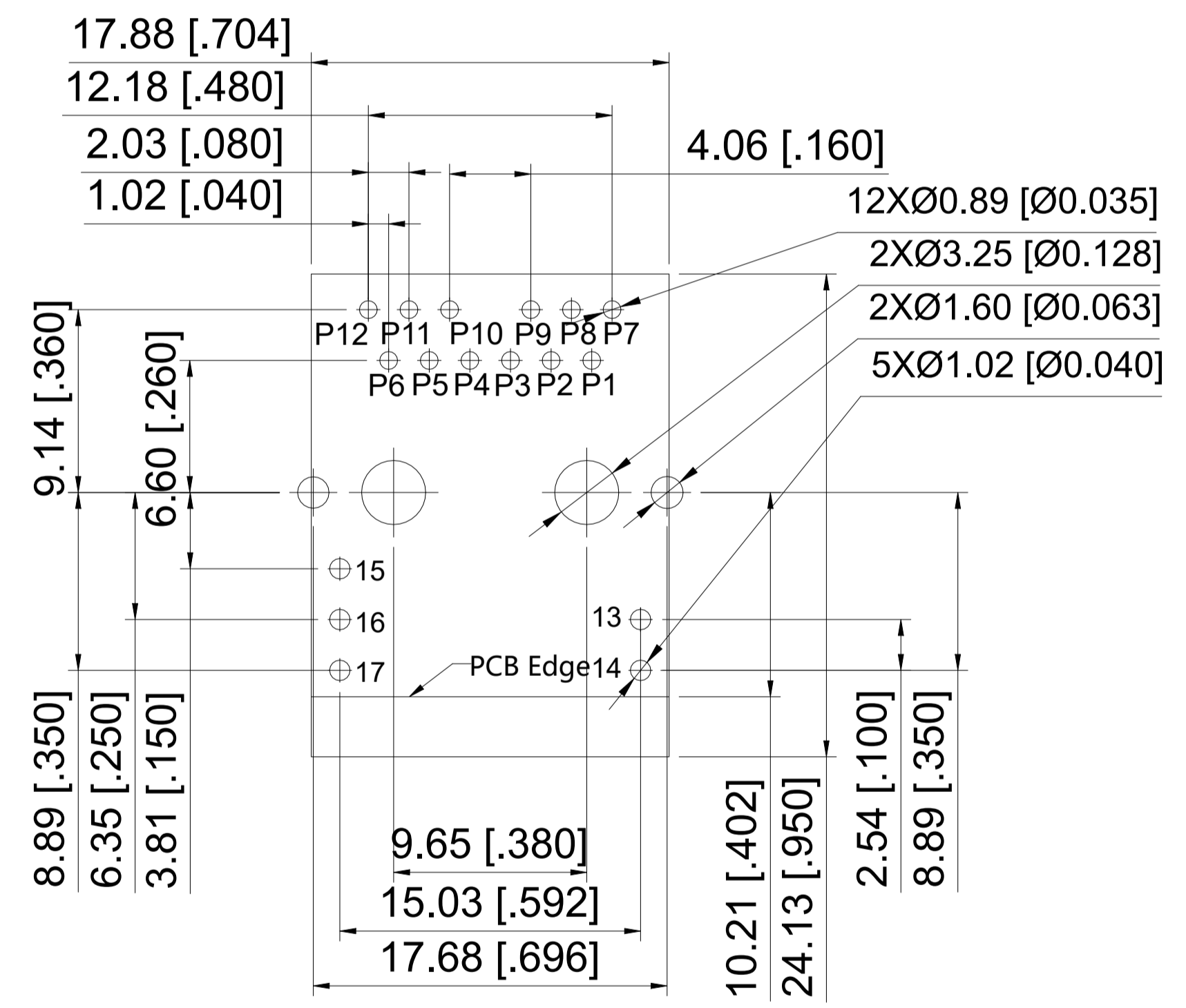
REVISIONS				
REV	DATE	DESCRIPTION	BY	APP'D
A	11JUL2024	INITIAL RELEASE	RK	PSS

NOTES:

- 1.HOUSING MATERIAL:GLASS FILLED LCP(BLACK) UL94V-0(ROHS)
- 2.CONTACT:PHOSPHOR BRONZE.50 MICROINCHES MIN. OVERALL DUCTILE NICKEL UNDERPLATEWITH SELECTED (REFER P/N TABLE) MICROINCHES GOLD AT MATING INTERFA
- 3.SHIELD:0.2mm THICKNESS WITH BRASS.
- 4.JACK CAVITY CONFORMS TO FCC RULES AND REGULATIONS PART 68 SUBPART F
- 5.THE PART IS RECOMMENDED FOR WAVE SOLDERING PROCESS PEAK SOLDERING TEMPERATURE IS 265±5°C , 10 SECS.
- 6.OPERATING TEMPERATURE:-40°C TO +85°C. STORAGE TEMPERATURE:-40°C TO +85°C.



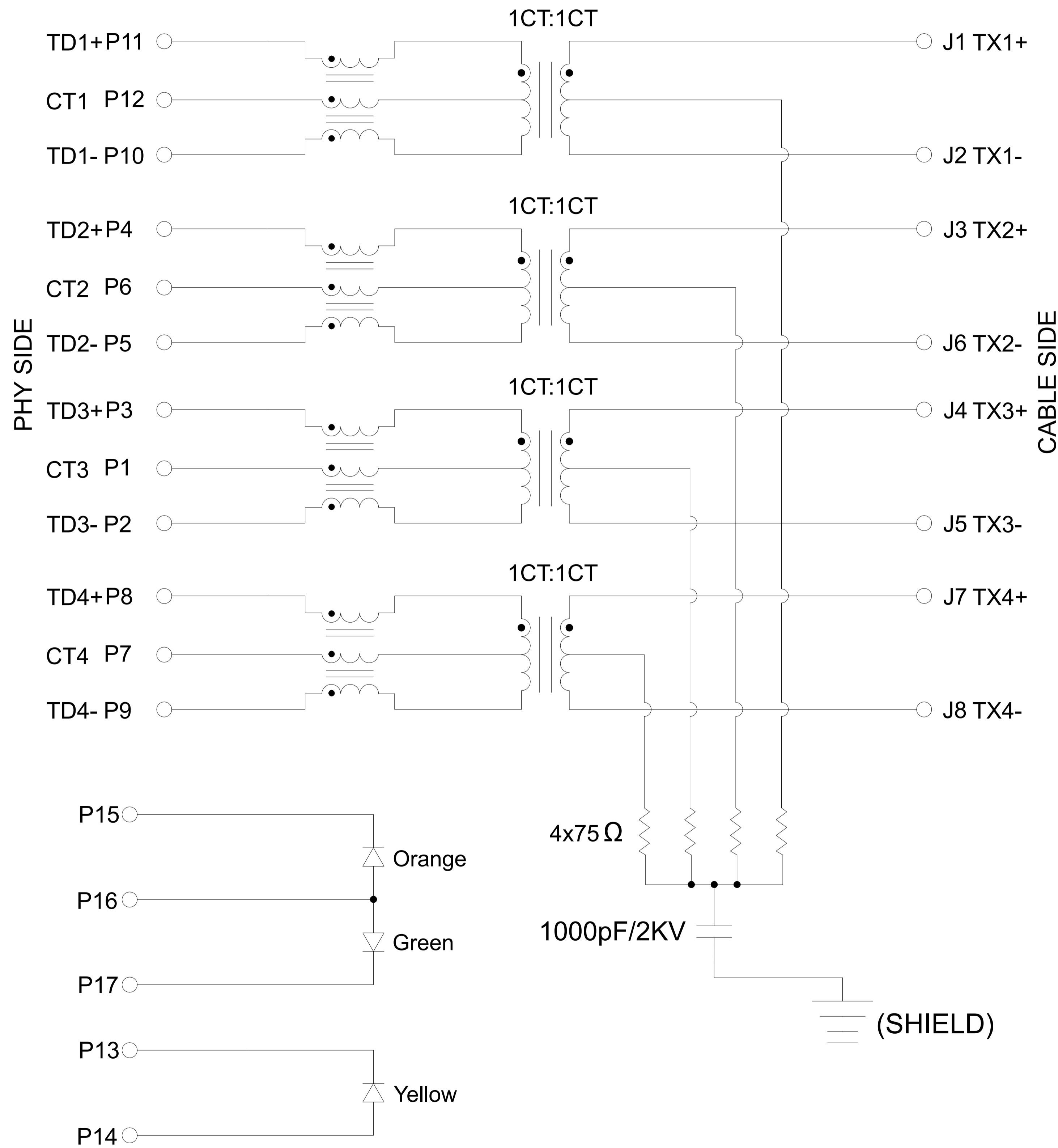
RECOMMENDED P.C.B LAYOUT
TOP VIEW (COMPONENT SIDE)
 Dimensions Tolerance:
 All PCB LAYOUT
 Tolerances:±0.05[.002]



0.04572 µm [1.8µ"]	2489102-6
0.0762 µm [3µ"]	2489102-5
0.1524 µm [6µ"]	2489102-4
0.381 µm [15µ"]	2489102-3
0.762 µm [30µ"]	2489102-2
1.27 µm [50µ"]	2489102-1
GOLD PLATING THICKNESS	PART NUMBER

THIS DRAWING IS A CONTROLLED DOCUMENT.		DIN 12JUN2024		TE Connectivity	
DIMENSIONS: mm [INCHES]		TOLERANCES UNLESS OTHERWISE SPECIFIED:		DRW: RAMESH_KIVADER CHK: RAMESH_KIVADER APVD: P.S. SATHISH PRODUCT SPEC:	
0. PLC ± 0.10 1. PLC ± 0.25 2. PLC ± 0.25 3. PLC ± 0.25 4. PLC ± 0.25 ANGLES ± 2°		APPLICATION SPEC:		NAME: RJ45 1X1 Tab_Up/Through Hole 2.5G Base-T W/LED	
MATERIAL: -		FINISH: -		SIZE: A1 CAGE CODE: 00779 DRAWING NO: 2489102	
CUSTOMER DRAWING		SCALE: 1:1		SHEET 1 OF 2 REV A	

Schematic



PARAMETER	SPECIFICATIONS
OPERATING TEMPERATURE	-40°C To +85°C
URNS RATIO	1:1±2%
OPEN CIRCUIT INDUCTANCE(OCL)	180uH MIN@100KHz/100mV With 8mA DC Bias For(CHANNEL 1,2,3,4)
INSERTION LOSS(IL)	-1.0dB MAX@1MHz-50MHz; -1.5dB MAX@50MHz-125MHz;
RETURN LOSS(RL) (Z out=100 OHM)	-18dB MIN@1MHz-40MHz; -18+15LOG (f/40MHz)dB MIN@40MHz-250MHz;
CROSSTALK (ADJACENT CHANNELS)	-35dB MIN@1MHz-40MHz; -35+15LOG (f/40MHz)dB MIN@40MHz-125MHz;
COMMON MODE REJECTION RATIO(CMRR)	-30dB MIN@1MHz-200MHz;
COMMON TO DIFFERENTIAL MODE REJECTION(REF)	-35dB MIN@1MHz-125MHz;
HI-POT	2250 VDC@60 SECONDS

LED SPECIFICATION			
STANDARD LED	WAVELENGTH	Farward V(max)	TYP
GREEN	570nm	2.4V	2.2V
YELLOW	590nm	2.5V	2.1V
ORANGE	605nm	2.5V	2.1V

*WITH A FORWARD CURRENT OF 20mA

REVISIONS				
REV	DATE	DESCRIPTION	BY	APP'D
-	-	SEE SHEET 1	-	-

THIS DRAWING IS A CONTROLLED DOCUMENT.		DIM: RAMESH_KIVADER 12JUN2024 CHK: RAMESH_KIVADER 12JUN2024 APVD: P.S. SATHISH 12JUN2024 NAME: RAMESH_KIVADER		TE Connectivity	
DIMENSIONS: mm [INCHES] TOLERANCES UNLESS OTHERWISE SPECIFIED: 0. PLC ± - 1. PLC ± - 2. PLC ± - 3. PLC ± - 4. PLC ± - ANGLES ± -		PRODUCT SPEC: RJ45 1X1 Tab_Up/Through Hole 2.5G Base-T W/LED APPLICATION SPEC:		SIZE: A1 CAGE CODE: 00779 DRAWING NO: 2489102 RESTRICTED TO:	
MATERIAL: -		FINISH: -		WEIGHT: - CUSTOMER DRAWING:	
			SCALE: 1:1		SHEET 2 OF 2
					REV: A