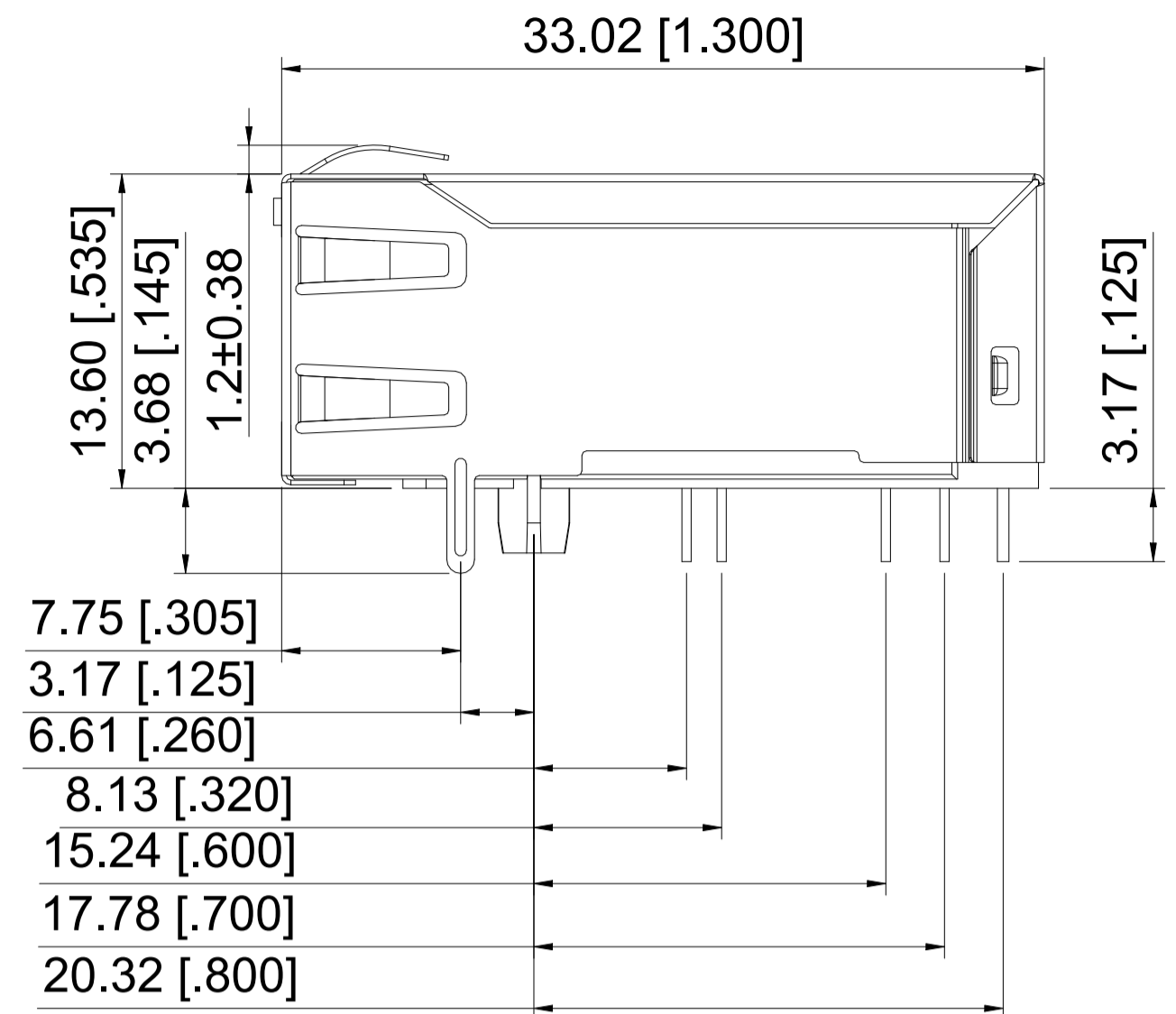
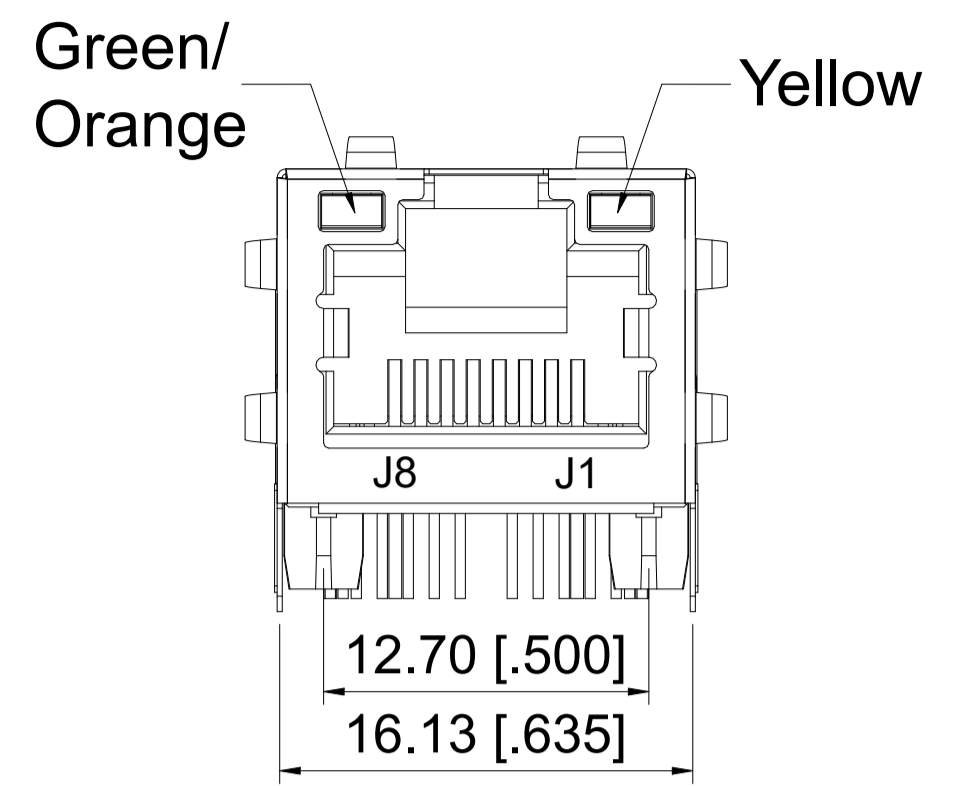
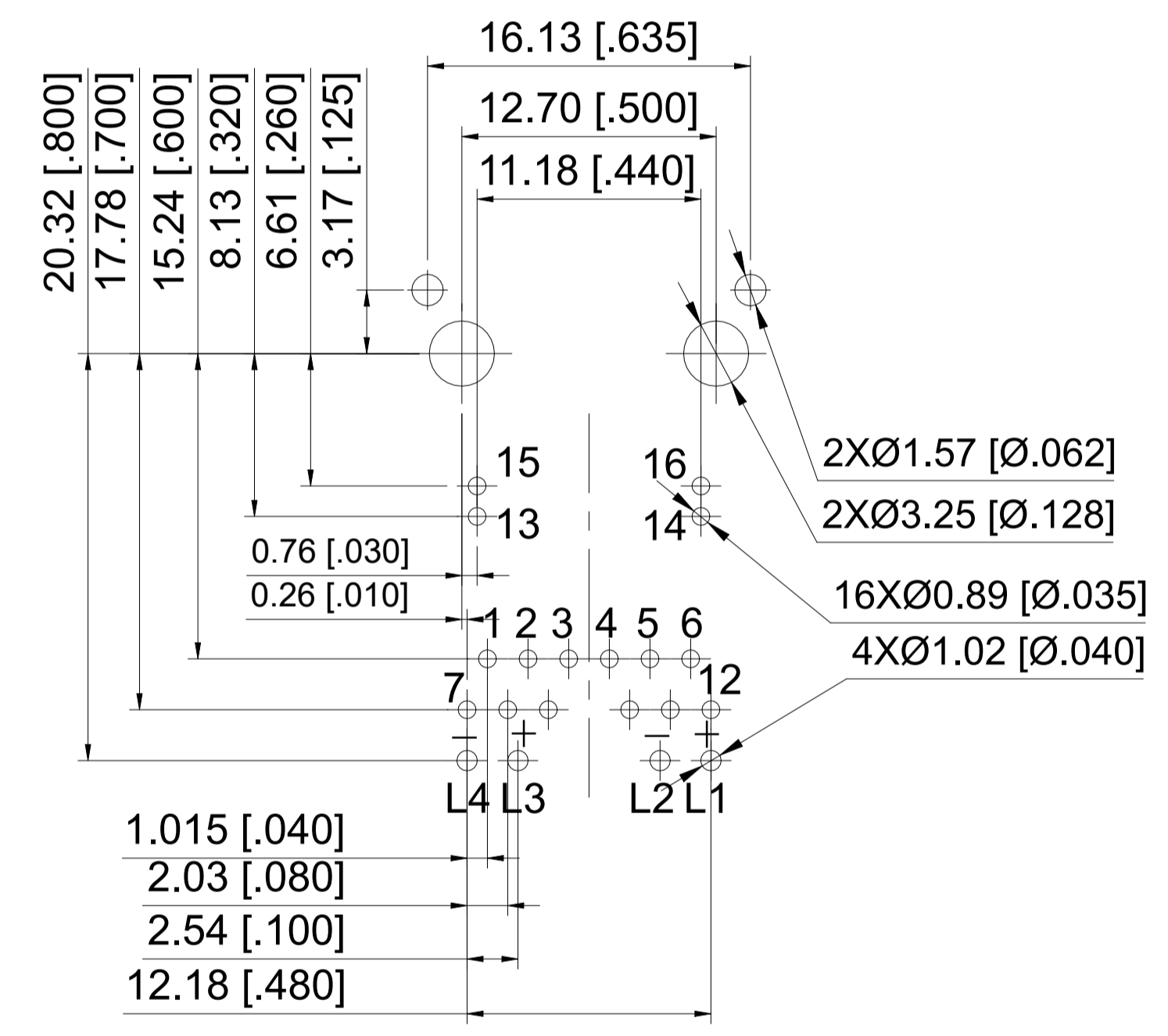
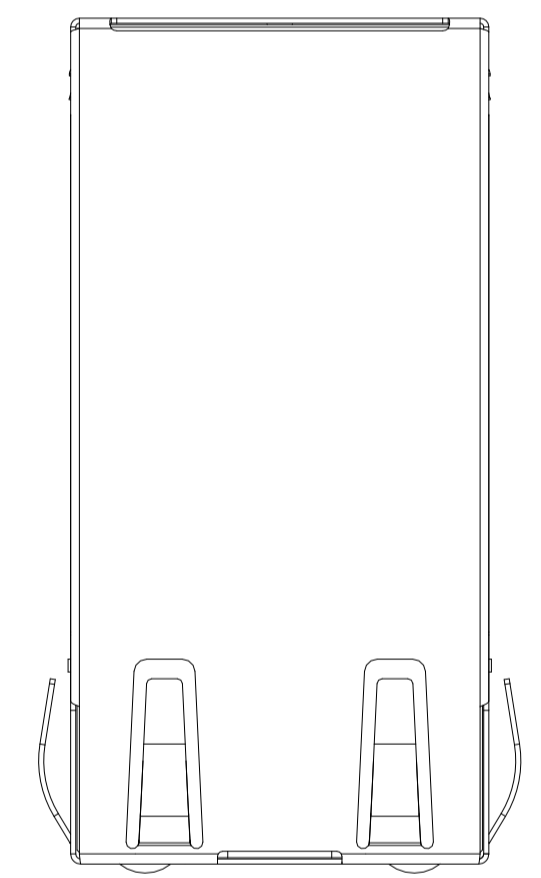
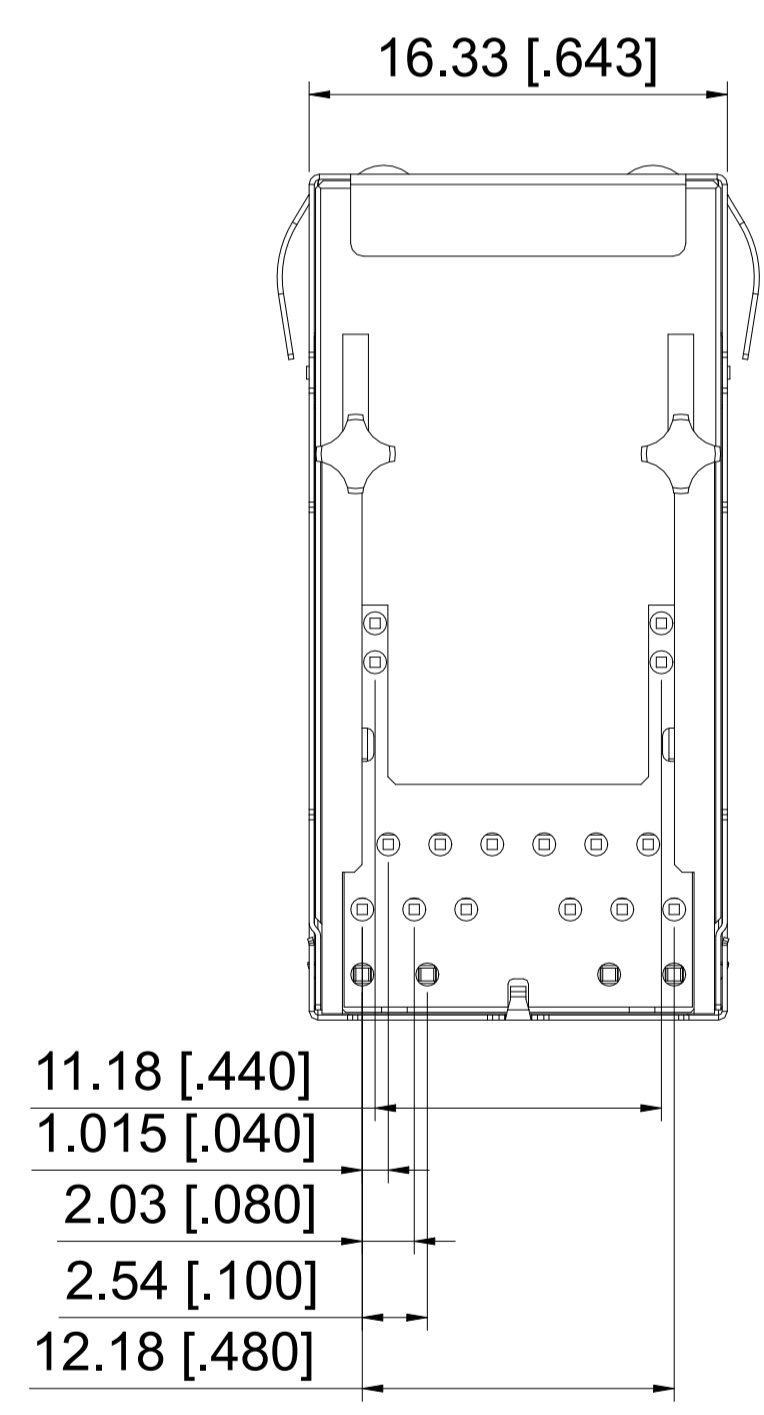


REVISIONS				
REV	DATE	DESCRIPTION	BY	APP'D
A	11JUL2024	INITIAL RELEASE	RK	PSS



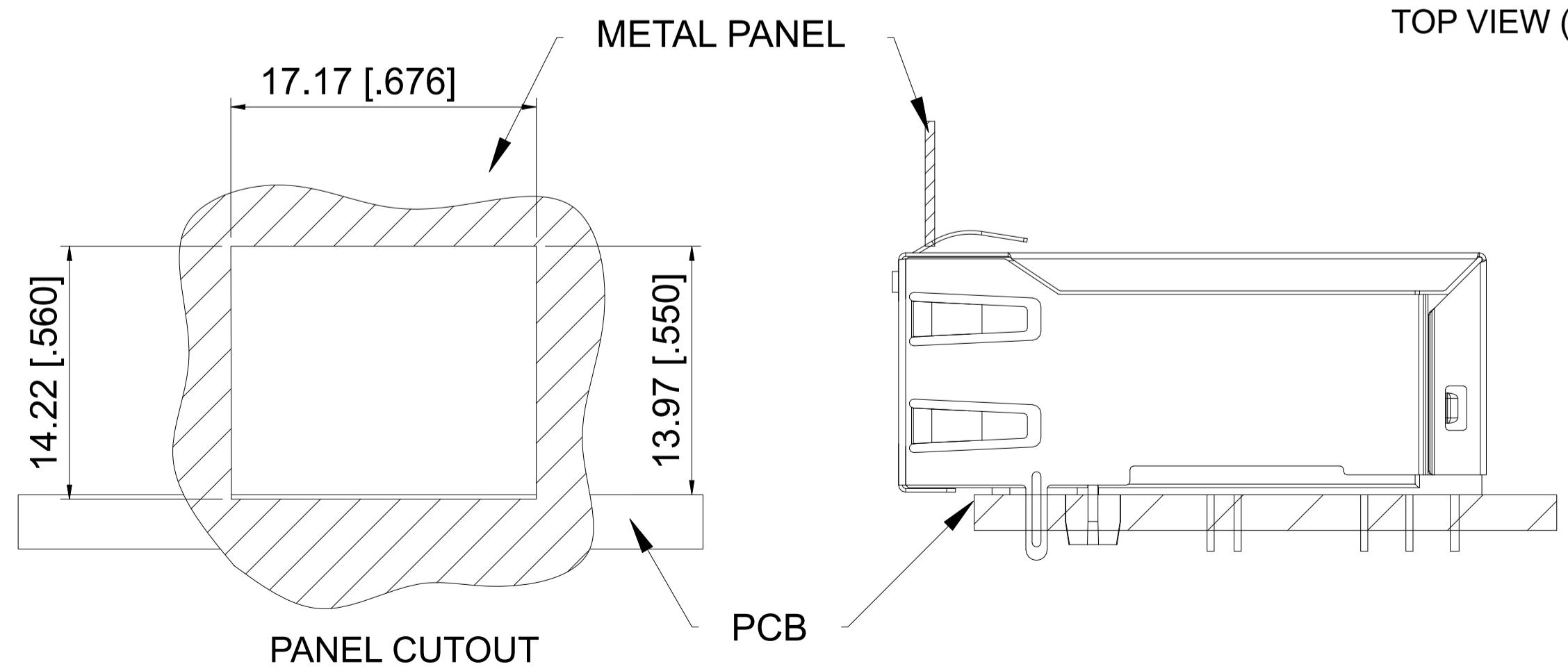
**NOTES:**

- 1.HOUSING MATERIAL:GLASS FILLED PA46(BLACK) UL94V-0(ROHS)
- 2.CONTACT: PHOSPHOR BRONZE,50 MICROINCHES MIN. OVERALL DUCTILE L UNDERPLATE ITH SELECTED (REFER P/N TABLE) MICROINCHES GOLD AT MATING INTER
- 3.SHIELD:0.2mm THICKNESS WITH BRASS.
- 4.JACK CAVITY CONFORMS TO FCC RULES AND REGULATIONS PART 68 SUBPART F
- 5.THE PART IS RECOMMENDED FOR WAVE SOLDERING PROCESS PEAK SOLDERING TEMPERATURE IS 260°C MAX,10 SECS MAX.
- 6.OPERATING TEMPERATURE:-40°C TO +85°C. STORAGE TEMPERATURE:-40°C TO +85°C.



RECOMMENDED P.C.B LAYOUT TOP VIEW (COMPONENT SIDE)

Dimension Tolerance: All PCB LAYOUT Tolerance:±0.05[.002]



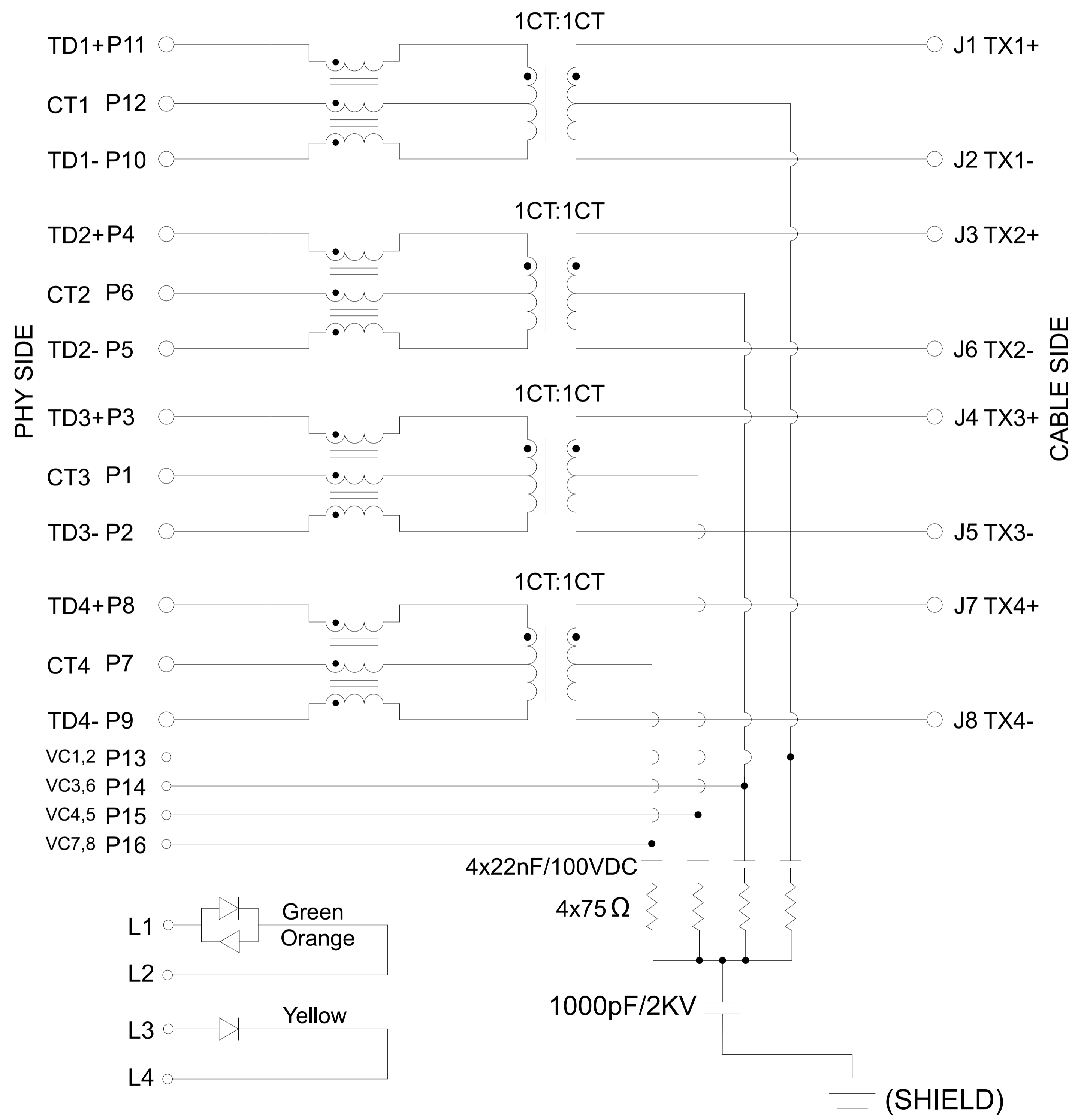
GOLD PLATING THICKNESS	PART NUMBER
0.04572 μm [1.8μ"]	2489103-6
0.0762 μm [3μ"]	2489103-5
0.1524 μm [6μ"]	2489103-4
0.381 μm [15μ"]	2489103-3
0.762 μm [30μ"]	2489103-2
1.27 μm [50μ"]	2489103-1

THIS DRAWING IS A CONTROLLED DOCUMENT.

DIMENSIONS: mm [INCHES]	TOLERANCES UNLESS OTHERWISE SPECIFIED:	0. PLC ± 0.10	1. PLC ± 0.25	2. PLC ± 0.25	3. PLC ± 0.25	4. PLC ± 0.25	ANGLES ± 2°				
MATERIAL	FINISH	WEIGHT	0	SIZE	A1	CAGE CODE	00779	DRAWING NO	2489103	RESTRICTED TO	-
CUSTOMER DRAWING		SCALE	1:1	SHEET	1	OF	2	REV	A		

APPROVED: RAMESH KIVADER (12JUN2024)  
 CHECKED: RAMESH KIVADER (12JUN2024)  
 DESIGNED: P.S. SATHISH (12JUN2024)  
 PRODUCT SPEC: -  
 APPLICATION SPEC: -  
 NAME: RJ45 1X1 Tab\_Up/Through Hole/UPoE+(60W) 5G Base-T W/LED  
 SIZE: A1  
 SCALE: 1:1  
 SHEET: 1 OF 2  
 REV: A

# Schematic



PARAMETER	SPECIFICATIONS
OPERATING TEMPERATURE	-40°C To +85°C
TURNS RATIO	1:1±2%
OPEN CIRCUIT INDUCTANCE(OCL)	120uH MIN@100KHz/100mV With 19mA DC Bias For(CHANNEL 1,2,3,4) 180uH MIN@100KHz/100mV With 8mA DC Bias For(CHANNEL 1,2,3,4)
INSERTION LOSS(IL)	-0.5dB MAX@1MHz-50MHz; -1.0dB MAX@50MHz-125MHz; -2.0dB MAX@125MHz-200MHz; -2.5dB MAX@200MHz-250MHz;
RETURN LOSS(RL) (Z out=100 OHM)	-20dB MIN@1MHz-50MHz; -20+15LOG(f/40MHz)dB MIN@50MHz-250MHz;
CROSSTALK (ADJACENT CHANNELS)	-25dB MIN@1MHz-125MHz; -20dB MIN@125MHz-250MHz;
COMMON MODE REJECTION RATIO(CMRR)	-23dB MIN@1MHz-250MHz;
COMMON TO DIFFERENTIAL MODE REJECTION(REF)	-23dB MIN@1MHz-250MHz;
DC CURRENT/VOLTAGE RATING-PSE PINS	720mA MAXIMUM@57VDC(CONTINUOUS)
HI-POT	2250 VDC@60 SECONDS

LED SPECIFICATION			
STANDARD LED	WAVELENGTH	Forward V(max)	TYP
GREEN	570nm	2.4V	2.2V
YELLOW	590nm	2.5V	2.1V
ORANGE	605nm	2.5V	2.1V

\*WITH A FORWARD CURRENT OF 20mA

REVISIONS				
REV	DATE	DESCRIPTION	BY	APP'D
-	-	SEE SHEET 1	-	-

THIS DRAWING IS A CONTROLLED DOCUMENT.

DIMENSIONS: mm [INCHES]	TOLERANCES UNLESS OTHERWISE SPECIFIED: 0. PLC ± 0.10 1. PLC ± 0.25 2. PLC ± 0.25 3. PLC ± 0.25 4. PLC ± 0.25 ANGLES ± 2°	DWG NO: RAMESH_KIVADER_12JUN2024 CHK: RAMESH_KIVADER_12JUN2024 APP'D: P.S. SATHISH_12JUN2024	NAME: RAMESH_KIVADER
MATERIAL: -		FINISH: -	APPLIC: PRODUCT SPEC
SIZE: A1		CAGE CODE: 00779	DRAWING NO: C=2489103
WEIGHT: -		RESTRICTED TO: -	
CUSTOMER DRAWING		SCALE: 1:1	SHEET 2 OF 2 REV A

TE Connectivity

RJ45 1X1 Tab\_Up/Through Hole/UPoE+(60W)  
5G Base-T W/LED