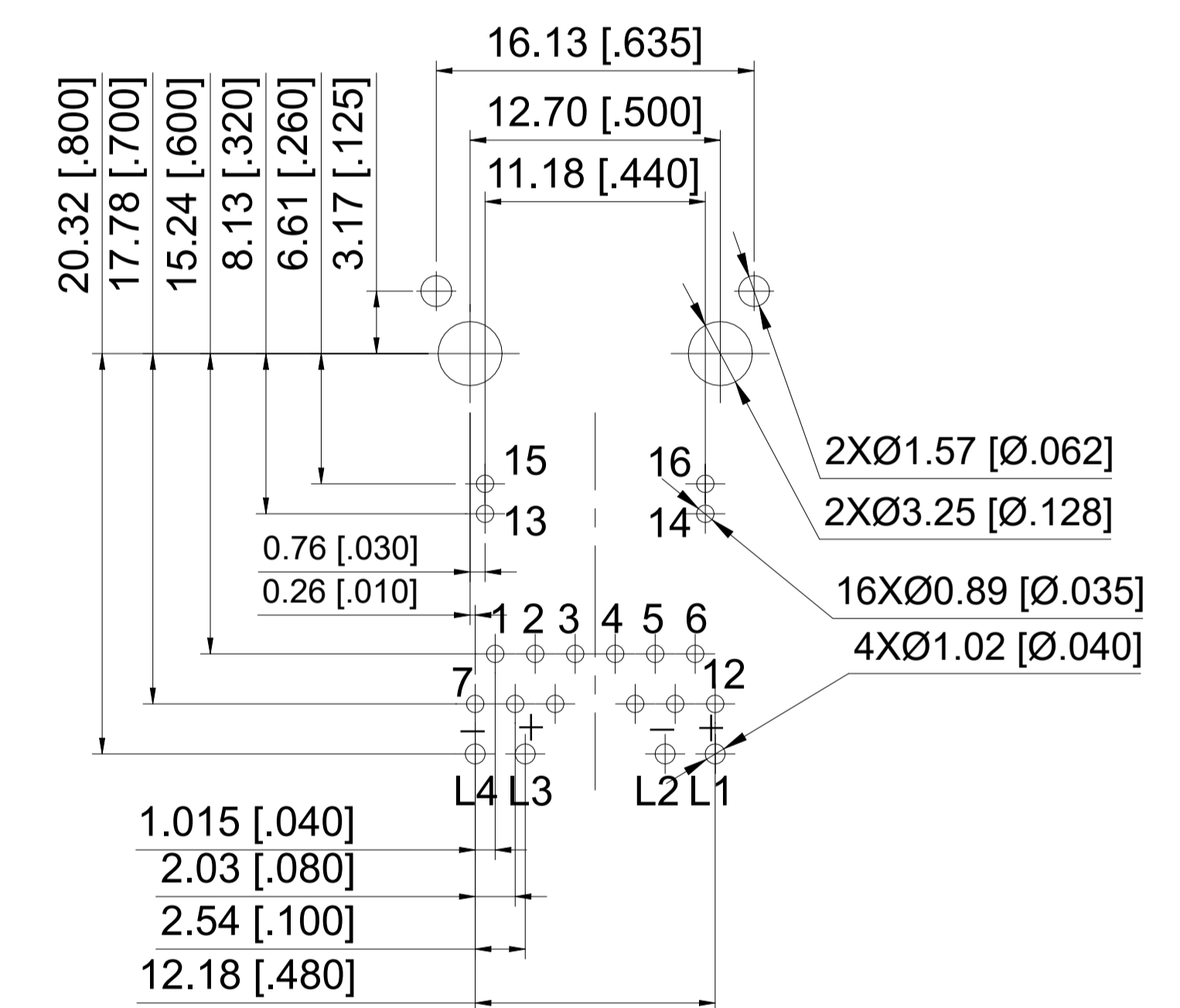
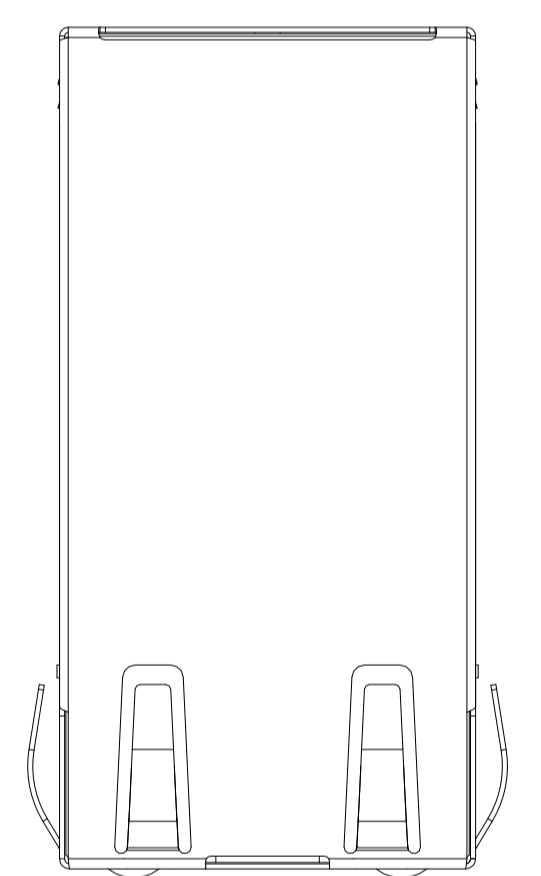
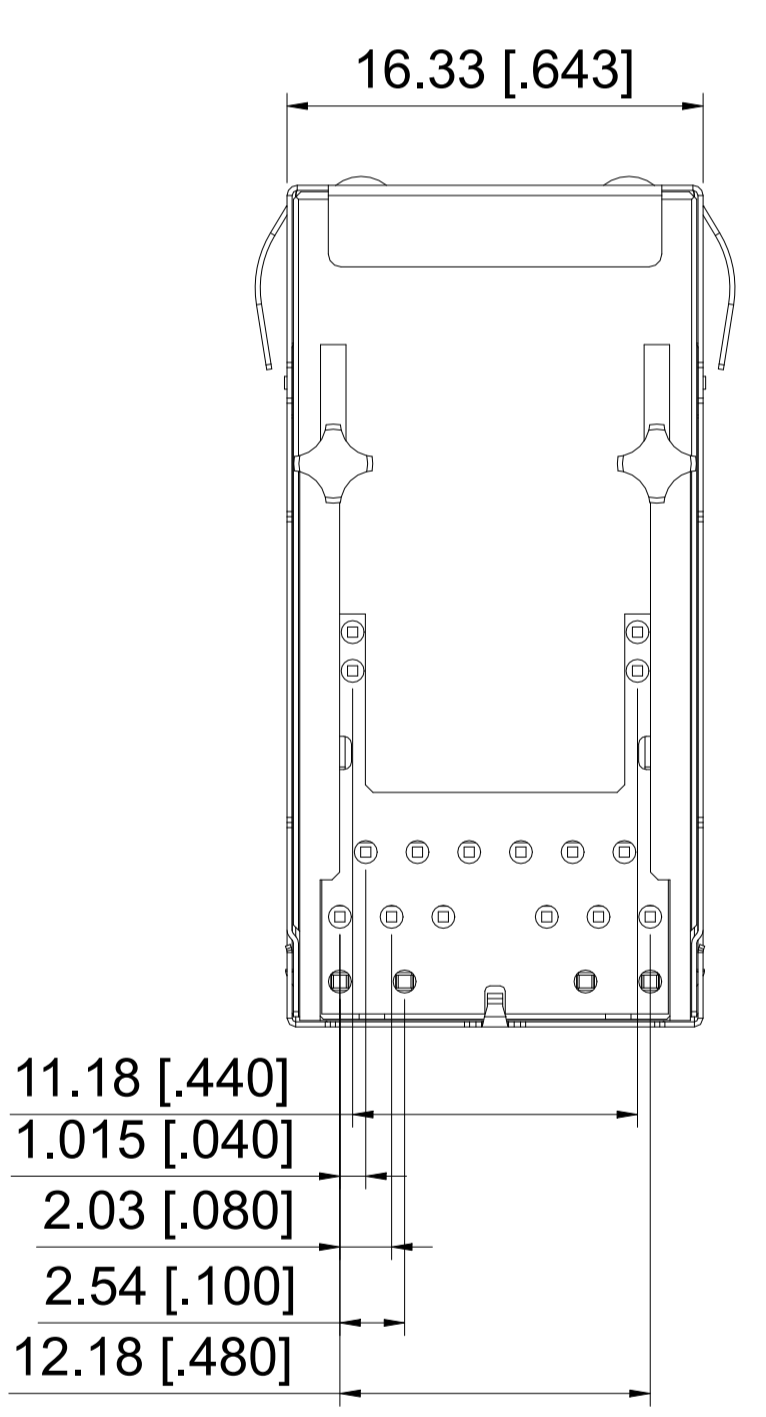
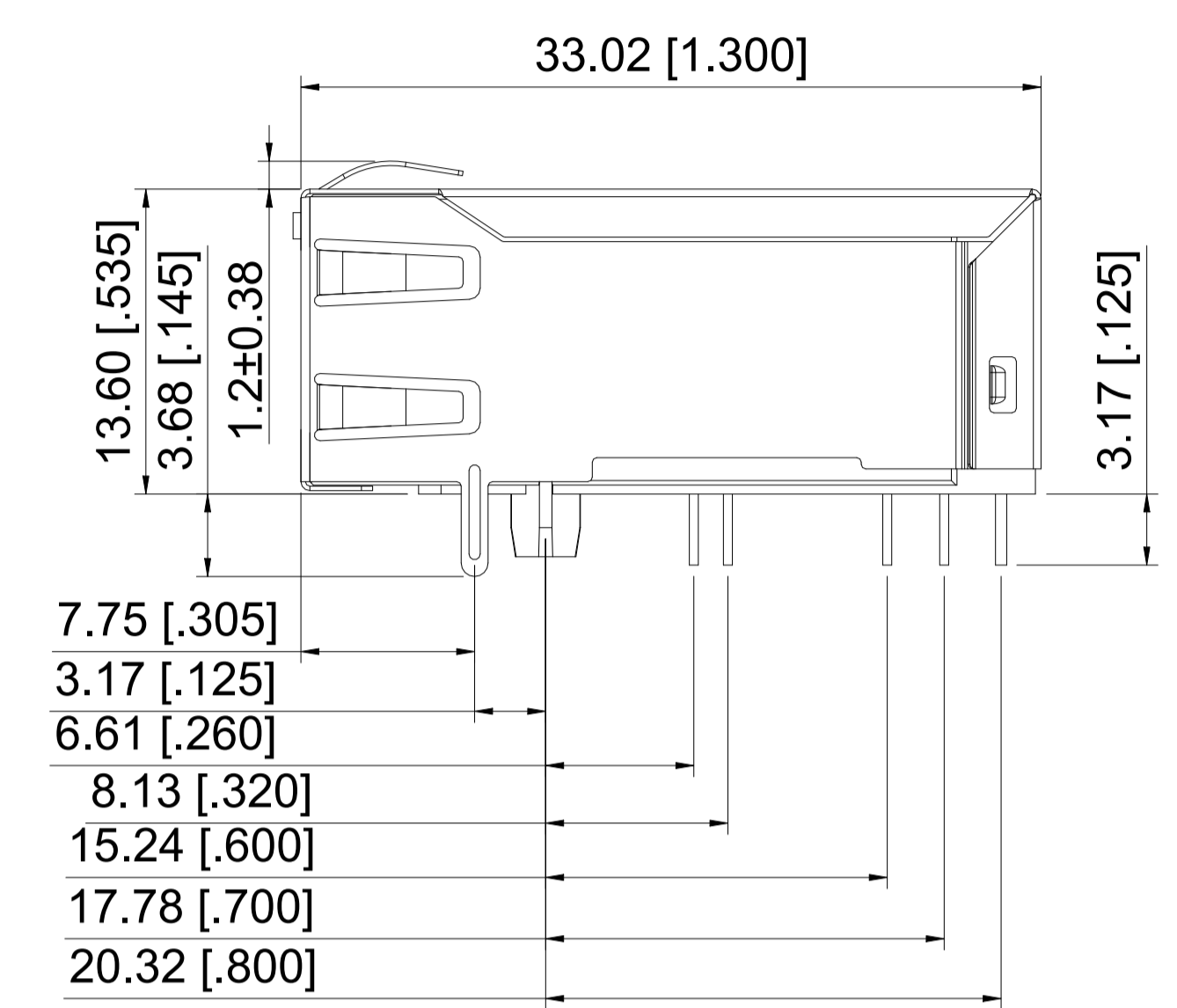
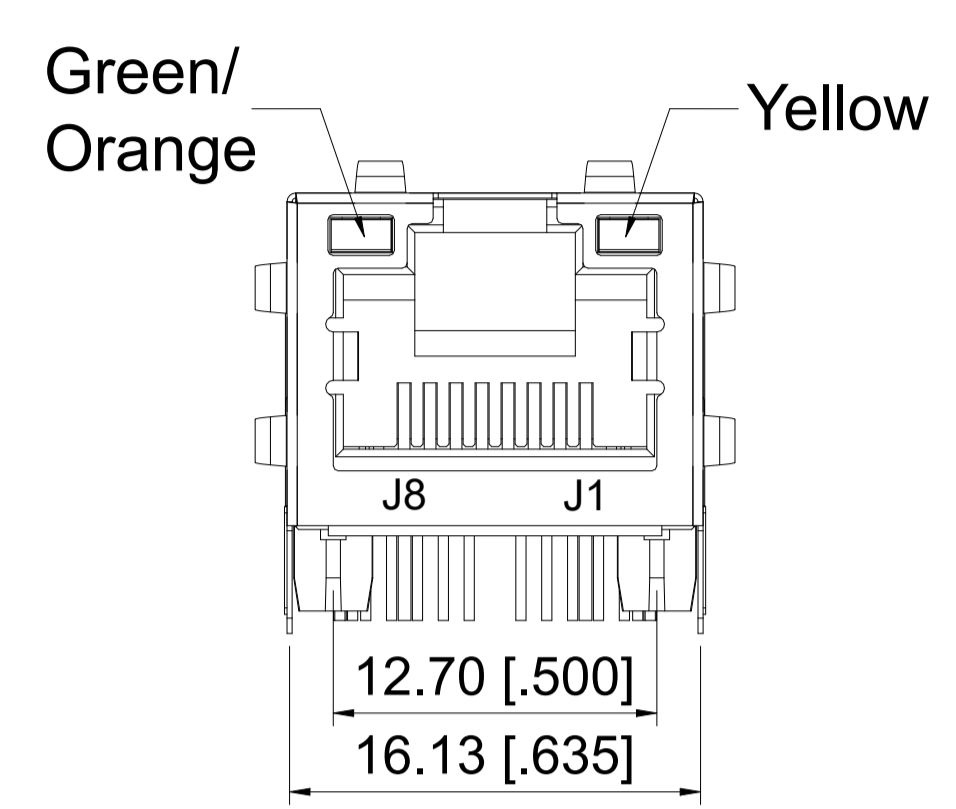


REVISIONS				
REV	DATE	DESCRIPTION	BY	APP'D
A	11JUL2024	INITIAL RELEASE	RK	PSS

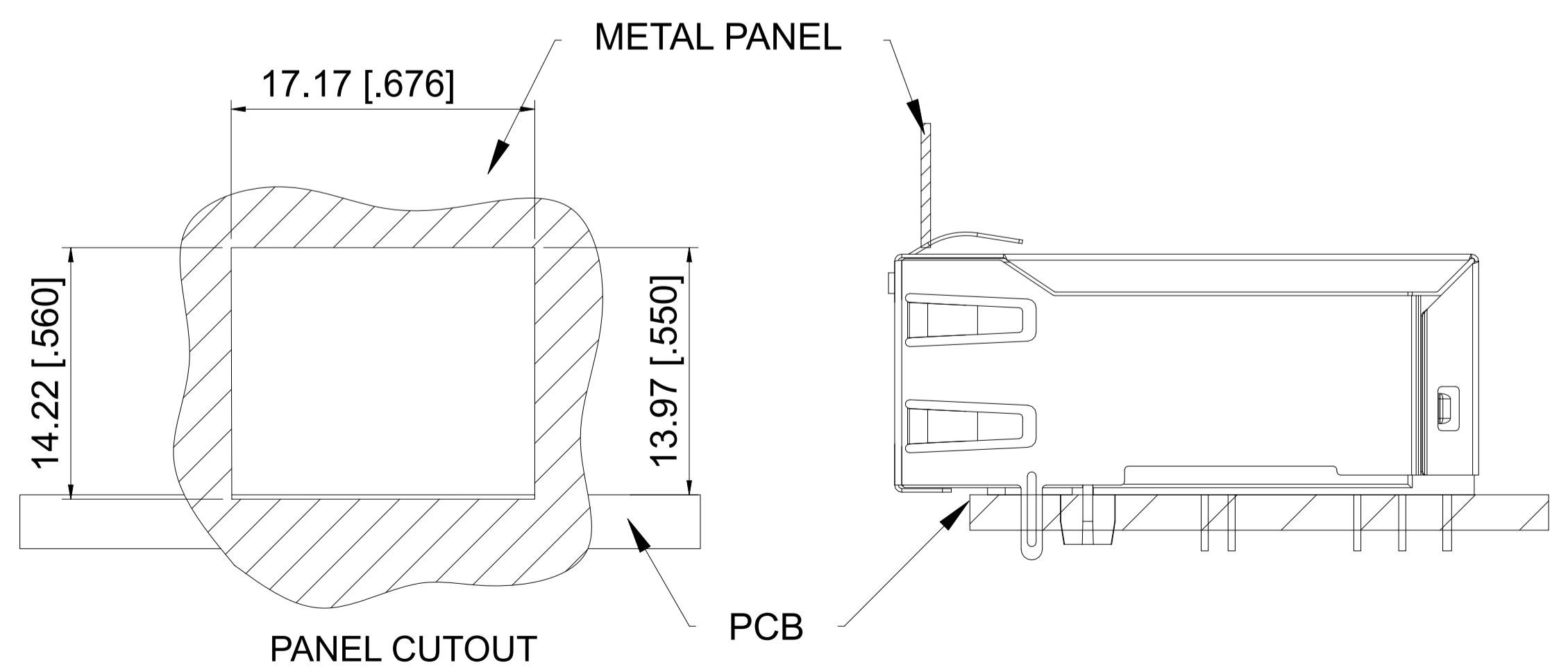
NOTES:

- 1.HOUSING MATERIAL:GLASS FILLED PA46(BLACK) UL94V-0(ROHS)
- 2.CONTACT: PHOSPHOR BRONZE,50 MICROINCHES MIN. OVERALL DUCTILE NICKEL UNDERPLATE WITH SELECTED (REFER P/N CHART) MICROINCHES GOLD AT MATING INTERFACE
- 3.SHIELD:0.2mm THICKNESS WITH BRASS.
- 4.JACK CAVITY CONFORMS TO FCC RULES AND REGULATIONS PART 68 SUBPART F
- 5.THE PART IS RECOMMENDED FOR WAVE SOLDERING PROCESS PEAK SOLDERING TEMPERATURE IS 260°C MAX,10 SECS MAX.
- 6.OPERATING TEMPERATURE:-40°C TO +85°C. STORAGE TEMPERATURE:-40°C TO +85°C.



RECOMMENDED P.C.B LAYOUT
TOP VIEW (COMPONENT SIDE)

Dimension Tolerance:
All PCB LAYOUT
Tolerance:±0.05[.002]



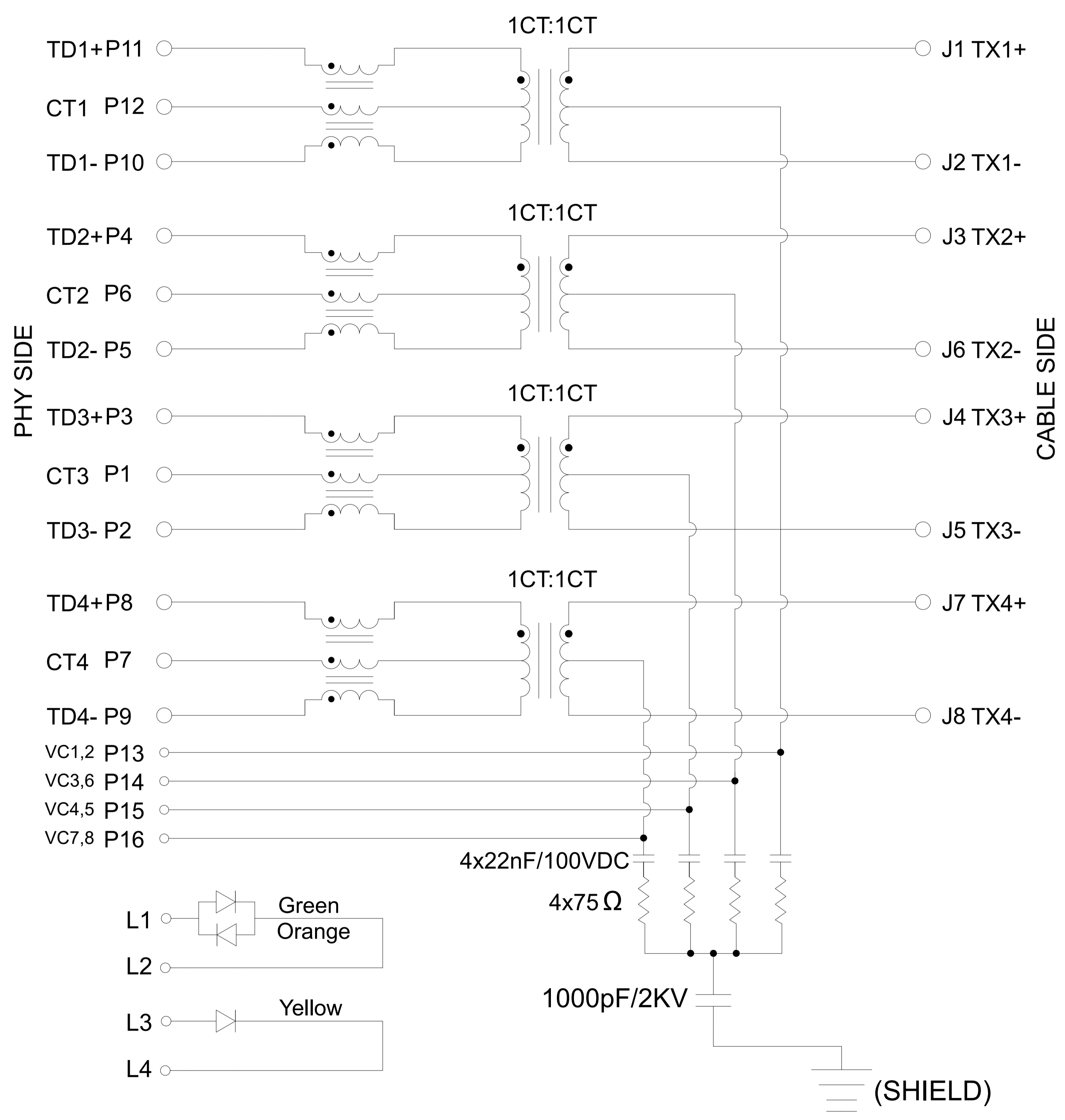
0.04572 μm [1.8μ"]	2489107-6
0.0762 μm [3μ"]	2489107-5
0.1524 μm [6μ"]	2489107-4
0.381 μm [15μ"]	2489107-3
0.762 μm [30μ"]	2489107-2
1.27 μm [50μ"]	2489107-1
GOLD PLATING THICKNESS	PART NUMBER

THIS DRAWING IS A CONTROLLED DOCUMENT.

DIMENSIONS: mm [INCHES]	TOLERANCES UNLESS OTHERWISE SPECIFIED:	DWG RAMESH_KIVADER 12JUN2024	CHK RAMESH_KIVADER 12JUN2024	APPROV SATHISH 12JUN2024	NAME RJ45 1X1 Tab_Up/Through Hole/UPoE+(60W) 2.5G Base-T W/LED
0. PLC ± 0.10	1. PLC ± 0.25	APPLN SPEC	SIZE A1	CAGE CODE 00779	DRAWING NO 2489107
2. PLC ± 0.25	3. PLC ± 0.25	WEIGHT 0	CUSTOMER DRAWING	SCALE 1:1	SHEET 1 of 2
4. PLC ± 0.25	ANGLES ± 2	FINISH	RESTRICTED TO	REV A	

4805 (1/15)

Schematic



PARAMETER	SPECIFICATIONS
OPERATING TEMPERATURE	-40°C To +85°C
TURNS RATIO	1:1±2%
OPEN CIRCUIT INDUCTANCE(OCL)	120uH MIN@100KHz/100mV With 19mA DC Bias For(CHANNEL1,2,3,4) 180uH MIN@100KHz/100mV With 8mA DC Bias For(CHANNEL1,2,3,4)
INSERTION LOSS(IL)	-1.0dB MAX@1MHz-100MHz; -1.0dB MAX@100MHz-125MHz;
RETURN LOSS(RL) (Z out=100 OHM)	-20dB MIN@1MHz-40MHz; -20+15LOG (f/40MHz)dB MIN@40MHz-200MHz;
CROSSTALK (ADJACENT CHANNELS)	-35dB MIN@1MHz-40MHz; -35+15LOG (f/40MHz)dB MIN@40MHz-125MHz;
COMMON MODE REJECTION RATIO(CMRR)	-30dB MIN@1MHz-200MHz;
COMMON TO DIFFERENTIAL MODE REJECTION(REF)	-35dB MIN@1MHz-125MHz;
DIFFERENTIAL TO COMMON MODE REJECTION(REF)	-40dB MIN@1MHz-10MHz; -28dB MIN@40MHz-100MHz; -23dB MIN@200MHz;
DC CURRENT/VOLTAGE RATING-PSE PINS	720mA MAXIMUM@57VDC(CONTINUOUS)
HI-POT	2250 VDC@60 SECONDS

LED SPECIFICATION			
STANDARD LED	WAVELENGTH	Farward V(max)	TYP
GREEN	570nm	2.4V	2.2V
YELLOW	590nm	2.5V	2.1V
ORANGE	605nm	2.5V	2.1V

*WITH A FORWARD CURRENT OF 20mA

REVISIONS				
REV	DATE	DESCRIPTION	BY	APP'D
-	-	SEE SHEET 1	-	-

THIS DRAWING IS A CONTROLLED DOCUMENT.

DIMENSIONS: mm [INCHES]	TOLERANCES UNLESS OTHERWISE SPECIFIED: 0. PLC ± 0.10 1. PLC ± 0.25 2. PLC ± 0.25 3. PLC ± 0.25 4. PLC ± 0.25 ANGLES ± 2°	DWG RAMESH KIVADER 12JUN2024 CHK RAMESH KIVADER 12JUN2024 APP'D PS SATHISH 12JUN2024	NAME RJ45 1X1 Tab_Up/Through Hole/UPoE+(60W) 2.5G Base-T W/LED
MATERIAL	FINISH	WEIGHT	RESTRICTED TO
-	-	-	-

SIZE: A1 CAGE CODE: 00779 DRAWING NO: 2489107 SCALE: 1:1 SHEET 2 OF 2 REV A

CUSTOMER DRAWING