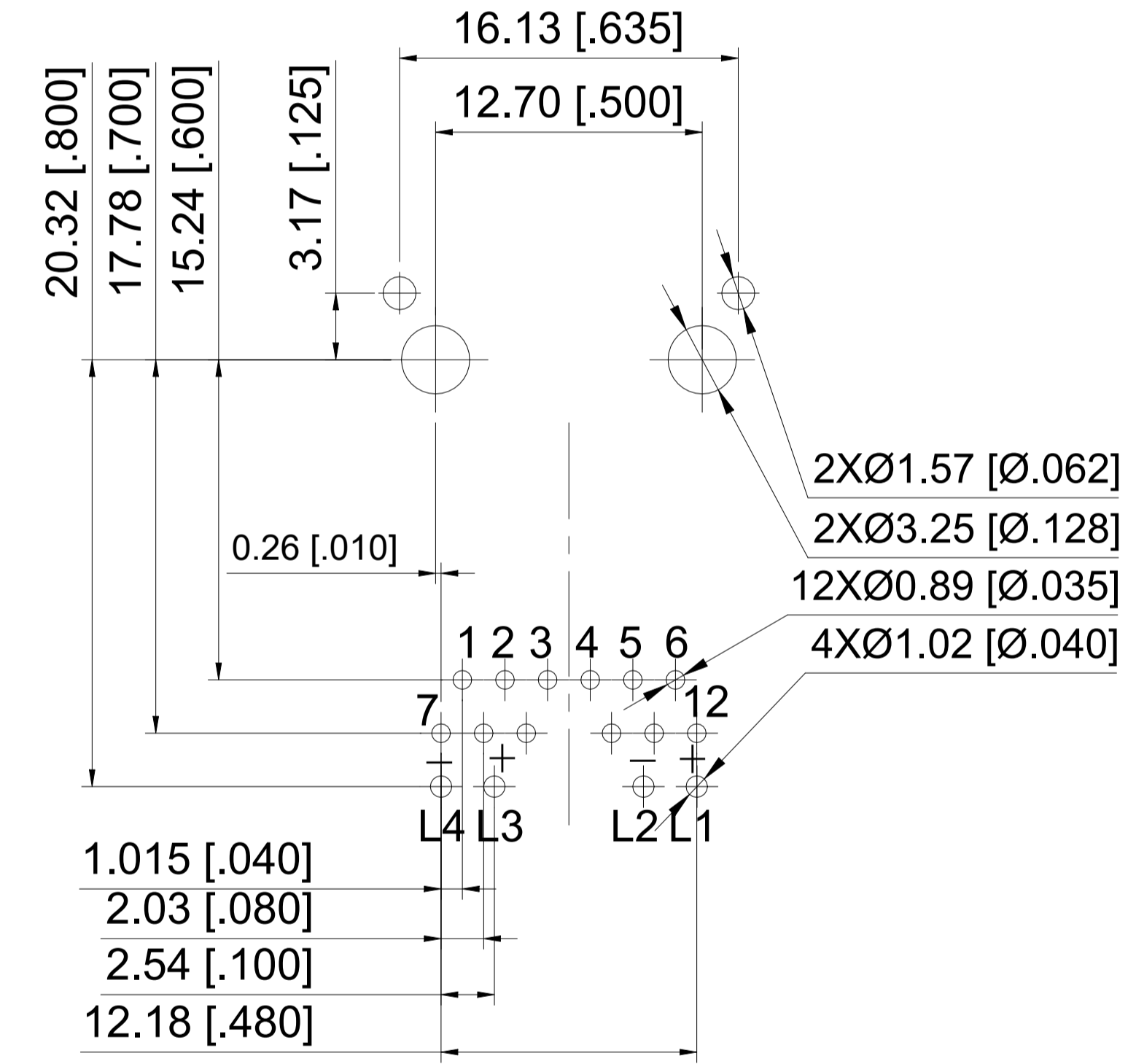
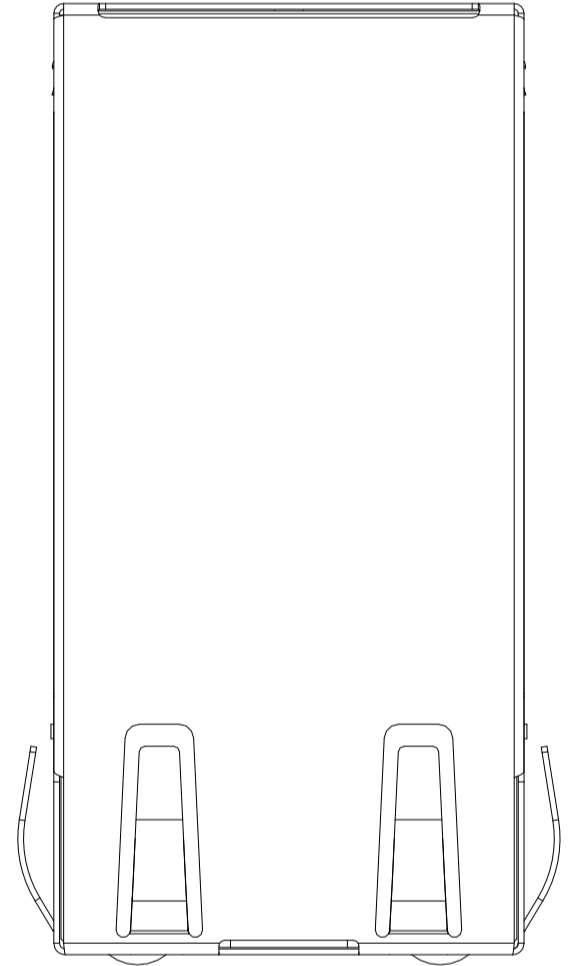
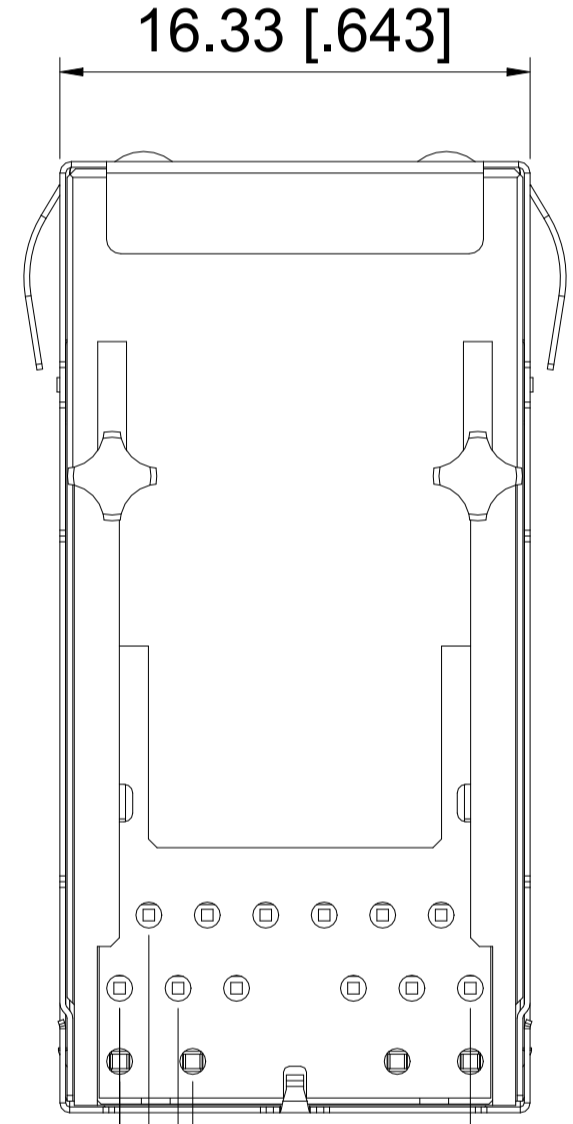
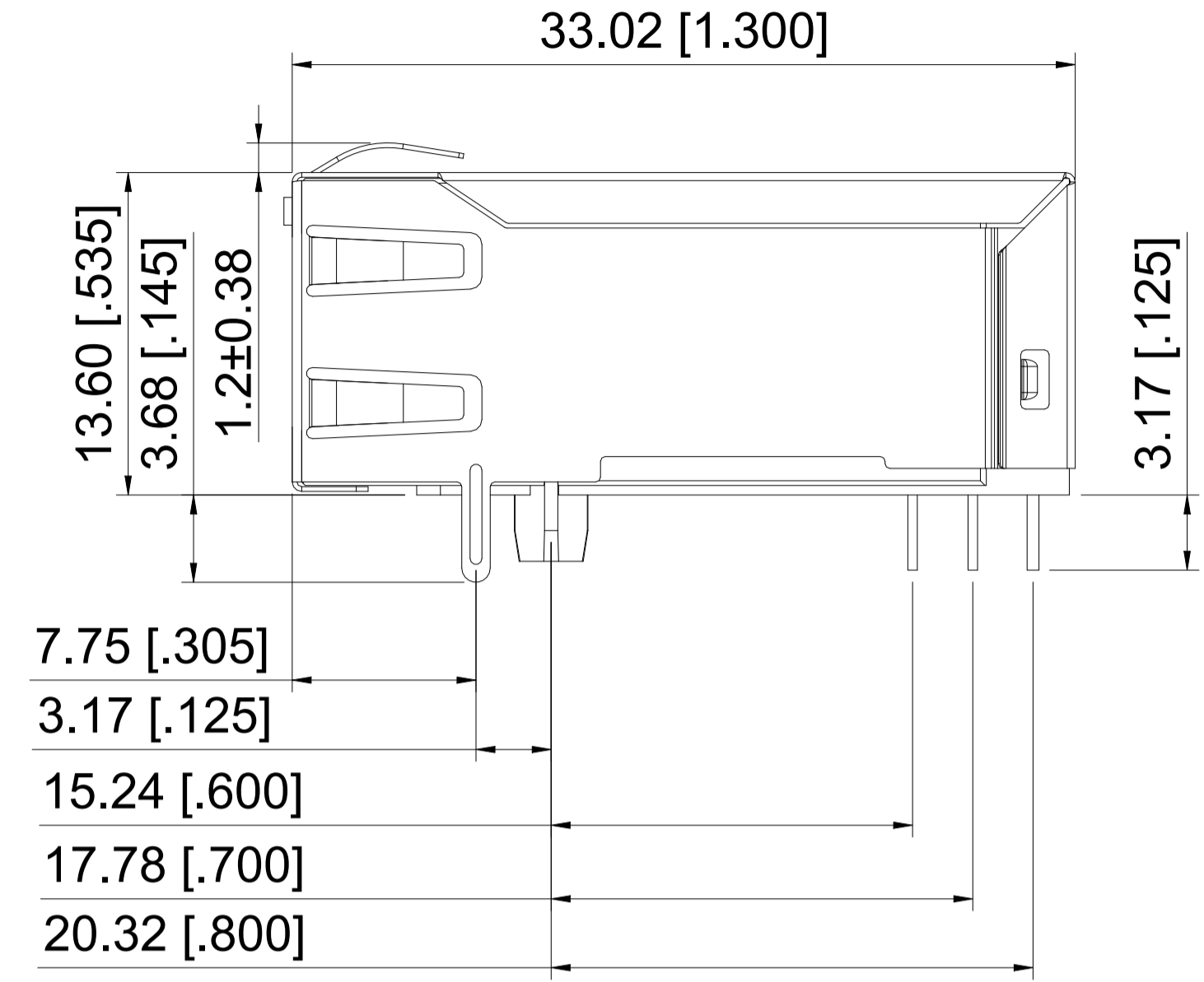
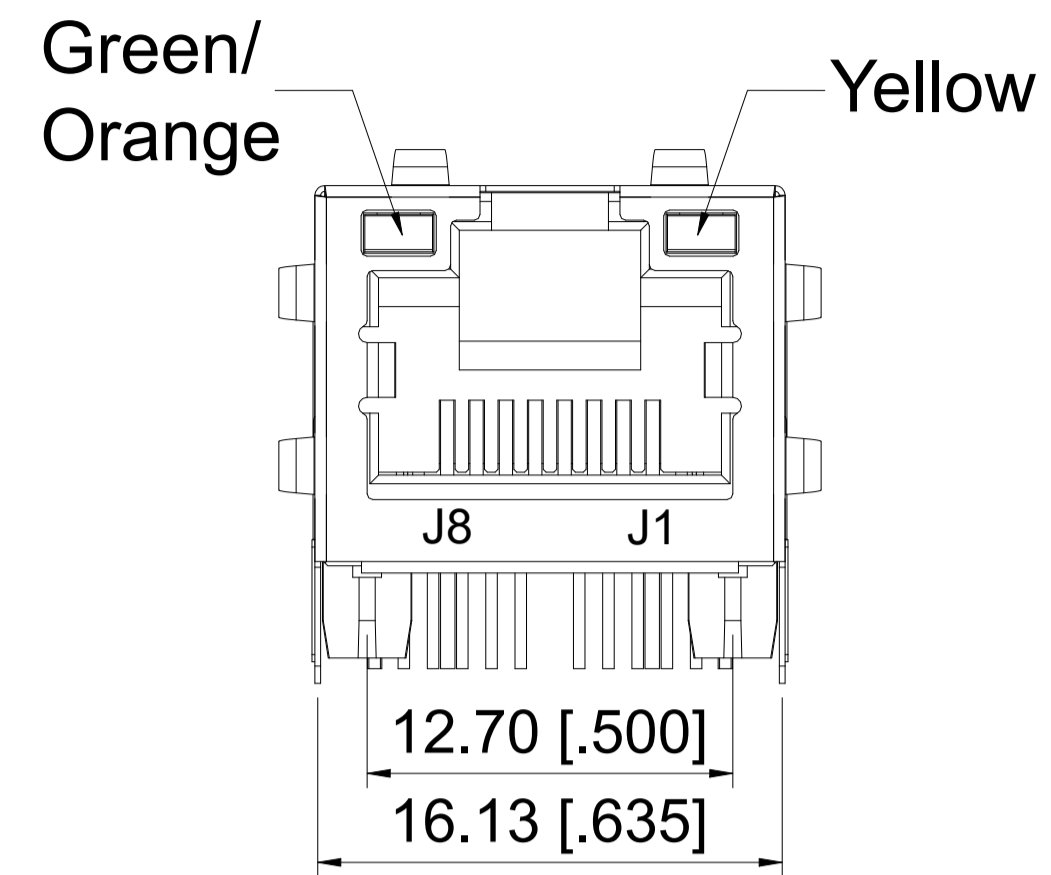


REVISIONS				
REV	DATE	DESCRIPTION	BY	APP'D
A	11JUL2024	INITIAL RELEASE	RK	PSS

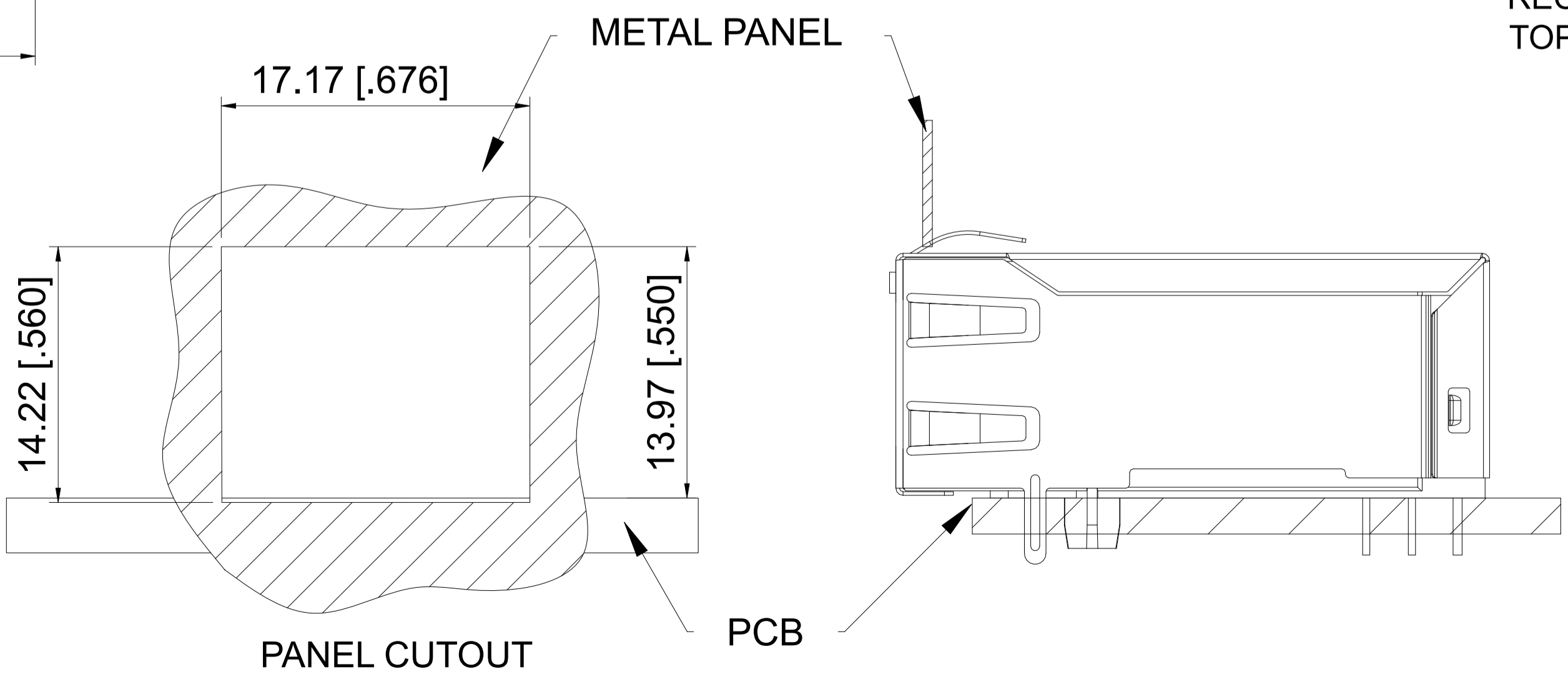
NOTES:

- 1.HOUSING MATERIAL:GLASS FILLED PA46(BLACK) UL94V-0(ROHS)
- 2.CONTACT: PHOSPHOR BRONZE,50 MICROINCHES MIN. OVERALL DUCTILE NICKEL UNDERPLATE WITH SELECTED (REFER P/N TABLE) MICROINCHES GOLD AT MATING INTERFACE
- 3.SHIELD:0.2mm THICKNESS WITH BRASS.
- 4.JACK CAVITY CONFORMS TO FCC RULES AND REGULATIONS PART 68 SUBPART F
- 5.THE PART IS RECOMMENDED FOR WAVE SOLDERING PROCESS PEAK SOLDERING TEMPERATURE IS 260°C MAX,10 SECS MAX.
- 6.OPERATING TEMPERATURE:-40°C TO +85°C. STORAGE TEMPERATURE:-40°C TO +85°C.



RECOMMENDED P.C.B LAYOUT TOP VIEW (COMPONENT SIDE)

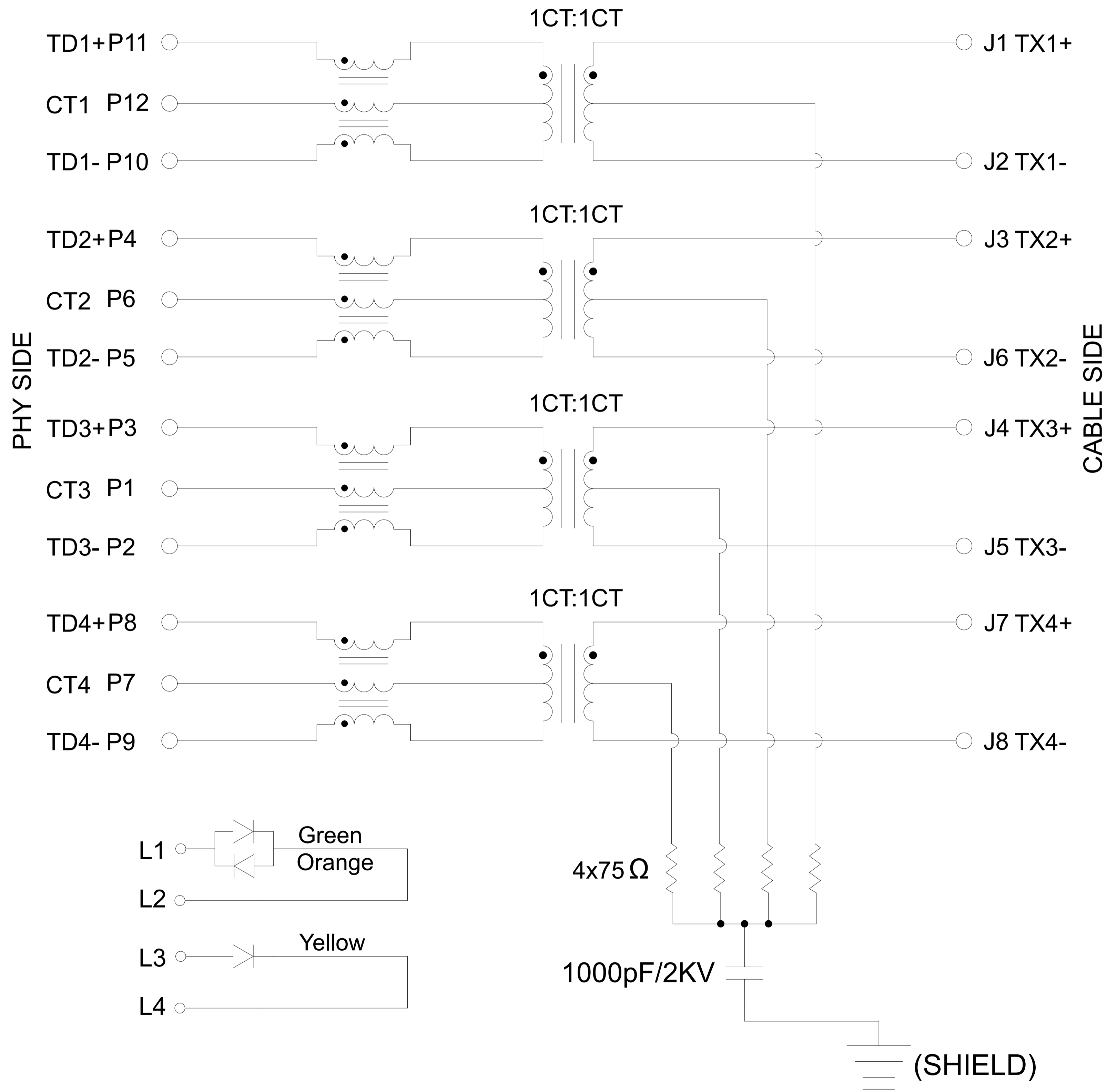
Dimension Tolerance:
All PCB LAYOUT
Tolerance:±0.05[.002]



GOLD PLATING THICKNESS	PART NUMBER
0.04572 µm [1.8µ"]	2489116-6
0.0762 µm [3µ"]	2489116-5
0.1524 µm [6µ"]	2489116-4
0.381 µm [15µ"]	2489116-3
0.762 µm [30µ"]	2489116-2
1.27 µm [50µ"]	2489116-1

THIS DRAWING IS A CONTROLLED DOCUMENT.		DIN 12JUN2024		RAMESH KIVADER	
DIMENSIONS: mm [INCHES]		TOLERANCES UNLESS OTHERWISE SPECIFIED:		APPROVED: RAMESH KIVADER 12JUN2024	
0. PLC ± 0.10		1. PLC ± 0.25		NAME: RAMESH KIVADER	
2. PLC ± 0.25		3. PLC ± 0.25		PRODUCT SPEC: RPS SATHISH	
4. PLC ± 0.25		ANGLES ± 2°		APPLICATION SPEC: -	
MATERIAL: -		FINISH: -		SIZE: A1	
WEIGHT: 0		SCALE: 1:1		DRAWING NO: 00779	
CUSTOMER DRAWING		SCALE: 1:1		DRAWING NO: 2489116	
SHEET 1 OF 2		REV A		RESTRICTED TO: -	

Schematic



PARAMETER	SPECIFICATIONS
OPERATING TEMPERATURE	-40°C To +85°C
TURNS RATIO	1:1±2%
INDUCTANCE(OCL)	350uH MIN@100KHz/100mV With 8mA DC Bias
INSERTION LOSS	-1.0dB MAX@0.3MHz-100MHz;
RETURN LOSS (Z out=100 OHM)	-18dB MIN@1MHz-30MHz; -16dB MIN@30MHz-60MHz; -12dB MIN@60MHz-80MHz; -10dB MIN@80MHz-100MHz;
CROSSTALK (ADJACENT CHANNELS)	-30dB MIN@1MHz-100MHz;
COMMON MODE REJECTION RATIO	-30dB MIN@1MHz-100MHz;
HI-POT	2250 VDC@60 SECONDS

LED SPECIFICATION			
STANDARD LED	WAVELENGTH	Forward V(max)	TYP
GREEN	570nm	2.4V	2.2V
YELLOW	590nm	2.5V	2.1V
ORANGE	605nm	2.5V	2.1V

*WITH A FORWARD CURRENT OF 20mA

REVISIONS				
REV	DATE	DESCRIPTION	BY	APP'D
-	-	SEE SHEET 1	-	-

THIS DRAWING IS A CONTROLLED DOCUMENT.

DIMENSIONS: mm [INCHES]	TOLERANCES UNLESS OTHERWISE SPECIFIED: 0. PLC ± 0.10 1. PLC ± 0.25 2. PLC ± 0.25 3. PLC ± 0.25 4. PLC ± 0.25 ANGLES ± 2°	DRN: RAMESH_KIVADER 12JUN2024 CHK: RAMESH_KIVADER 12JUN2024 APVD: P.S. SATHISH 12JUN2024 PRODUCT SPEC: - APPLICATION SPEC: - MATERIAL: - FINISH: -	NAME: RJ45 1X1 Tab_Up/Through Hole 10/100/1000Base-T W/LED SIZE: A1 CAGE CODE: 00779 DRAWING NO: C=2489116 WEIGHT: - CUSTOMER DRAWING: -	RESTRICTED TO: - SCALE: 1:1 SHEET: 2 of 2 REV: A
----------------------------	--	--	---	---

4805 (1/15)