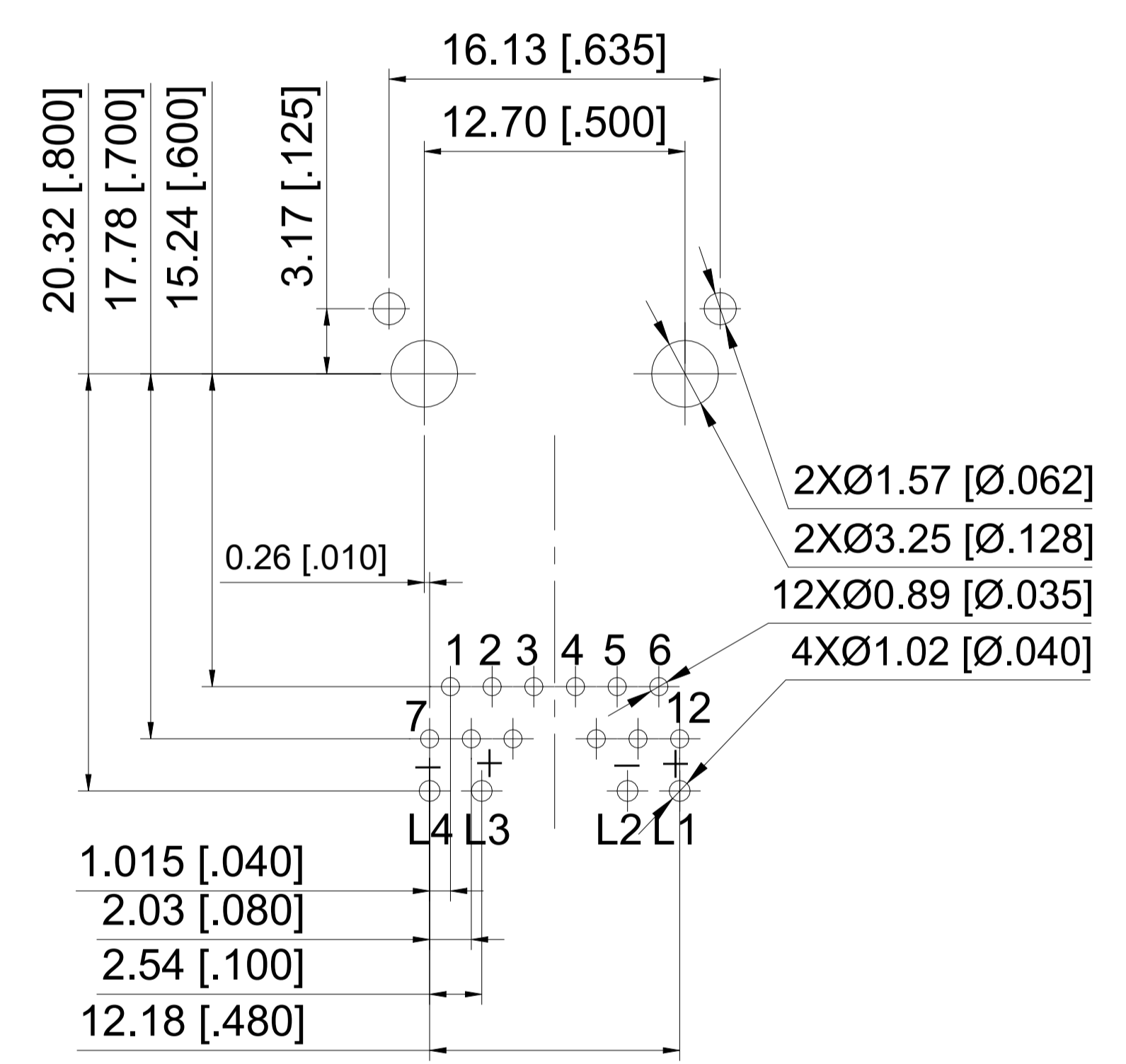
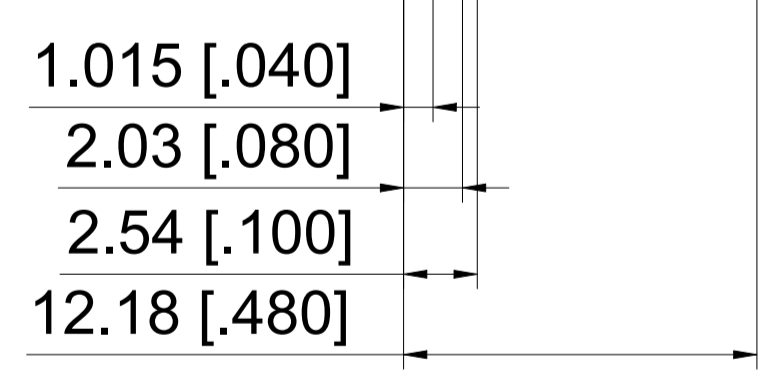
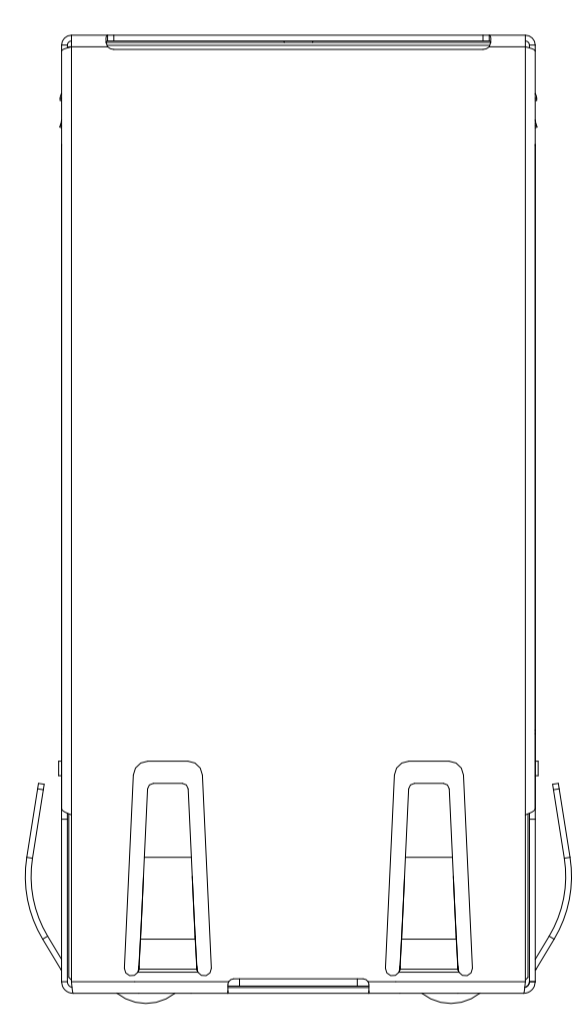
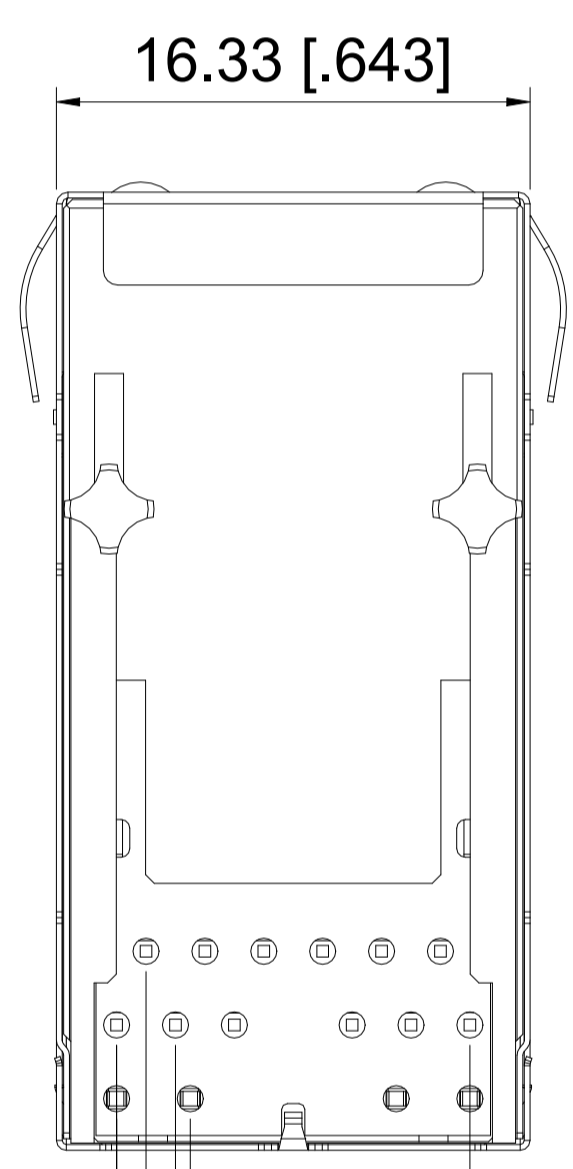
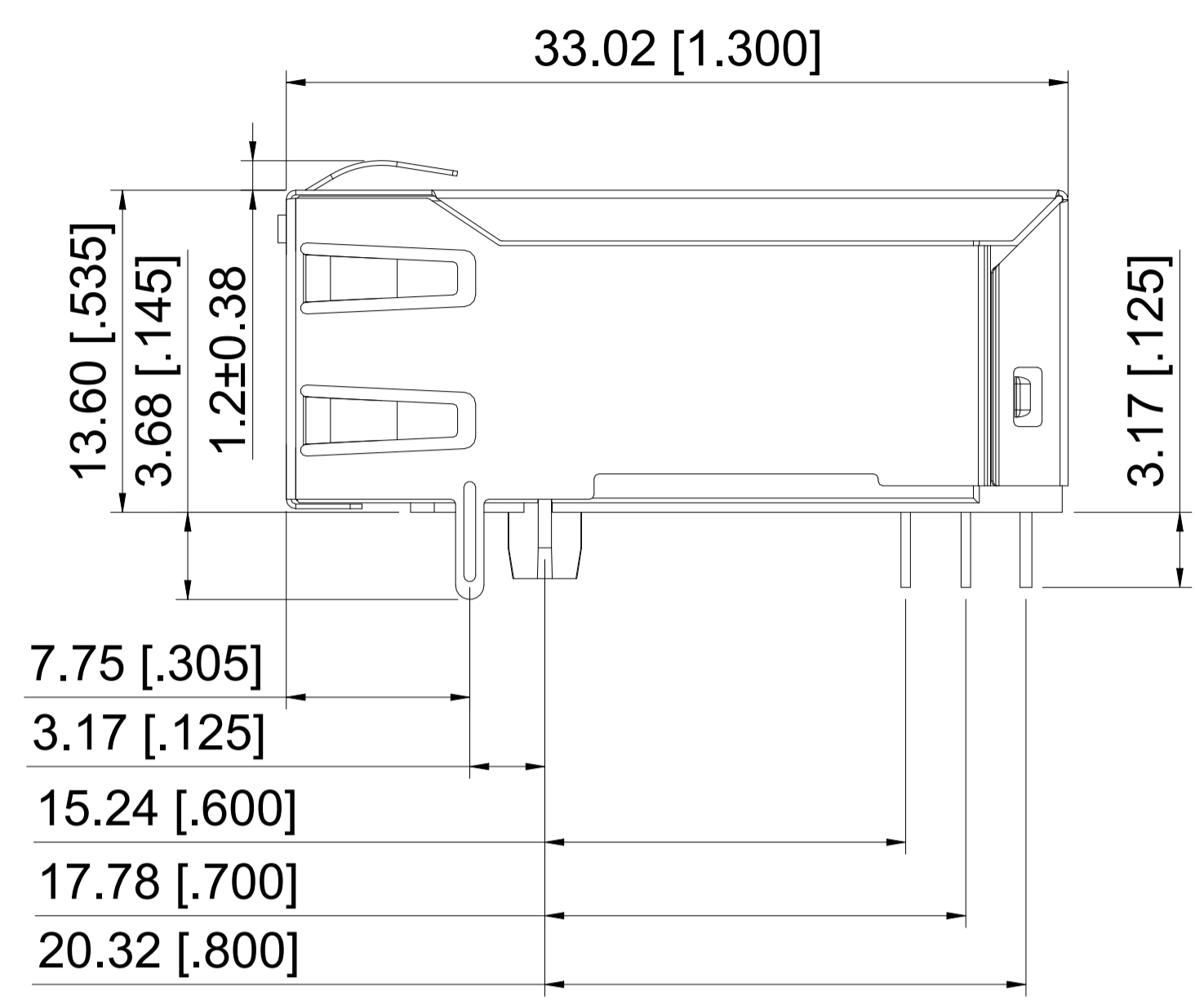
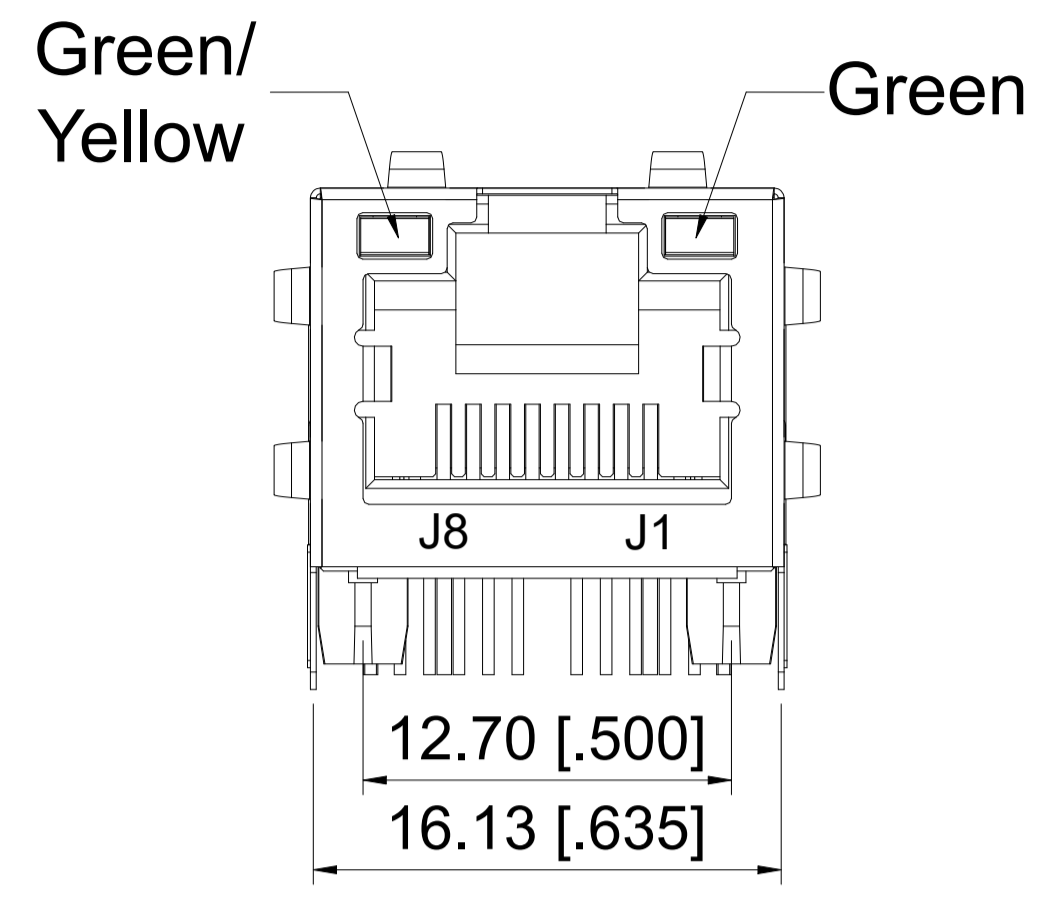


REVISIONS				
REV	DESCRIPTION	DATE	BY	APP'D
A	INITIAL RELEASE	11JUL2024	RK	PSS

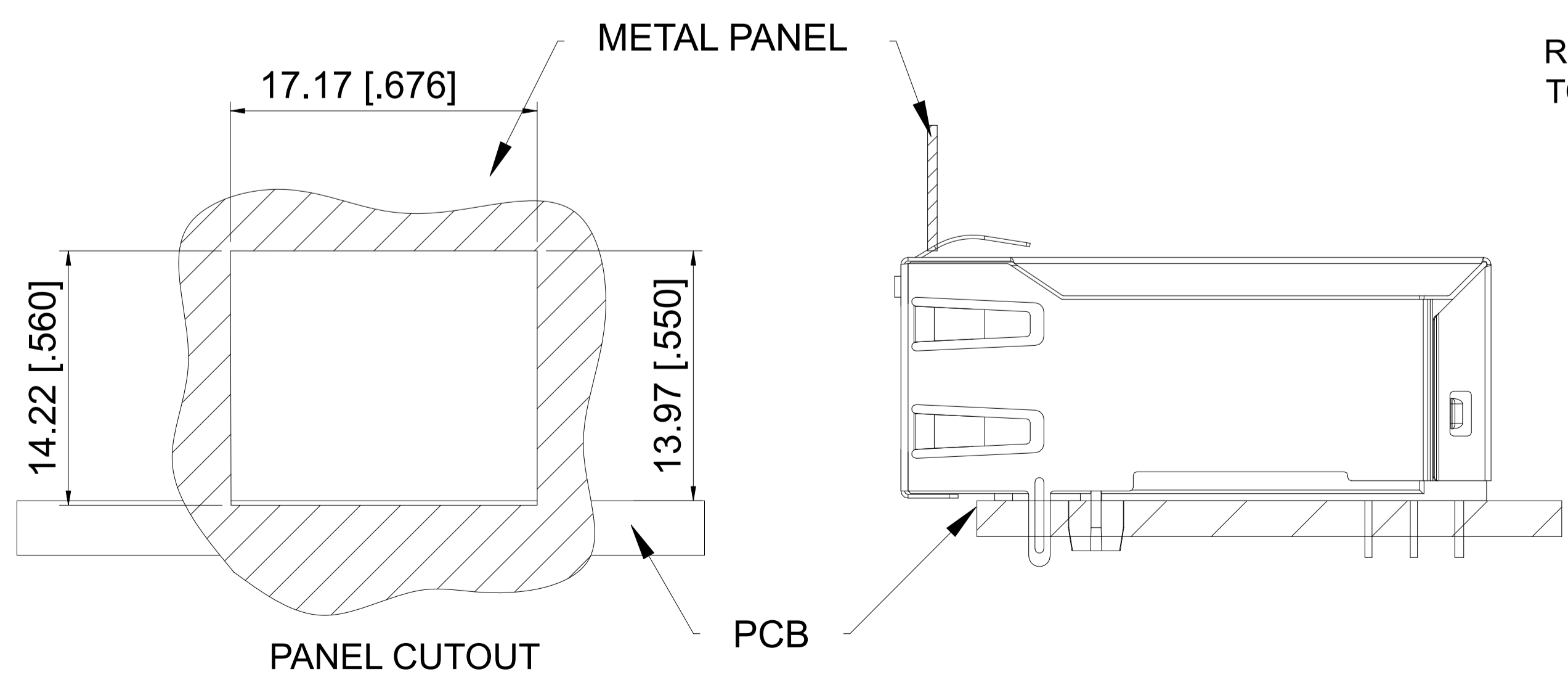
NOTES:

- 1.HOUSING MATERIAL:GLASS FILLED PA46(BLACK) UL94V-0(ROHS)
- 2.CONTACT: PHOSPHOR BRONZE,50 MICROINCHES MIN. OVERALL DUCTILE NICKEL UNDERPLATE WITH SELECTED (REFER P/N TABLE) MICROINCHES GOLD AT MATING INTERFACE
- 3.SHIELD:0.2mm THICKNESS WITH BRASS.
- 4.JACK CAVITY CONFORMS TO FCC RULES AND REGULATIONS PART 68 SUBPART F
- 5.THE PART IS RECOMMENDED FOR WAVE SOLDERING PROCESS PEAK SOLDERING TEMPERATURE IS 260°C MAX,10 SECS MAX.
- 6.OPERATING TEMPERATURE:-40°C TO +85°C.
STORAGE TEMPERATURE:-40°C TO +85°C.



RECOMMENDED P.C.B LAYOUT TOP VIEW (COMPONENT SIDE)

Dimension Tolerance:
All PCB LAYOUT
Tolerance:±0.05[.002]



GOLD PLATING THICKNESS	PART NUMBER
0.04572 μm [1.8μ"]	2489117-6
0.0762 μm [3μ"]	2489117-5
0.1524 μm [6μ"]	2489117-4
0.381 μm [15μ"]	2489117-3
0.762 μm [30μ"]	2489117-2
1.27 μm [50μ"]	2489117-1

THIS DRAWING IS A CONTROLLED DOCUMENT.

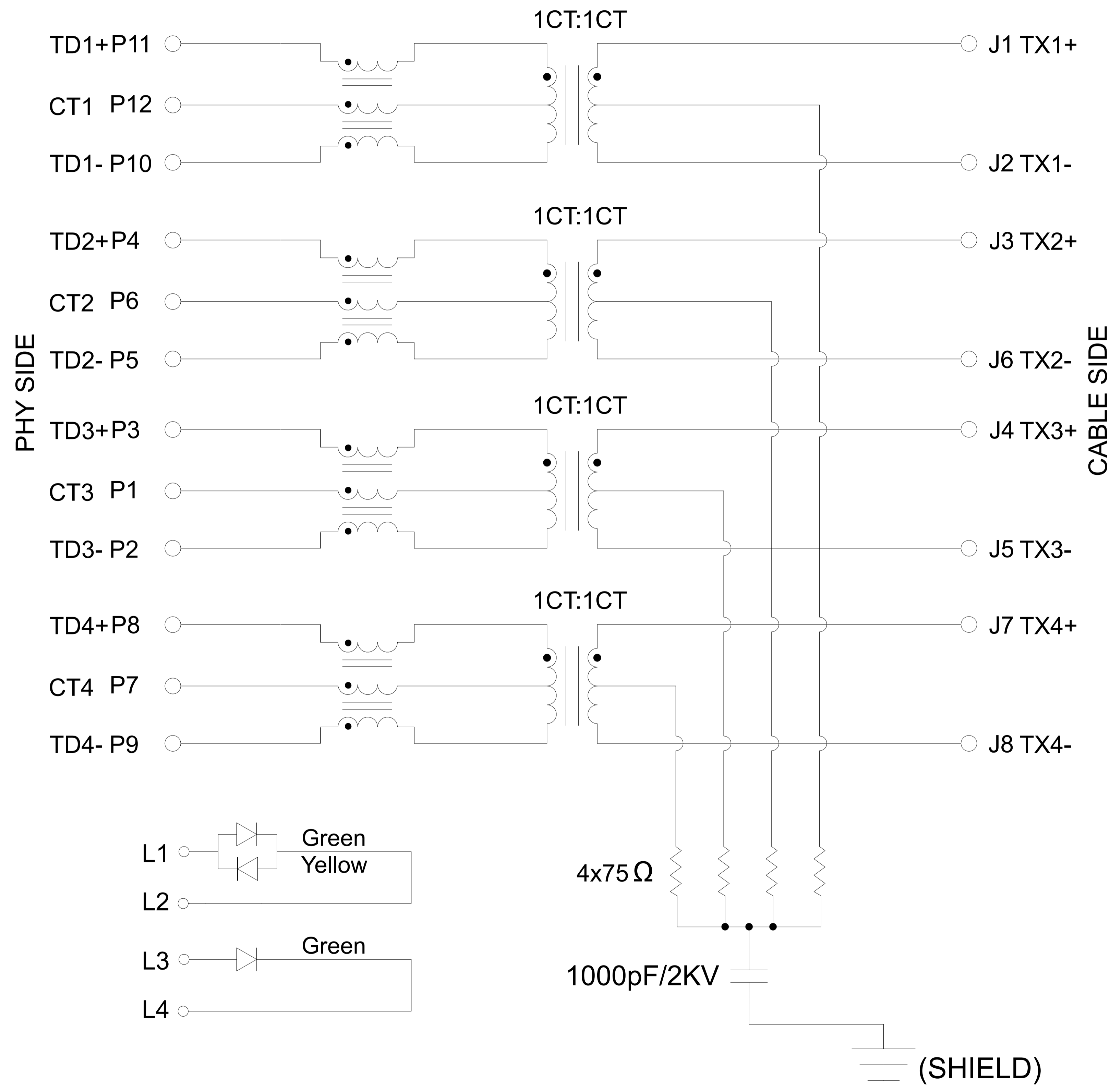
DIMENSIONS: mm [INCHES]	TOLERANCES UNLESS OTHERWISE SPECIFIED:	DWG: RAMESH_KIVADER 1.3JUN2024	CHK: RAMESH_KIVADER 1.3JUN2024	APVD: FPS_SATHISH 1.3JUN2024	NAME: RJ45 1X1 Tab_Up/Through Hole 10/100/1000Base-T W/LED
0. PLC ± 0.10	1. PLC ± 0.25	APPLIC: PRODUCT SPEC	APPLIC: PRODUCT SPEC	APPLIC: PRODUCT SPEC	SIZE: A1
2. PLC ± 0.25	3. PLC ± 0.25	APPLIC: APPLICATION SPEC	APPLIC: APPLICATION SPEC	APPLIC: APPLICATION SPEC	CAGE CODE: 00779
4. PLC ± 0.25	ANGLES ± 2	WEIGHT: 0	WEIGHT: 0	WEIGHT: 0	DRAWING NO: 2489117
MATERIAL: -	FINISH: -	CUSTOMER DRAWING	CUSTOMER DRAWING	CUSTOMER DRAWING	SCALE: 1:1

TE Connectivity

RESTRICTED TO

SHEET 1 OF 2 REV A

Schematic



PARAMETER	SPECIFICATIONS
OPERATING TEMPERATURE	-40°C To +85°C
TURNS RATIO	1:1±2%
INDUCTANCE(OCL)	350uH MIN@100KHz/100mV With 8mA DC Bias
INSERTION LOSS	-1.0dB MAX@0.3MHz-100MHz;
RETURN LOSS (Z out=100 OHM)	-18dB MIN@1MHz-30MHz; -16dB MIN@30MHz-60MHz; -12dB MIN@60MHz-80MHz; -10dB MIN@80MHz-100MHz;
CROSSTALK (ADJACENT CHANNELS)	-30dB MIN@1MHz-100MHz;
COMMON MODE REJECTION RATIO	-30dB MIN@1MHz-100MHz;
HI-POT	2250 VDC@60 SECONDS

LED SPECIFICATION			
STANDARD LED	WAVELENGTH	Forward V(max)	TYP
GREEN	570nm	2.4V	2.2V
YELLOW	590nm	2.5V	2.1V

*WITH A FORWARD CURRENT OF 20mA

REVISIONS				
REV	DATE	DESCRIPTION	BY	APP'D
-	-	SEE SHEET 1	-	-

THIS DRAWING IS A CONTROLLED DOCUMENT.		DWG: RAMESH_KIVADER 1.3JUN2024 CHK: RAMESH_KIVADER 1.3JUN2024 APVD: P.S. SATHISH 1.3JUN2024 PRODUCT SPEC: - APPLICATION SPEC: - MATERIAL: - FINISH: -		TE Connectivity NAME: RJ45 1X1 Tab_Up/Through Hole 10/100/1000Base-T W/LED SIZE: A1 CAGE CODE: 00779 DRAWING NO: 2489117 WEIGHT: - CUSTOMER DRAWING: -	
DIMENSIONS: mm [INCHES] TOLERANCES UNLESS OTHERWISE SPECIFIED: 0. PLC ± 0.10 1. PLC ± 0.25 2. PLC ± 0.25 3. PLC ± 0.25 4. PLC ± 0.25 ANGLES ± 2°		SCALE: 1:1 SHEET 2 OF 2 REV A		RESTRICTED TO: -	