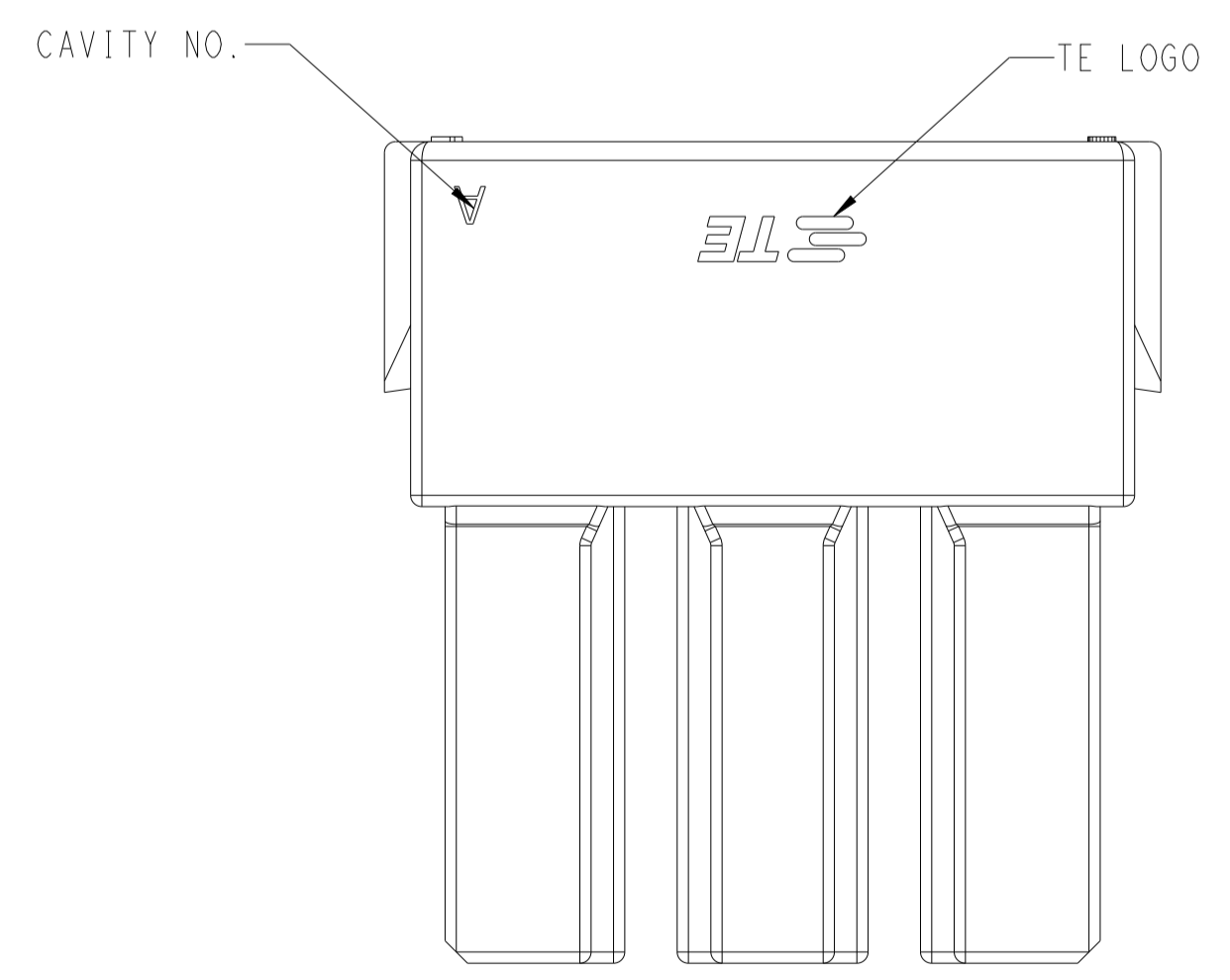
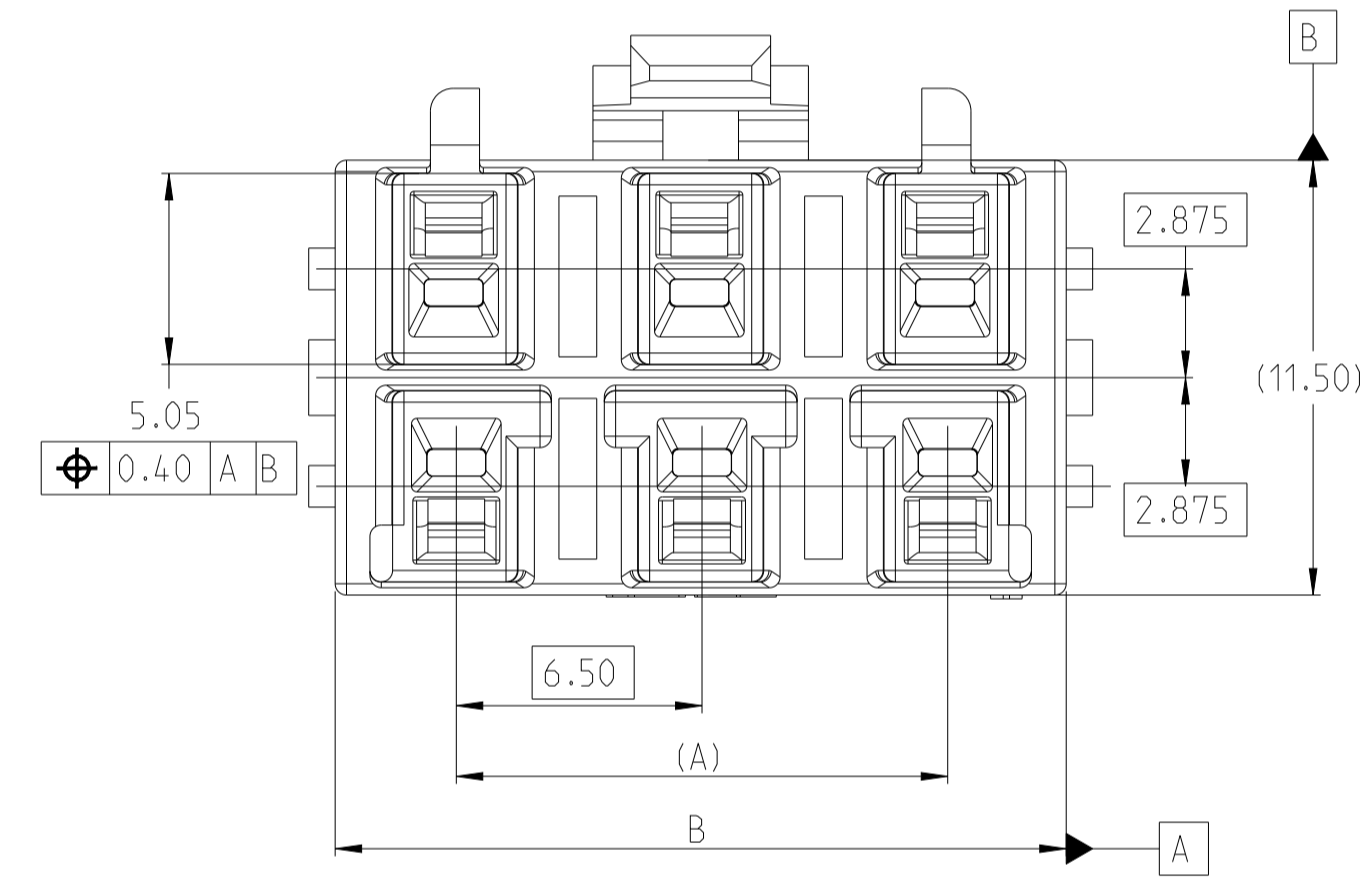
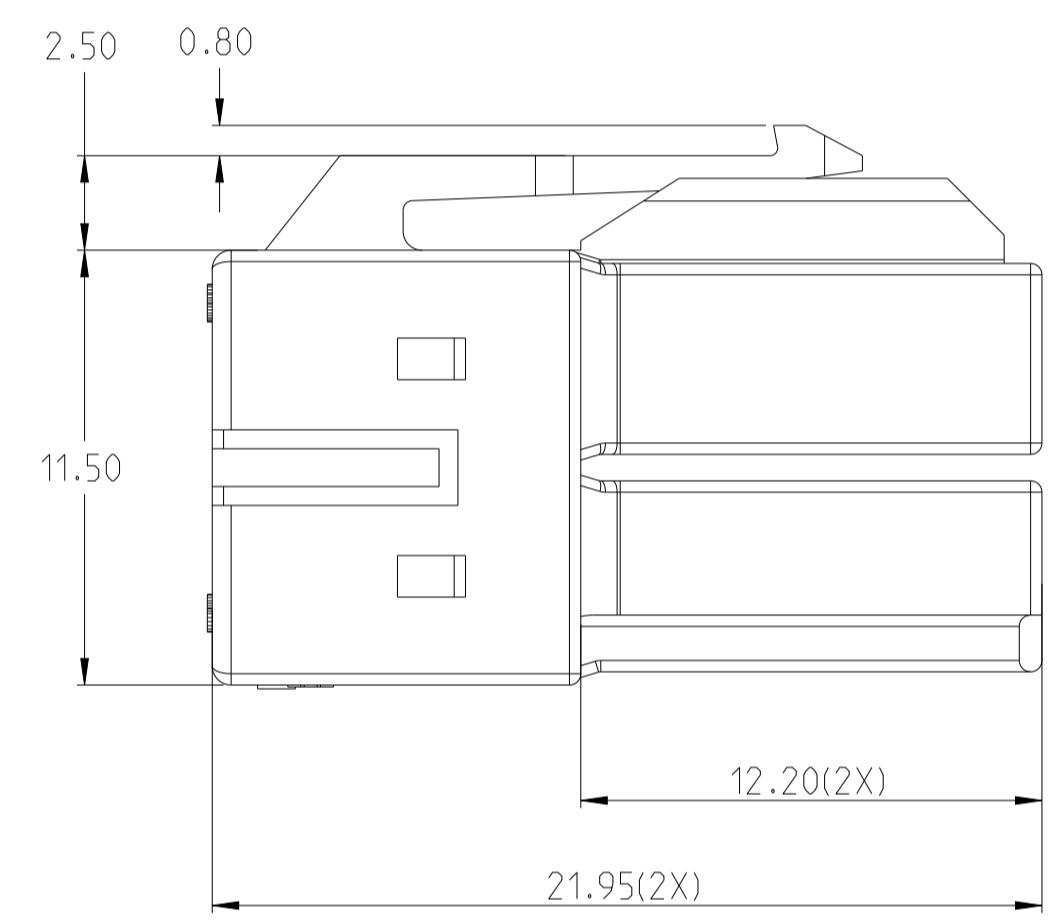
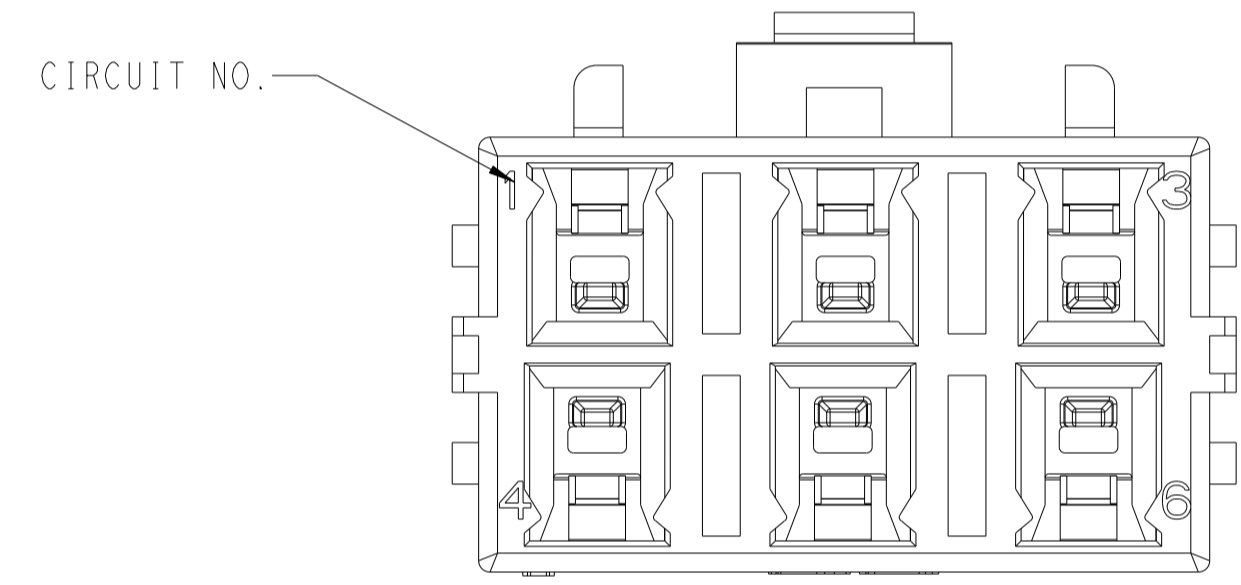
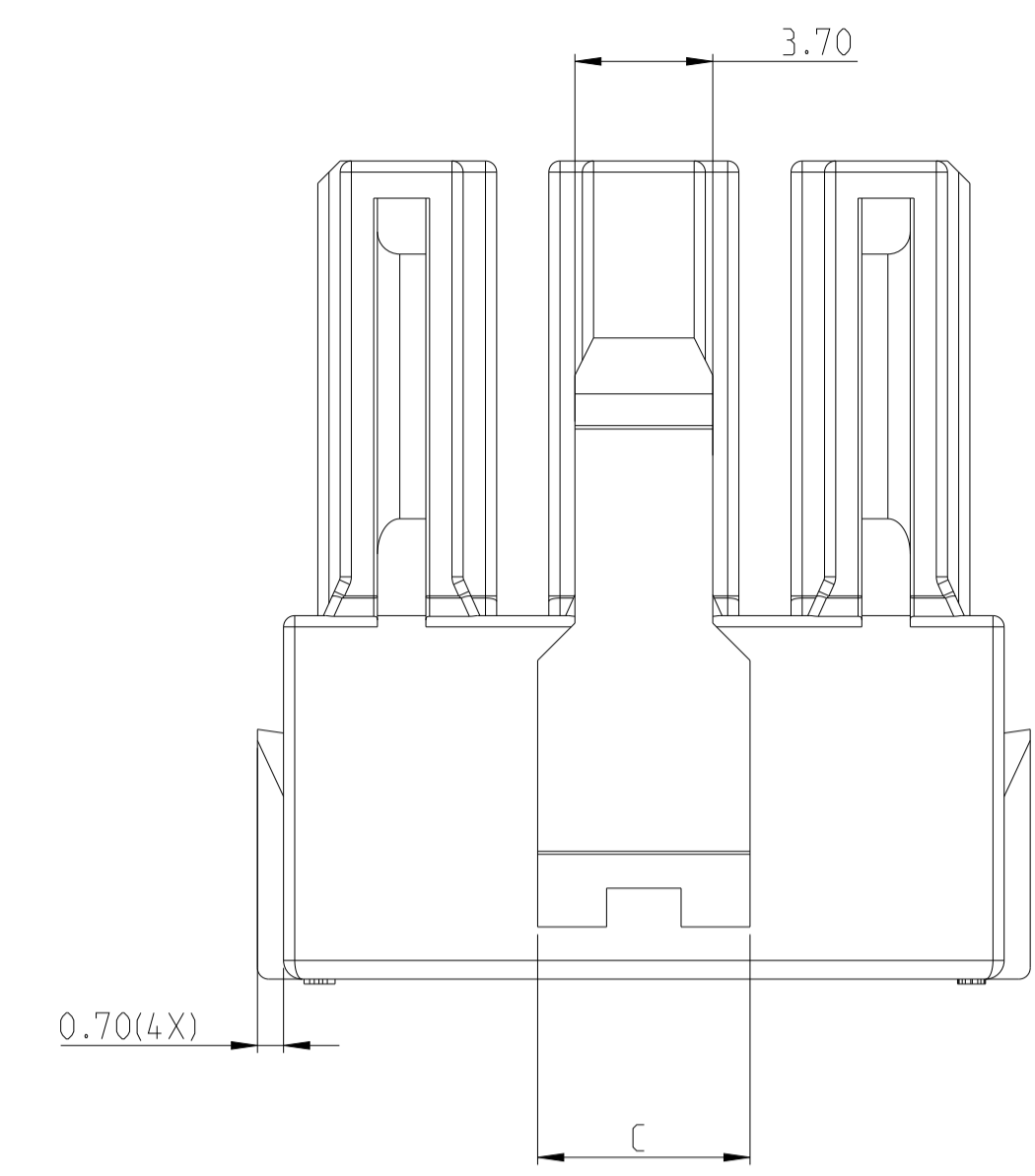


REVISIONS				
P	LTN	DESCRIPTION	DATE	APVD
A		REVISED PER ECN-24-269130	12 JUN 2024	DK LC

- 1. MATERIAL: PBT, UL94V-0
- 2. THIS HOUSING ACCEPTS TERMINAL: 2465656-1
- 3. RECOMMENDED MATING PART:  
HEADER: X-2465614-X



2-2465651-6 SHOWN

6	13.00	19.34	5.70	REFER TO SHEET 4
4	6.50	12.84	3.70	REFER TO SHEET 3
2	-	6.34	5.70	REFER TO SHEET 2
POSITION	A	B	C	PART NUMBER

THIS DRAWING IS A CONTROLLED DOCUMENT.

DIMENSIONS:	TOLERANCES UNLESS OTHERWISE SPECIFIED:	0 PLC ±	1 PLC ±	2 PLC ±0.2	3 PLC ±	4 PLC ±	ANGLES ±	FINISH
MATERIAL:								

APVD: DANIEL ZHANG  
 PRODUCT SPEC: 108-160978  
 APPLICATION SPEC: 116-160619  
 WEIGHT: -  
 CUSTOMER DRAWING

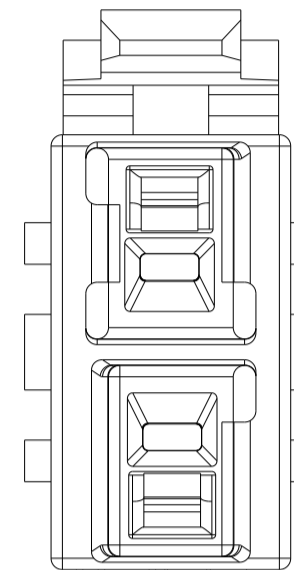
NAME: PLUG HOUSING, QP 6.5  
 SIZE: A | 00779 | C=2465651  
 SCALE: 4:1 SHEET 1 OF 4 REV A

TE Connectivity

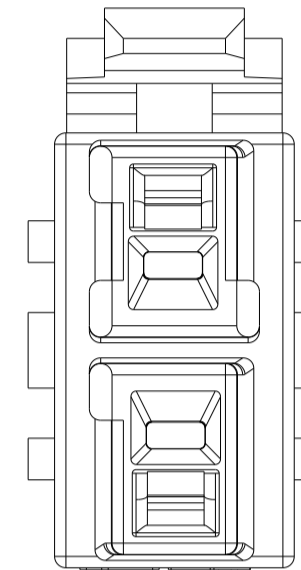
REVISIONS				
P	LTN	DESCRIPTION	DATE	APPD
-		SEE SHEET 1	-	-

HOUSING WITH KEYING FEATURES AND COLORS FOR 2P

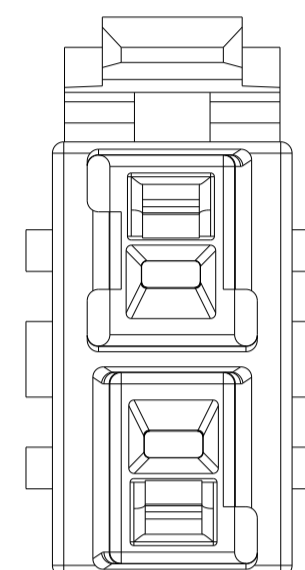
2465651-1  
KEYING 1,ORANGE



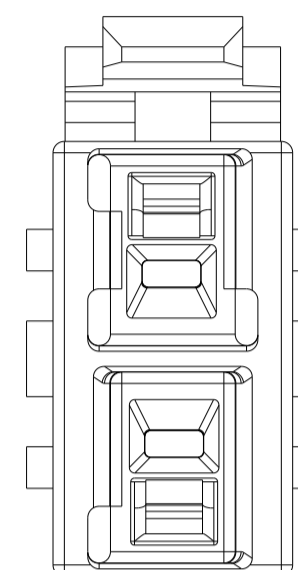
2465651-2  
KEYING 2,BLUE



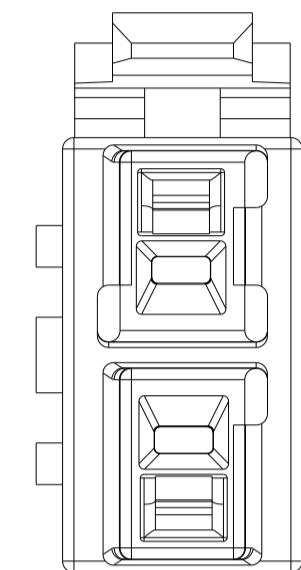
2465651-3  
KEYING 3,GRAY



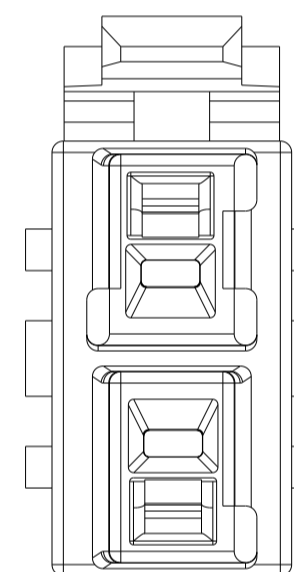
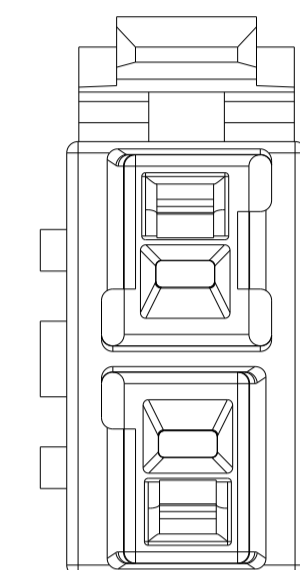
2465651-4  
KEYING 4,YELLOW



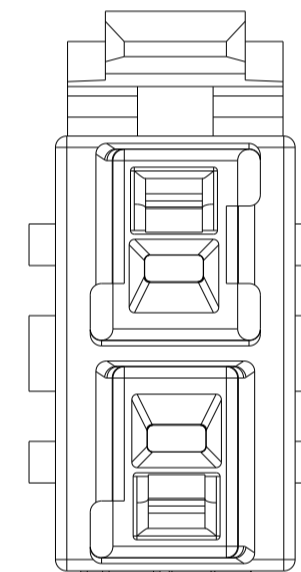
2465651-5  
KEYING 5,PURPLE



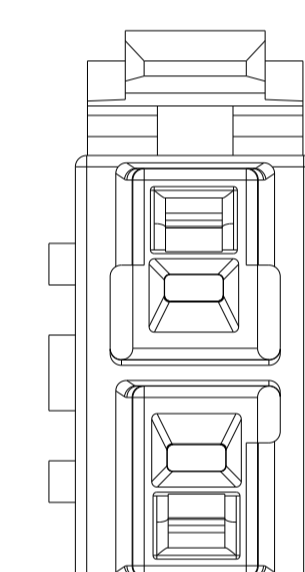
2465651-6  
KEYING 6,PINK



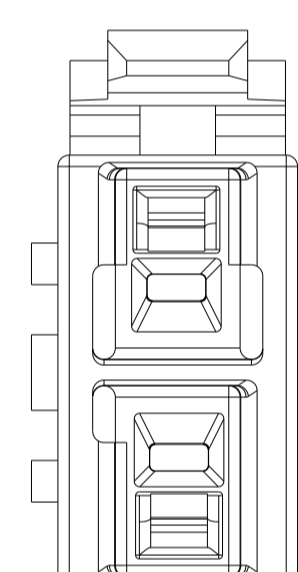
2465651-7  
KEYING 7,BLACK



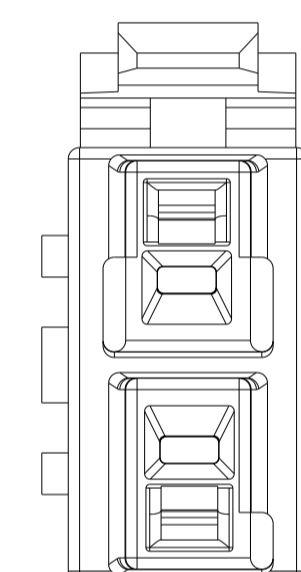
2465651-8  
KEYING 8,GREEN



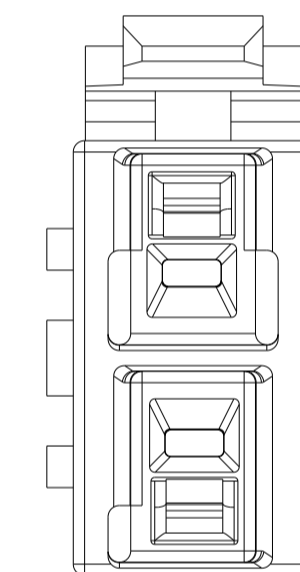
2465651-9  
KEYING 9,BROWN



1-2465651-0  
KEYING 10,RED



1-2465651-1  
KEYING 11,MINT



1-2465651-2  
KEYING 12,NATURAL

12	1-2465651-2	NATURAL
11	1-2465651-1	MINT
10	1-2465651-0	RED
9	2465651-9	BROWN
8	2465651-8	GREEN
7	2465651-7	BLACK
6	2465651-6	PINK
5	2465651-5	PURPLE
4	2465651-4	YELLOW
3	2465651-3	GRAY
2	2465651-2	BLUE
1	2465651-1	ORANGE
KEYING	PART NUMBER	COLOR

THIS DRAWING IS A CONTROLLED DOCUMENT.

DWN: MADHUVARSHINI M 21SEP2023  
 CHK: CHEN OTTO 21SEP2023  
 APVD: DANIEL ZHANG 21SEP2023

NAME: PLUG HOUSING, QP 6.5  
 SIZE: A | CAGE CODE: 00779 | DRAWING NO: 2465651  
 SCALE: 5:1 | SHEET: 2 OF 4 | REV: A

DIMENSIONS: mm  
 TOLERANCES UNLESS OTHERWISE SPECIFIED:  
 0 PLC ±  
 1 PLC ±0.2  
 2 PLC ±  
 3 PLC ±  
 4 PLC ±  
 ANGLES ±  
 FINISH: 1

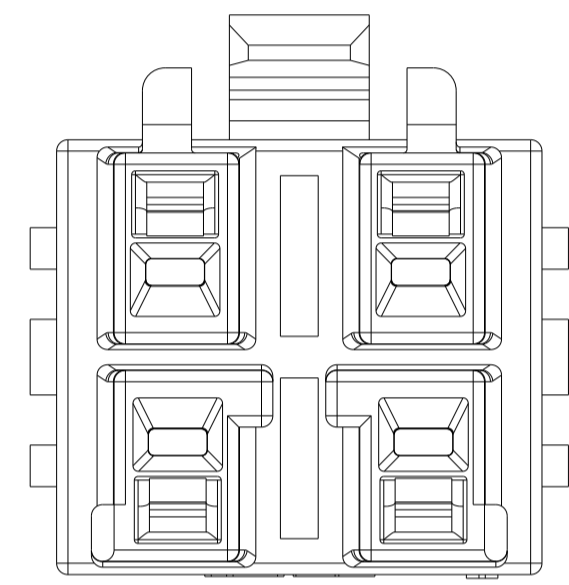
MATERIAL: CUSTOMER DRAWING  
 WEIGHT: -  
 FINISH: -

APPLIC: 108-160978  
 APPLIC: 116-160619

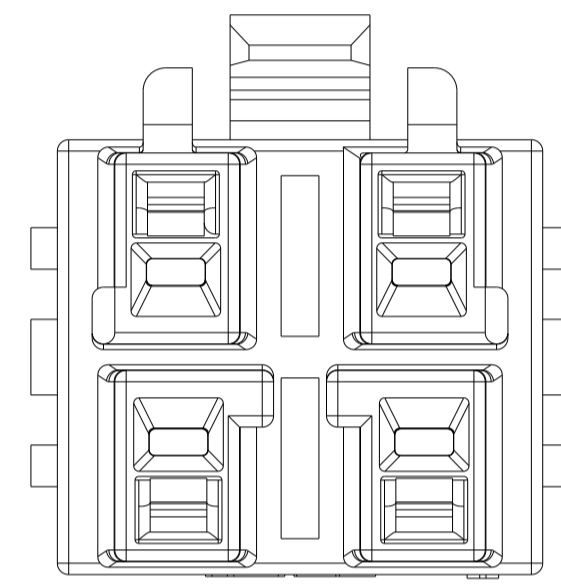
RESTRICTED TO: -

REVISIONS				
P	LTN	DESCRIPTION	DATE	APVD
-		SEE SHEET 1	-	-

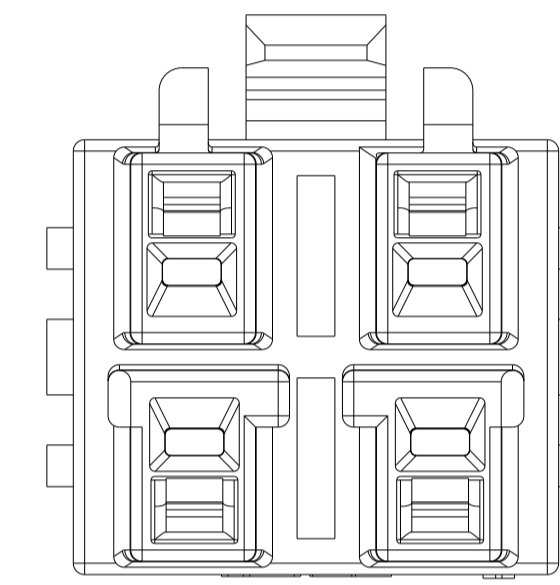
HOUSING WITH KEYING FEATURES AND COLORS FOR 4P



2-2465651-4  
KEYING 1.BLUE



3-2465651-4  
KEYING 2.BLACK



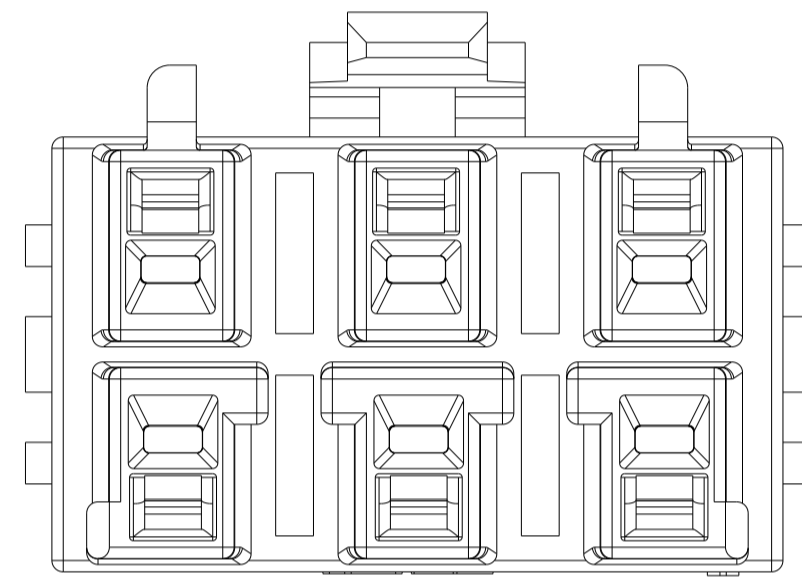
4-2465651-4  
KEYING 3.NATURAL

3	4-2465651-4	NATURAL
2	3-2465651-4	BLACK
1	2-2465651-4	BLUE
KEYING	PART NUMBER	COLOR

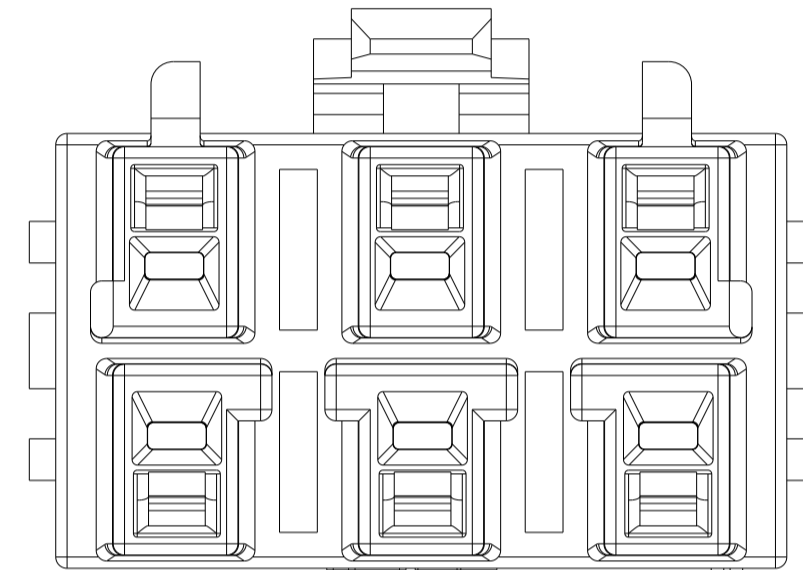
THIS DRAWING IS A CONTROLLED DOCUMENT.		DWN: MADHUVARSHINI M 21SEP2023	
DIMENSIONS: mm		CHK: CHEN OTTO 21SEP2023	
TOLERANCES UNLESS OTHERWISE SPECIFIED:		APVD: DANIEL ZHANG 21SEP2023	NAME: PLUG HOUSING, QP 6.5 SIZE: A   CAGE CODE: 00779   DRAWING NO: C=2465651
0 PLC ± 1 PLC ± 2 PLC ±0.2 3 PLC ± 4 PLC ± ANGLES ± FINISH ±		PRODUCT SPEC: 108-160978 APPLICATION SPEC: 116-160619 WEIGHT: - CUSTOMER DRAWING	
MATERIAL:		RESTRICTED TO: -	SCALE: 5:1   SHEET: 3 OF 4   REV: A

REVISIONS				
P	LTN	DESCRIPTION	DATE	APVD
-		SEE SHEET 1	-	-

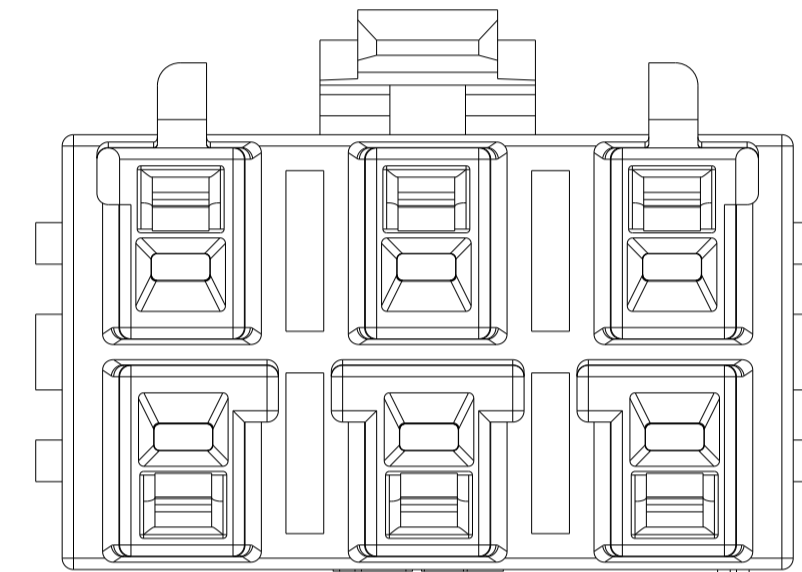
HOUSING WITH KEYING FEATURES AND COLORS FOR 6P



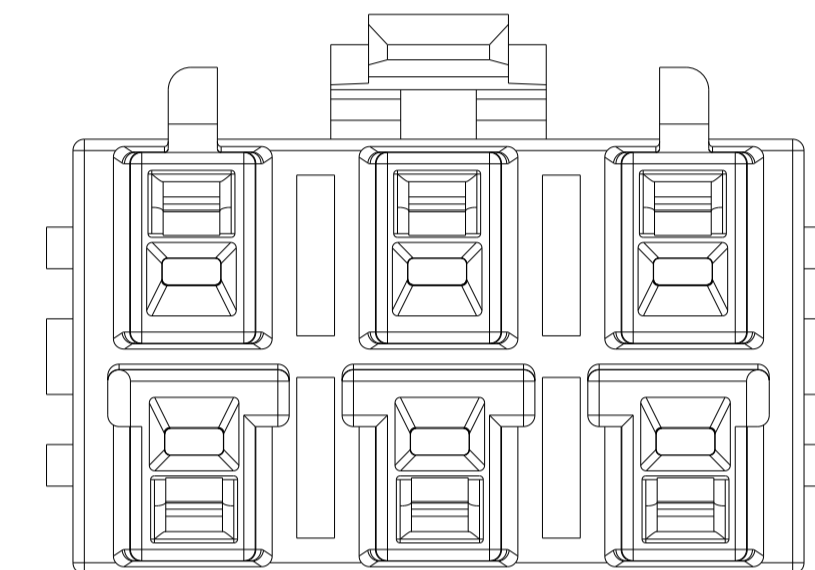
2-2465651-6  
KEYING 1.BLUE



3-2465651-6  
KEYING 2.BLACK



4-2465651-6  
KEYING 3.RED



5-2465651-6  
KEYING 4.NATURAL

4	5-2465651-6	NATURAL
3	4-2465651-6	RED
2	3-2465651-6	BLACK
1	2-2465651-6	BLUE
KEYING	PART NUMBER	COLOR

THIS DRAWING IS A CONTROLLED DOCUMENT.		DWN: MADHUVARSHINI M 21SEP2023	
DIMENSIONS: mm		CHK: CHEN OTTO 21SEP2023	
TOLERANCES UNLESS OTHERWISE SPECIFIED:		APVD: DANIEL ZHANG 21SEP2023	NAME: PLUG HOUSING, QP 6.5 SIZE: A   CAGE CODE: 00779   DRAWING NO: C=2465651
0 PLC ± 1 PLC ± 2 PLC ±0.2 3 PLC ± 4 PLC ± ANGLES ± FINISH ±		PRODUCT SPEC: 108-160978 APPLICATION SPEC: 116-160619 WEIGHT: - CUSTOMER DRAWING	
MATERIAL: 1		RESTRICTED TO: -	SCALE: 5:1   SHEET: 4 OF 4   REV: A