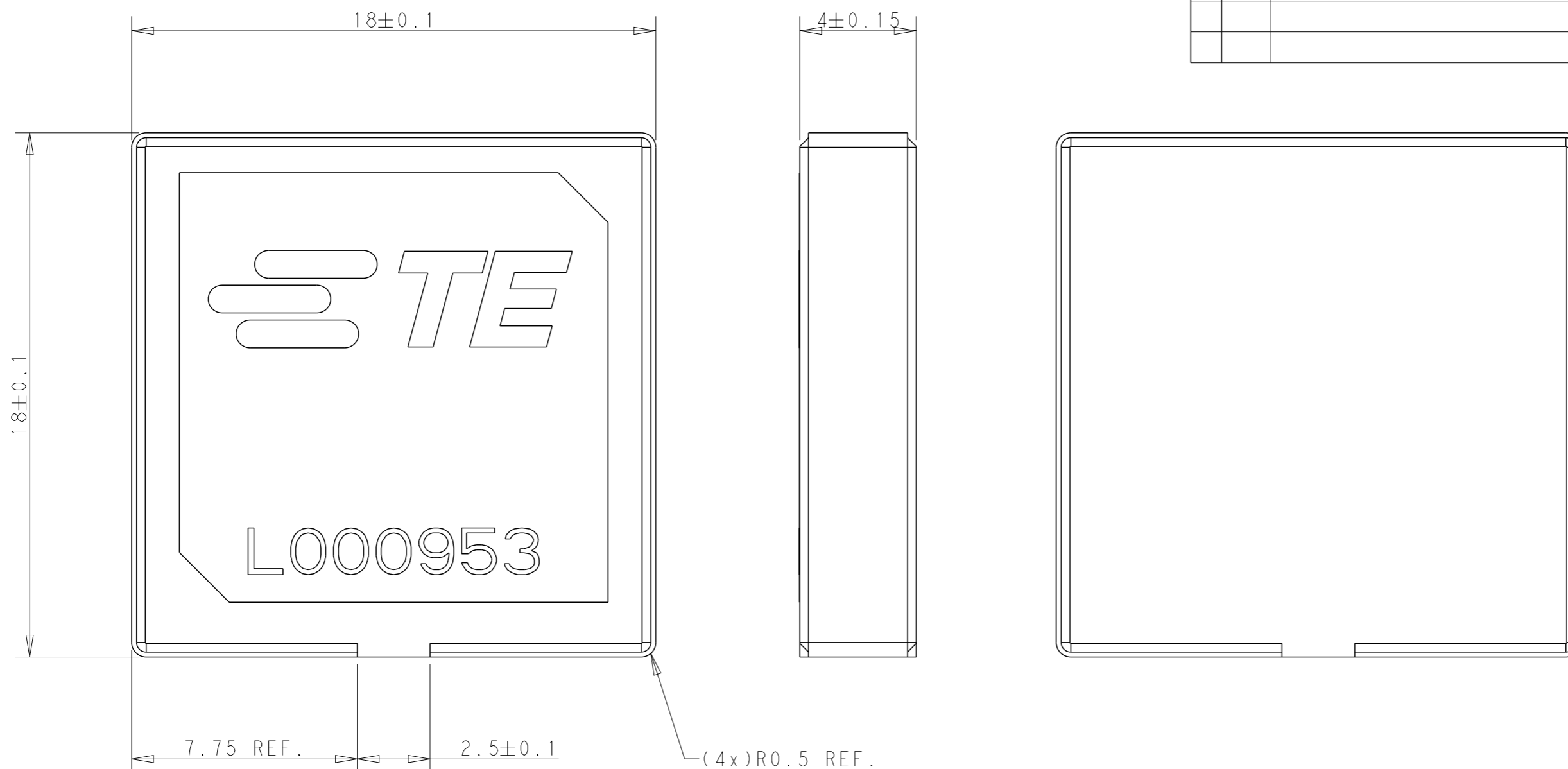


P	LTR	DESCRIPTION	DATE	DWN	APVD
	A	REVISED PER ECN-24-287474	07OCT2024	DW	VK



TE

L000953

NOTES: UNLESS OTHERWISE SPECIFIED.

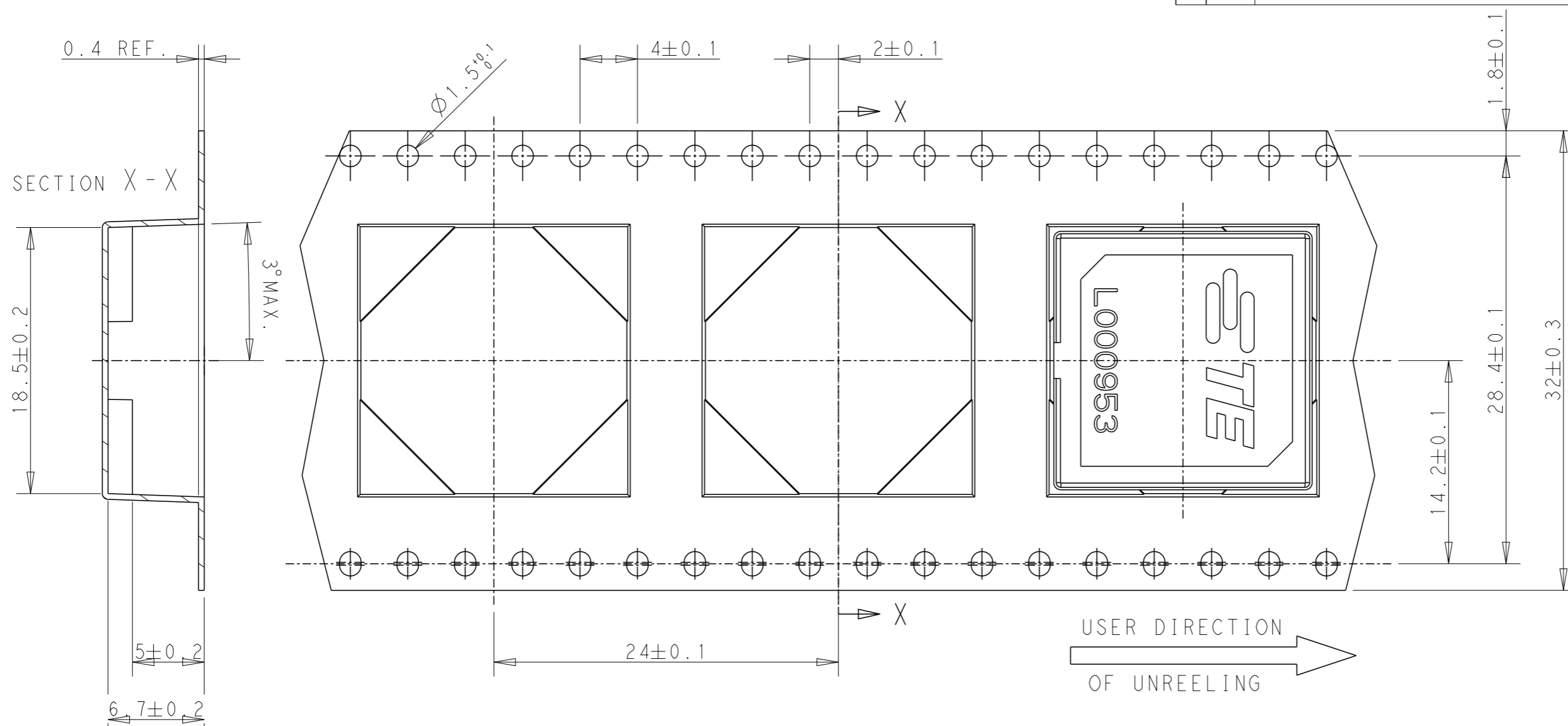
1. MATERIAL : CERAMIC
2. CONSULT TE CONNECTIVITY DATA SHEET : L000953
3. CONTACT TE CONNECTIVITY ENGINEERING PRIOR TO DESIGNIN INTO AN APPLICATION.
4. PACKAGING : TAPE AND REEL PACKAGED, SEE SHEET 2

TAPE AND REELED	L000953-01
PACKAGING	PART NUMBER

THIS DRAWING IS A CONTROLLED DOCUMENT.		DWN	DW.PARK	08JUL2024		TE Connectivity Ceramic Chip ant, 1575-1602MHz, 18x18x4
DIMENSIONS:		CHK	SJ.NOH	08JUL2024		
mm		APVD	NG.WEITAT	08JUL2024		
		PRODUCT SPEC		-		
TOLERANCES UNLESS OTHERWISE SPECIFIED:		APPLICATION SPEC		-	NAME	-
0 PLC	±-	WEIGHT		-	SIZE	A3
1 PLC	±-	CUSTOMER DRAWING		-	CAGE CODE	300779
2 PLC	±-	SCALE		1:1	DRAWING NO	C=L000953
3 PLC	±-	SHEET		1 OF 4	RESTRICTED TO	-
4 PLC	±-	REV		A		
ANGLES	±-					
MATERIAL	-					
FINISH	-					

AS SHOWN L000953-01
ANTENNA WITH REEL PACKAGING
REFERENCE ONLY

P	LTR	DESCRIPTION	DATE	DWN	APVD
		SEE SHEET 1			



NOTES.

1. UNLESS OTHERWISE SPECIFIED TOLERANCE PER EIA-481-D

2. ORIENT PARTS AS SHOWN.

3. MATERIAL : P.S 0.4mm THICKNESS, COLOR : BLACK, CONDUCTIVE
WHEN ALTERNATIVEMATERIAL (PET, P.P) USE, CONSULT ECO PRIOR TO MANUFACTURER.

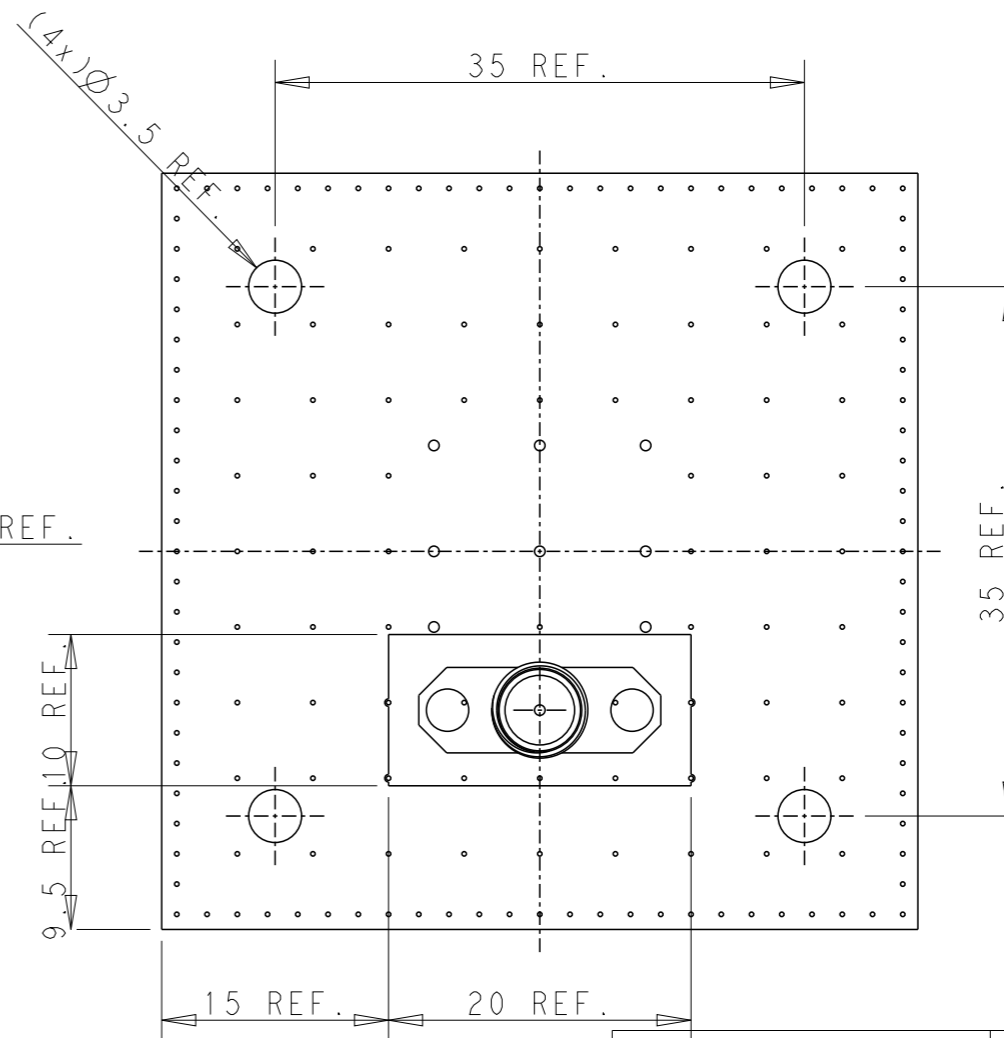
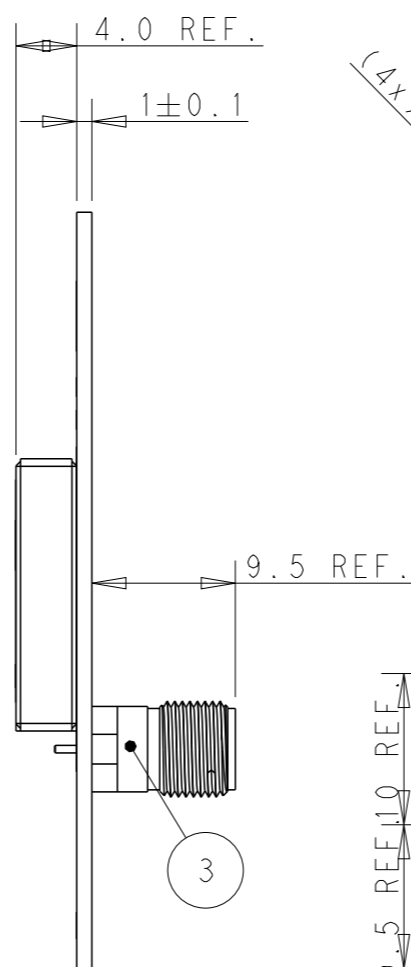
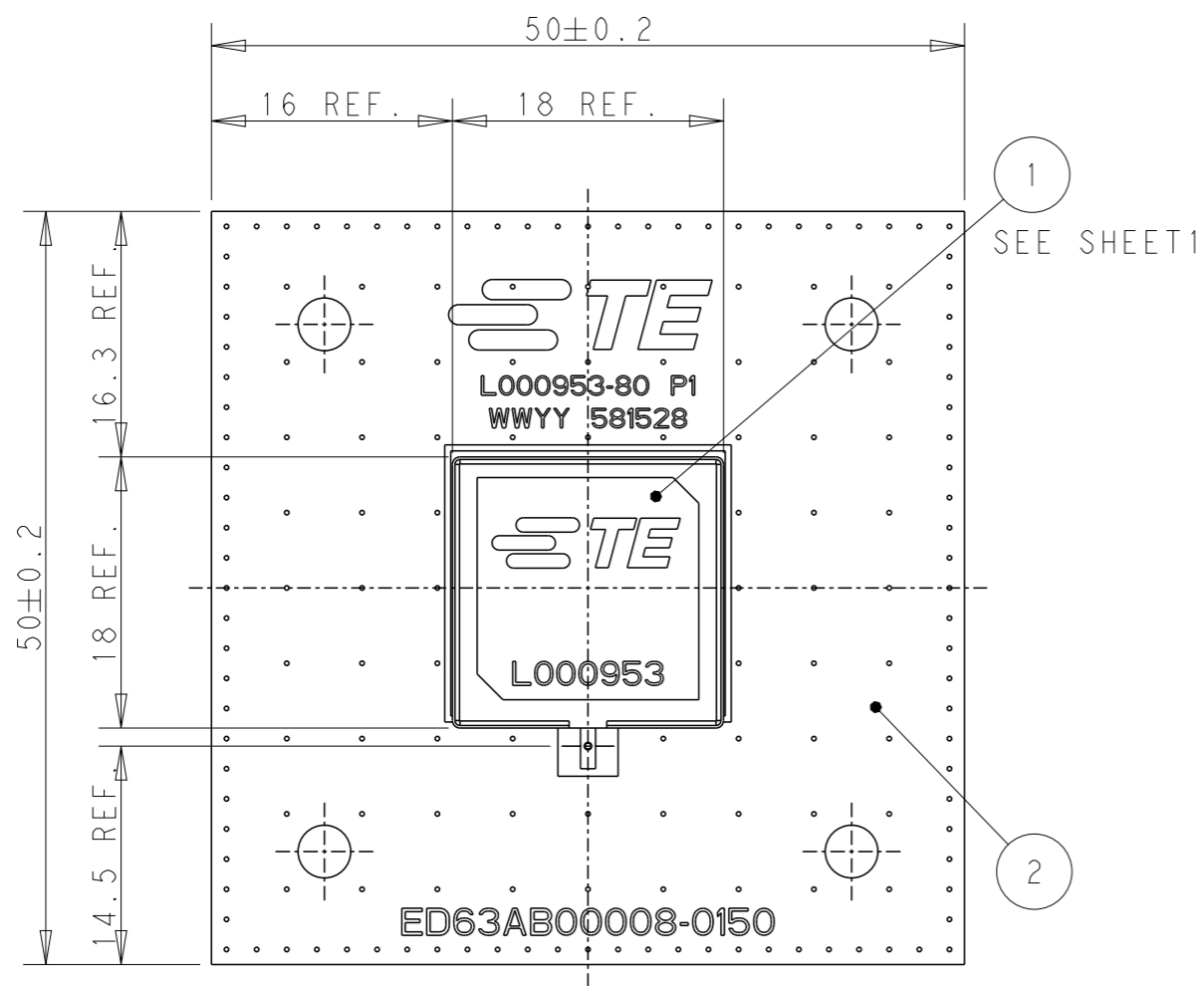
4. Q'TY/REEL : 150 PCS/REEL

THIS DRAWING IS A CONTROLLED DOCUMENT.		DWN DW.PARK	08JUL2024	TE Connectivity NAME Ceramic Chip ant, 1575-1602MHz, 18x18x4			
DIMENSIONS: mm		CHK SJ.NOH	08JUL2024				
		APVD NG.WEITAT	08JUL2024				
TOLERANCES UNLESS OTHERWISE SPECIFIED:		PRODUCT SPEC					
0 PLC ±- 1 PLC ±- 2 PLC ±- 3 PLC ±- 4 PLC ±- ANGLES ±-		APPLICATION SPEC		RESTRICTED TO			
MATERIAL		WEIGHT		SIZE A3	CAGE CODE 00779	DRAWING NO L000953	
		CUSTOMER DRAWING		SCALE 1:1		SHEET 2 OF 4	REV A

ANTENNA WITH EVB ASS'Y

REVISIONS

P	LTR	DESCRIPTION	DATE	DWN	APVD
		SEE SHEET 1			



NOTES: UNLESS OTHERWISE SPECIFIED.

- MATERIAL : SEE TABLE.
- FINISH : EVB ASSEMBLY WITH SOLDER PROCESS

3. SILKSCREEN : WHITE EPOXY INK
 A. TE LOGO, TE P/N
 B. WORD REV., FOLLOWED BY THE LATEST REVISION, AS SHOWN/
 C. 4 DIGITS DATE CODE : FIRST 2 DIGITS FOR THE WEEK CODE AND THE 2ND TWO DIGITS FOR THE YEAR CODE.
 OTHERS : SPECIFIED TE SOURCE CODE NUMBER DIGITS AS REQUIRED.

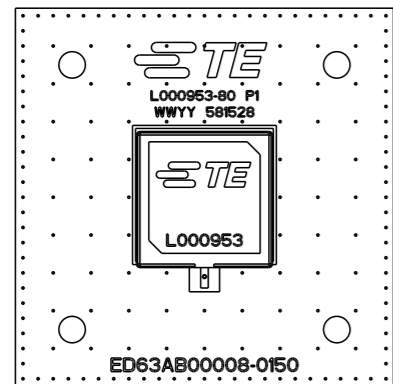
- CONSULTS TE CONNECTIVITY DATA SHEET L000953
- CONTACT TE CONNECTIVITY ENGINEERING PRIOR TO DESIGNING INTO AN APPLICATION.
- PACKAGING: SECURELY VACUUM PACKAGED IN BULK.

VACUUM IN BULK		L000953-80
PACKAGING		PART NUMBER
1	SMA FEMALE CONNECTOR	3
1	EVB	2
1	L000953-01 ANTENNA	1
Q'TY (PC)	DESCRIPTION	ITEM

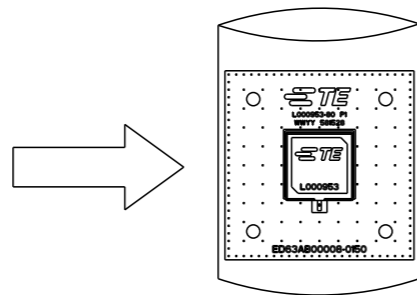
THIS DRAWING IS A CONTROLLED DOCUMENT.		DWN DW.PARK 08JUL2024	TE Connectivity NAME Ceramic Chip ant, 1575-1602MHz, 18x18x4	
DIMENSIONS: mm		CHK SJ.NOH 08JUL2024		
TOLERANCES UNLESS OTHERWISE SPECIFIED:		APVD NG.WEITAT 08JUL2024		
0 PLC ±- 1 PLC ±- 2 PLC ±- 3 PLC ±- 4 PLC ±- ANGLES ±-		PRODUCT SPEC -		
MATERIAL -		FINISH -	APPLICATION SPEC -	RESTRICTED TO -
-		WEIGHT -	SIZE A3	CAGE CODE 00779
-		CUSTOMER DRAWING	DRAWING NO C=L000953	SCALE 2:1
			SHEET 3 OF 4	REV A

P	LTR	DESCRIPTION	DATE	DWN	APVD
		SEE SHEET 1			

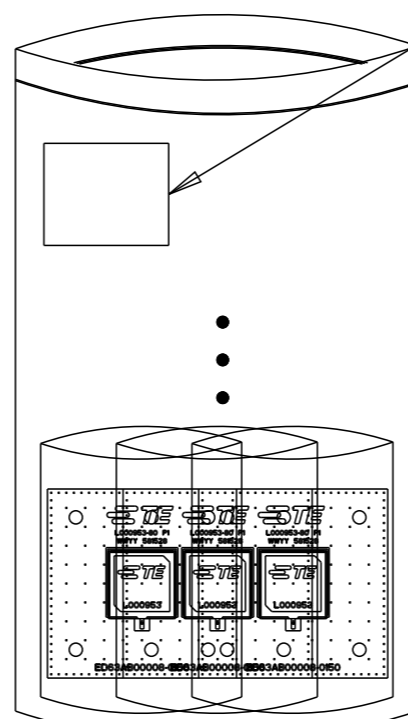
PACKAGING SPECIFICATIONS FOR REFERENCE



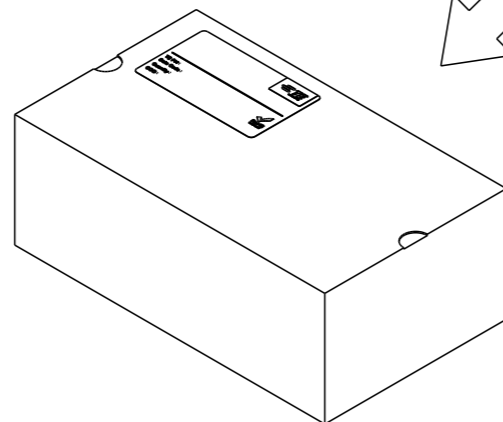
ANTENNA WITH EVB ASS'Y



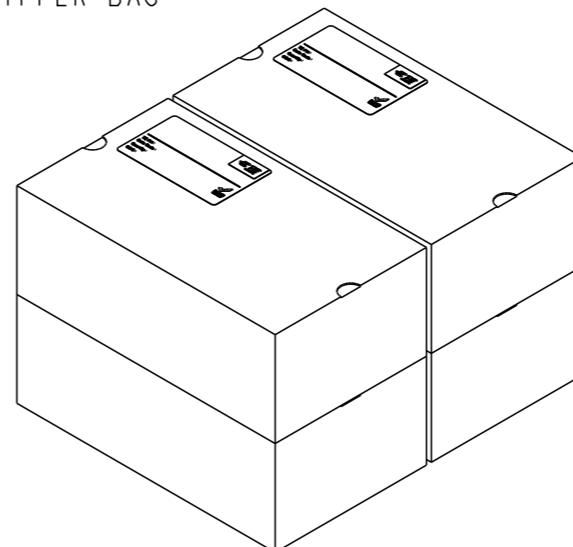
IPC/BAG
DRYING AGENT : IPC/BAG



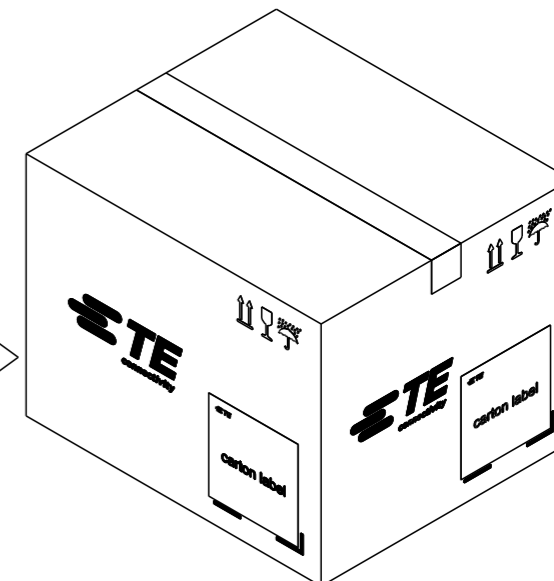
10PCS/ZIPPER BAG



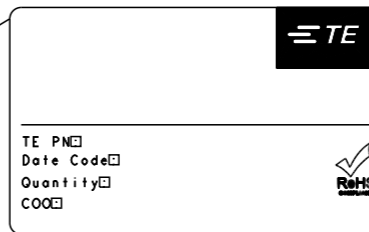
4 ZIPPER BAGS/BOX
40PCS/BOX
BOX SIZE : 154x263x96(MM)



4 BOXES



4 BOXES/CARTON
160PCS/CARTON
SIZE : 330x280x254(MM)



THIS DRAWING IS A CONTROLLED DOCUMENT.		DWN DW.PARK	08JUL2024	TE Connectivity NAME Ceramic Chip ant, 1575-1602MHz, 18x18x4	
DIMENSIONS: mm		CHK S.J.NOH	08JUL2024		
TOLERANCES UNLESS OTHERWISE SPECIFIED:		APVD NG.WEITAT	08JUL2024		
0 PLC ±- 1 PLC ±- 2 PLC ±- 3 PLC ±- 4 PLC ±- ANGLES ±-		PRODUCT SPEC	-		
MATERIAL		FINISH	-	APPLICATION SPEC	-
-		-		WEIGHT	-
-		-		CUSTOMER DRAWING	SCALE 1:1
		SIZE	A3	CAGE CODE	00779
		DRAWING NO	C=L000953		RESTRICTED TO
				REV	A