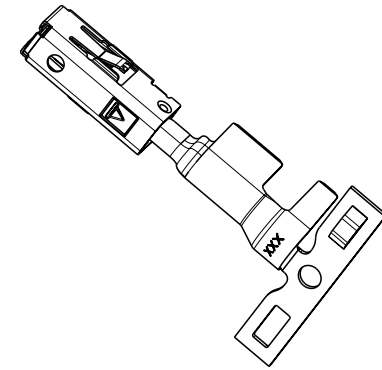


P	LTR	DESCRIPTION	DATE	DWN	APVD
	A	INITIAL RELEASE	11SEP2024	J.Z	W.Z

2:1

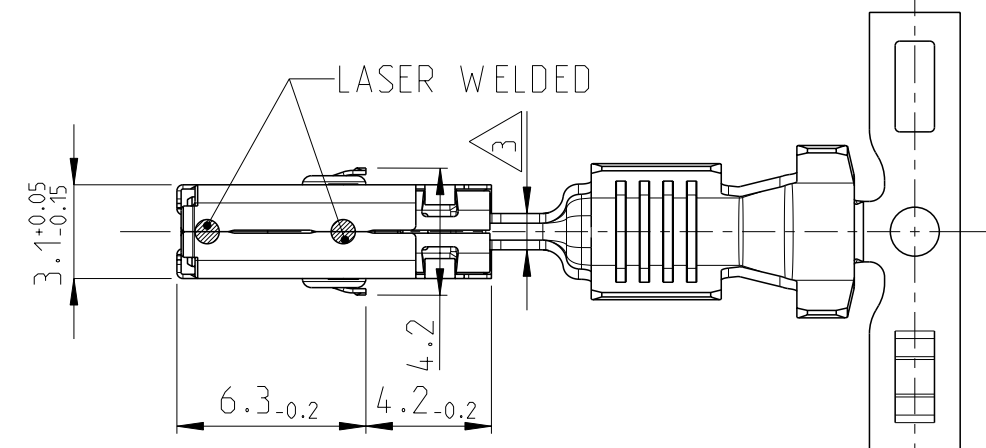
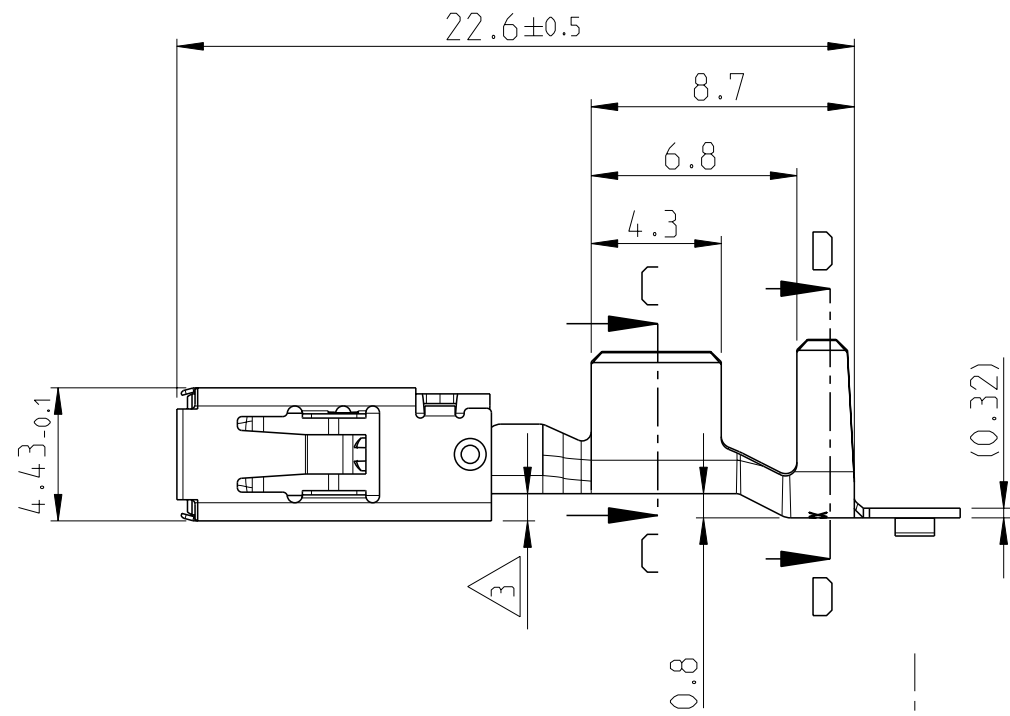
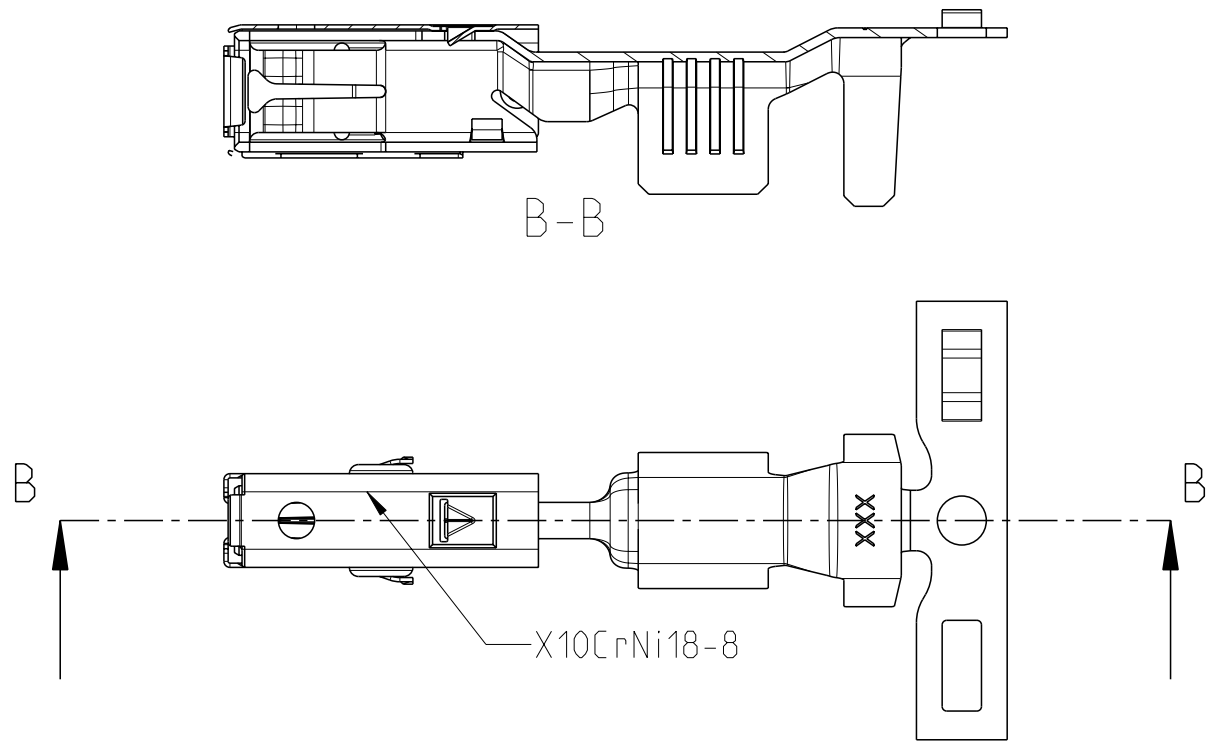


NOTES

- 1.MATING PART SEE INTERFACE DRAWING TE-NO.:114-18230-002
- 2.SURFACE: -PRE TIN PLATED 1 TO 3 μm
-SILVER PLATED 3 TO 5 μm (ONLY CONTACT AREA)

GAUGE INSPECTION

4.DETAILS OF DESIGN ARE LEFT TO MANUFACTURER



2.7-3.7	4	SILVER PLATED	CuNiSi	A	3-2437341-3
2.7-3.7	4	PRE TIN PLATED		A	3-2437341-1
INSULATION DIAMETER (mm)	WIRE SIZE RANGE (mm ²)	SURFACE	MATERIAL	REV	PN

THIS DRAWING IS A CONTROLLED DOCUMENT.		DWN J.ZHANG 11SEP2024															
DIMENSIONS: mm		CHK L.PAN 11SEP2024															
TOLERANCES UNLESS OTHERWISE SPECIFIED:		APVD W.ZHANG 11SEP2024	NAME HV280 MODIFIED MCP 2.8														
<table border="1"> <tr><td>0 PLC</td><td>±</td></tr> <tr><td>1 PLC</td><td>±0.1</td></tr> <tr><td>2 PLC</td><td>±0.01 ±0.2</td></tr> <tr><td>3 PLC</td><td>±0.001</td></tr> <tr><td>4 PLC</td><td>±0.0001</td></tr> <tr><td>ANGLES</td><td>±</td></tr> </table>		0 PLC	±	1 PLC	±0.1	2 PLC	±0.01 ±0.2	3 PLC	±0.001	4 PLC	±0.0001	ANGLES	±	PRODUCT SPEC	SIZE A3		
0 PLC	±																
1 PLC	±0.1																
2 PLC	±0.01 ±0.2																
3 PLC	±0.001																
4 PLC	±0.0001																
ANGLES	±																
MATERIAL		APPLICATION SPEC	CAGE CODE 00779	DRAWING NO C-3-2437341	RESTRICTED TO												
FINISH		WEIGHT	SCALE 4:1														
		CUSTOMER DRAWING;RESTRICTED CUSTOMER		SHEET 1 OF 1	REV A												

Printed on 22 Nov 2024 10:49 (China Standard Time) from TE461322