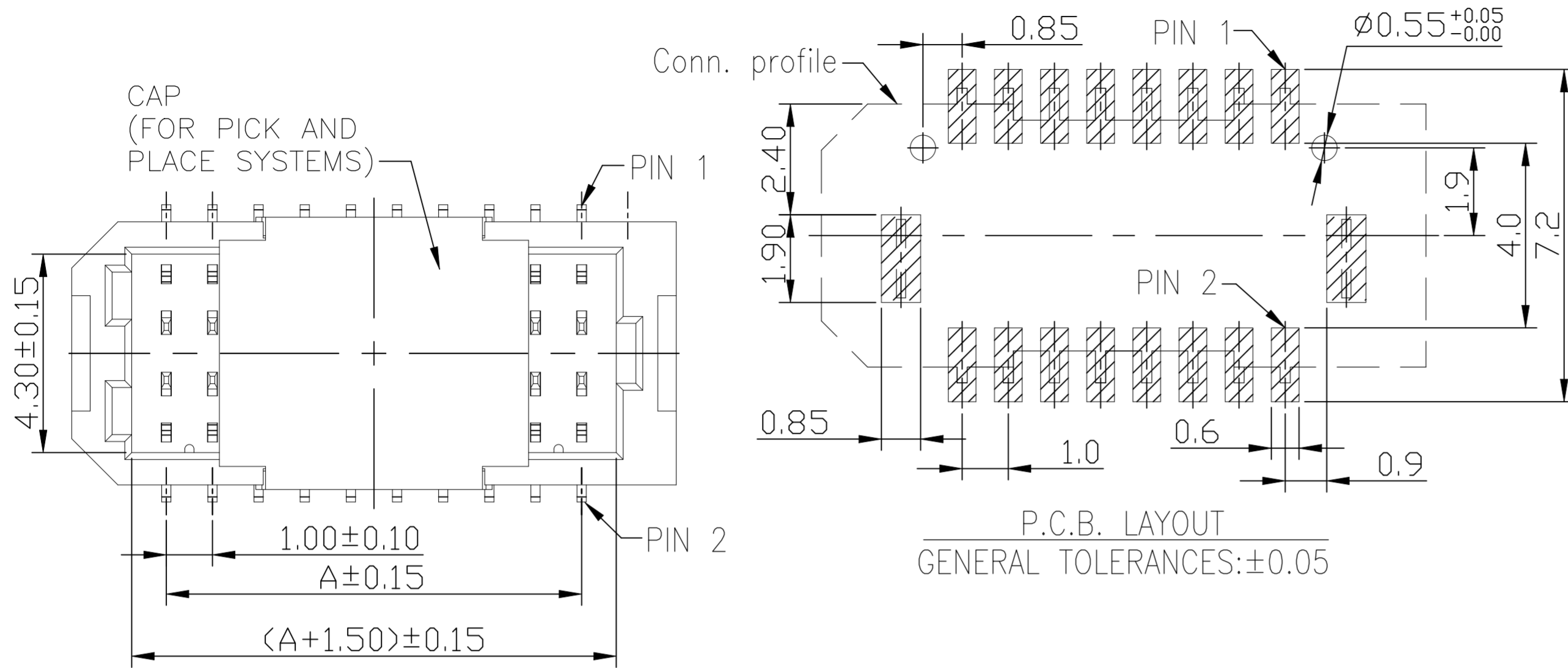


REVISIONS					
P	LTR	DESCRIPTION	DATE	OWN	APVD
	A	INITIAL RELEASE	02DEC2024	GC	JM



SPECIFICATIONS

1. Voltage Rating: 50V AC,DC.
2. Current Rating: 1A AC,DC.
3. Withstanding Voltage: 500V AC/minute.
4. Contact Resistance: 20mΩ Max.
5. Insulation Resistance: 100MΩ Min.
6. For PN-2484140-X, 2-2484140-X Temperature Range: -25°C~+85°C and PN-1-2484140-X Temperature Range: -25°C~+110°C.
7. The product using materia and processing must conform to the "W-PZ-142 HSF technical standard control requirements.

Suitable for 2484144-X series terminal

TE PN			Circuits	Dimensions	
GOLD FLASH	30u"	Matt Tin	Part No	A	B
2484140-1	1-2484140-1	-	2X6P	5.00	9.10
2484140-2	1-2484140-2	2-2484140-2	2X8P	7.00	11.10
2484140-3	1-2484140-3	-	2X10P	9.00	13.10
2484140-4	1-2484140-4	-	2X12P	11.00	15.10
2484140-5	1-2484140-5	-	2X20P	19.00	23.10
2484140-6	1-2484140-6	-	2X25P	24.00	28.10

Part No.	Material	Color	Pin Material	Solder Tabs
2484140-X	Thermo plastic,UL94V-0	Beige	Phosphor Bronze/Gold-flash	Brass/Gold-flash
1-2484140-X	High temperature plastic,UL94V-0	Beige	Phosphor Bronze/Au 30u"	Brass/Gold-flash
2-2484140-X	Thermo plastic,UL94V-0	Beige	Phosphor Bronze/Matte Tin	Brass/Matte Tin

THIS DRAWING IS A CONTROLLED DOCUMENT.

DWN Gowtham 10APR2024	TE Connectivity 1mm PITCH CONNECTOR PRODUCT SPEC 108-161430 APPLICATION SPEC 114-161064 WEIGHT 0	SIZE A2	CAGE CODE 00779	DRAWING NO C=2484140	RESTRICTED TO -
CHK GOWTHAM 6-5-2024		SCALE 1:1	SHEET 1 of 3	REV A	
APVD SATHISH P S 6-5-2024		CUSTOMER DRAWING			
MATERIAL: - FINISH: -					

4

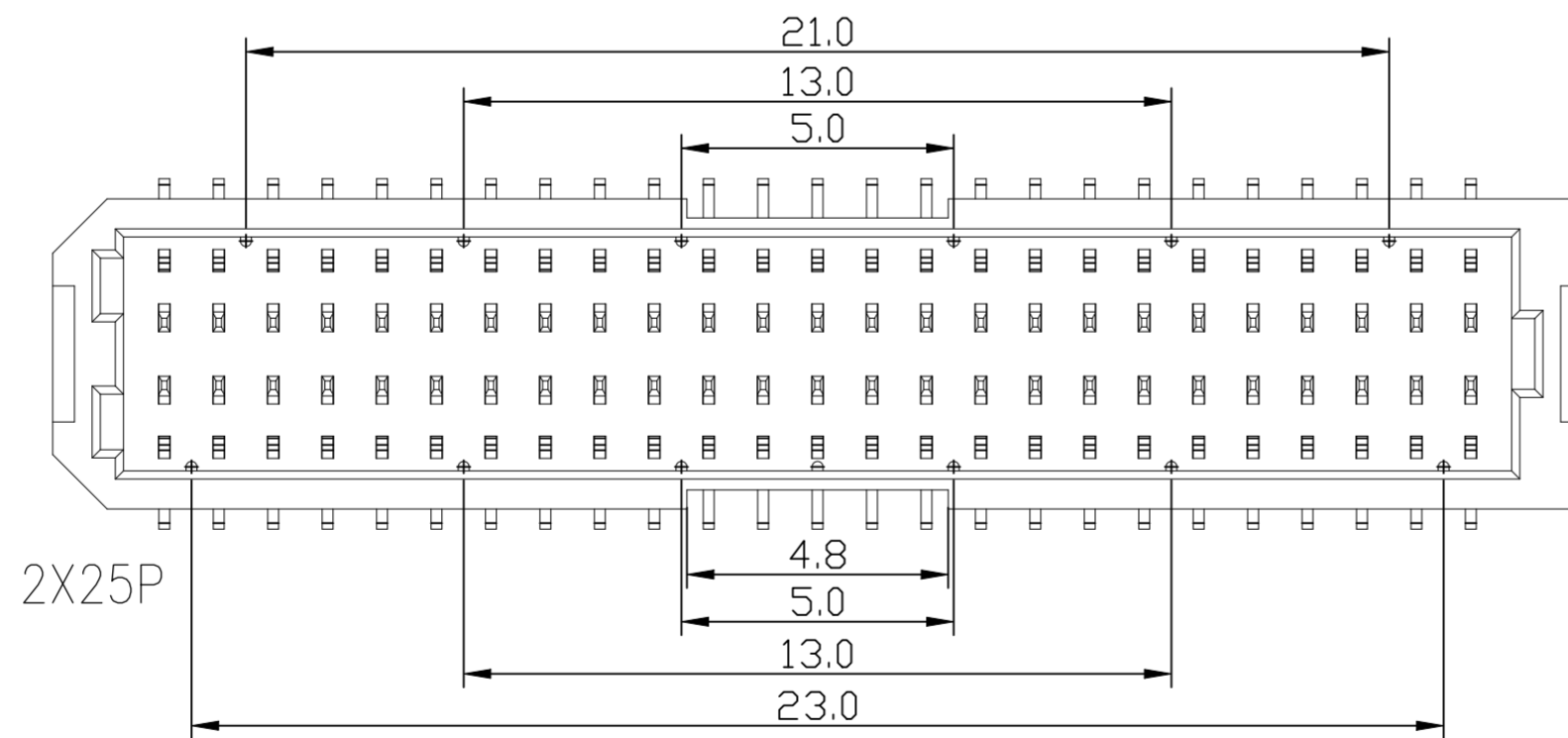
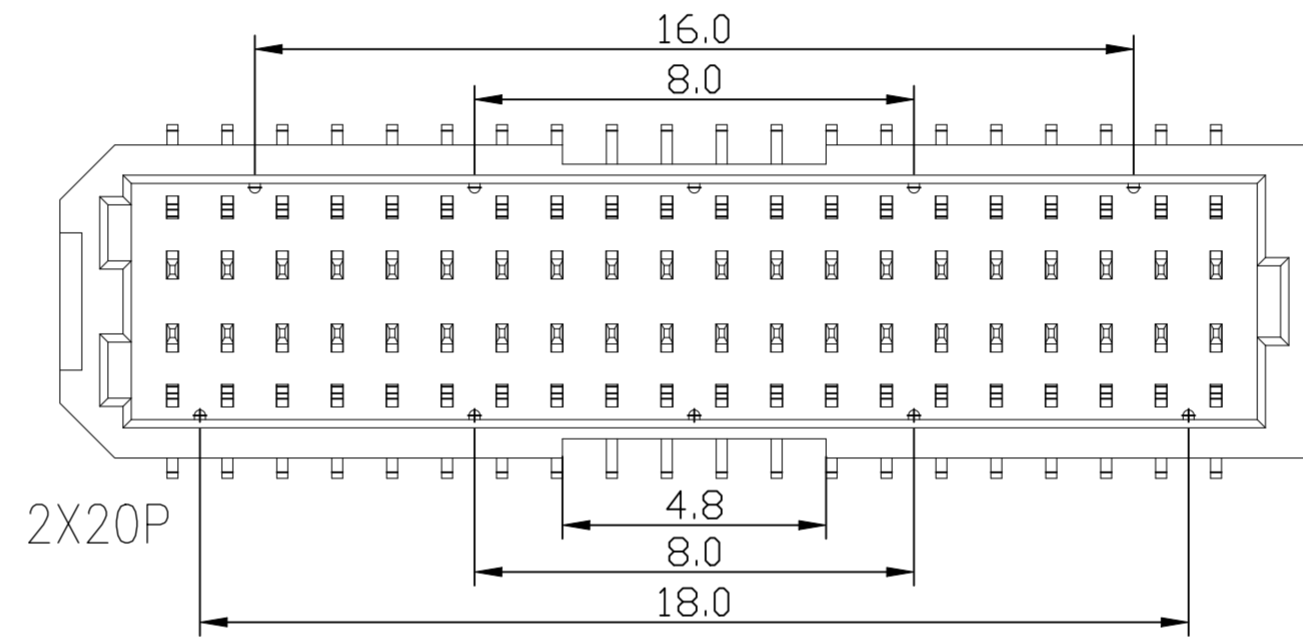
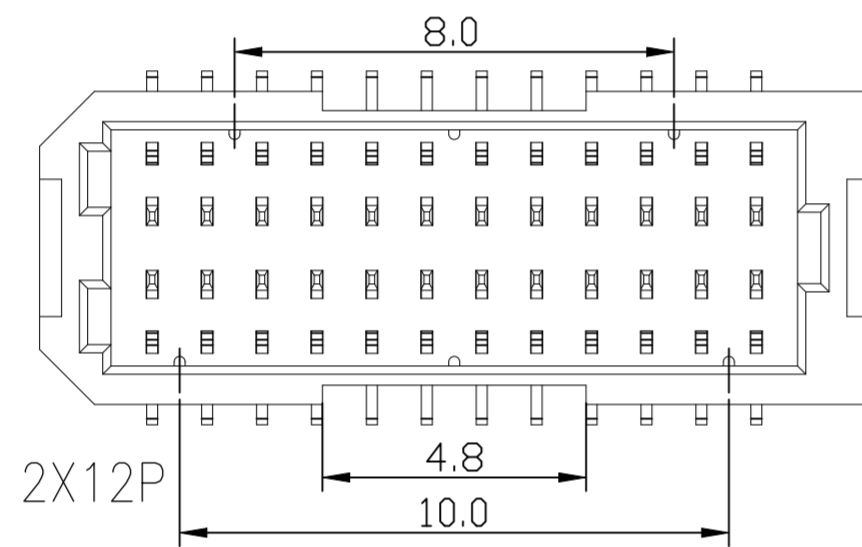
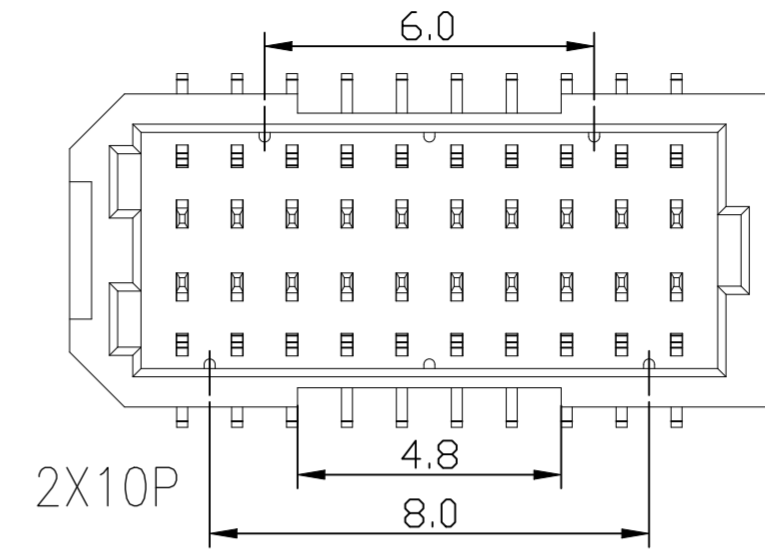
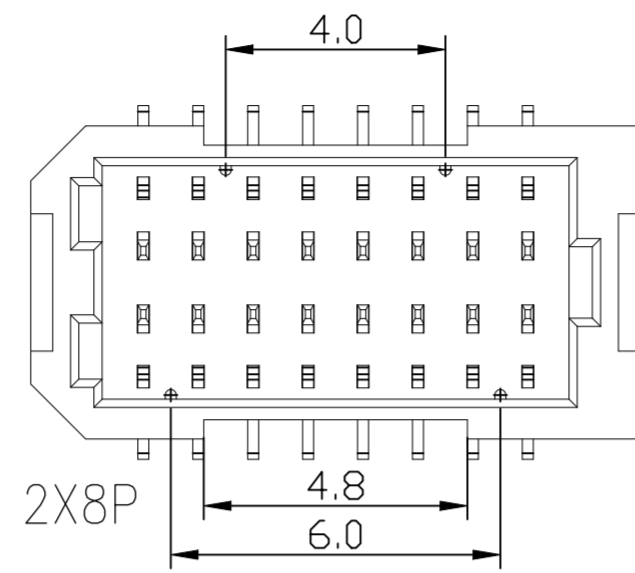
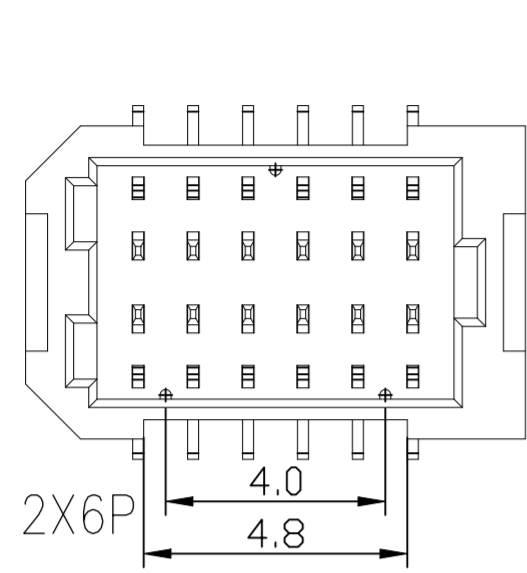
3

2

1

REVISIONS

P	LTR	DESCRIPTION	DATE	OWN	APVD
-	-	SEE SHEET 1	-	-	-



D

C

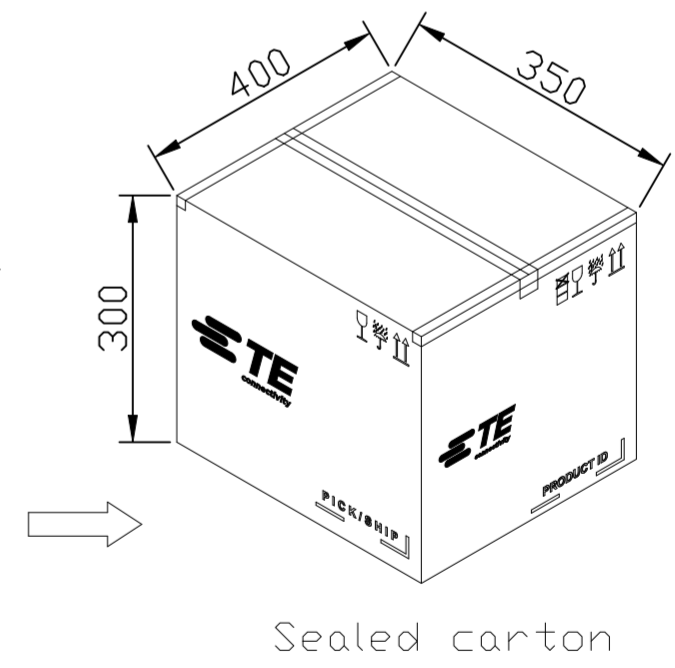
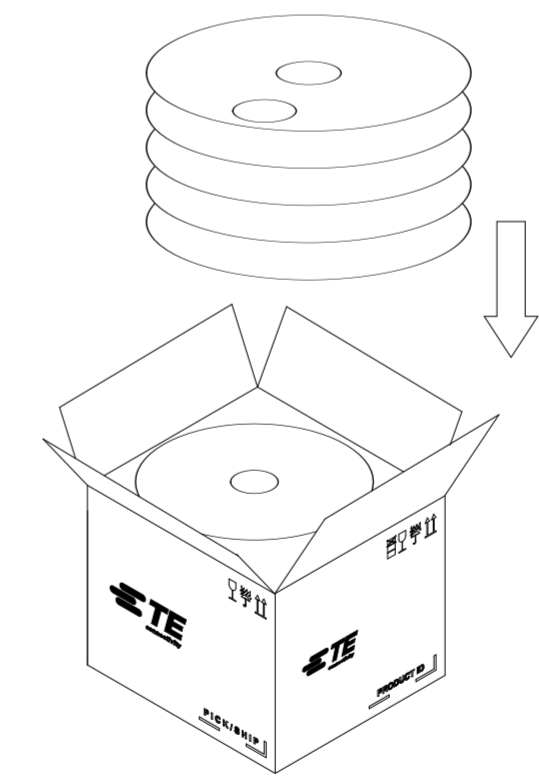
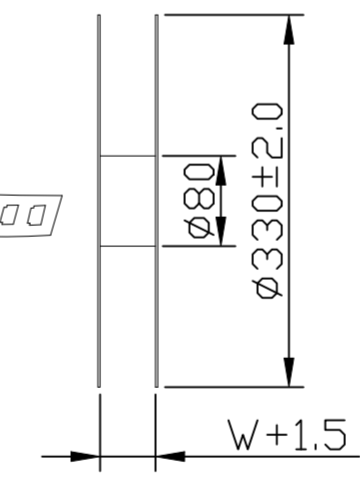
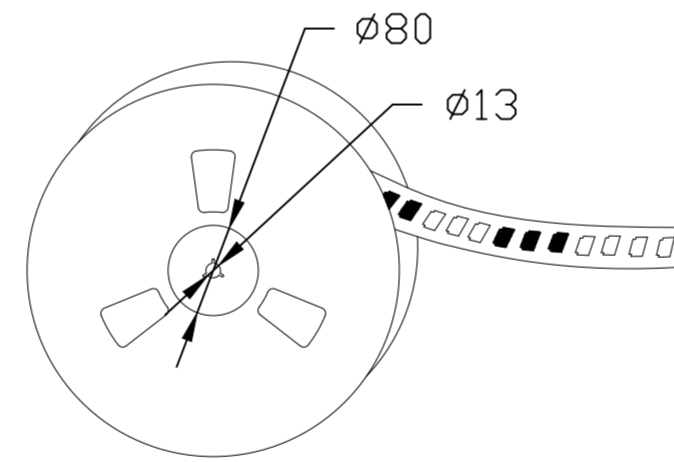
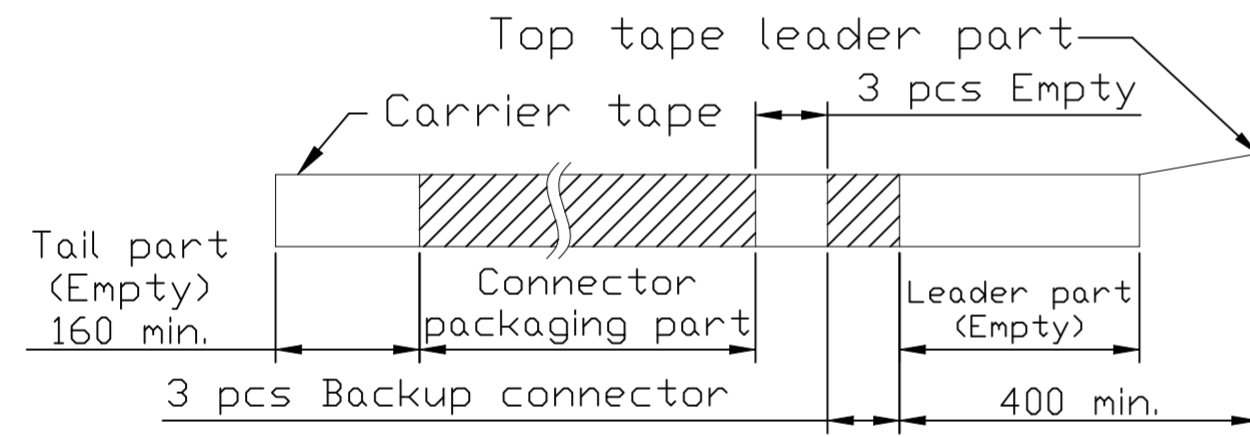
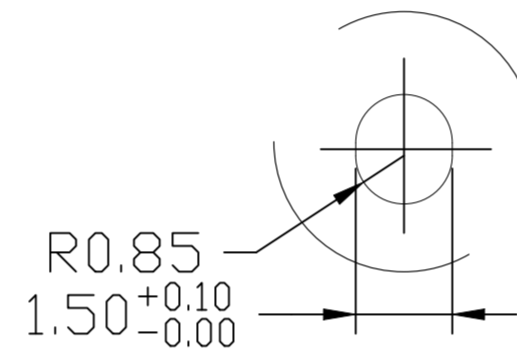
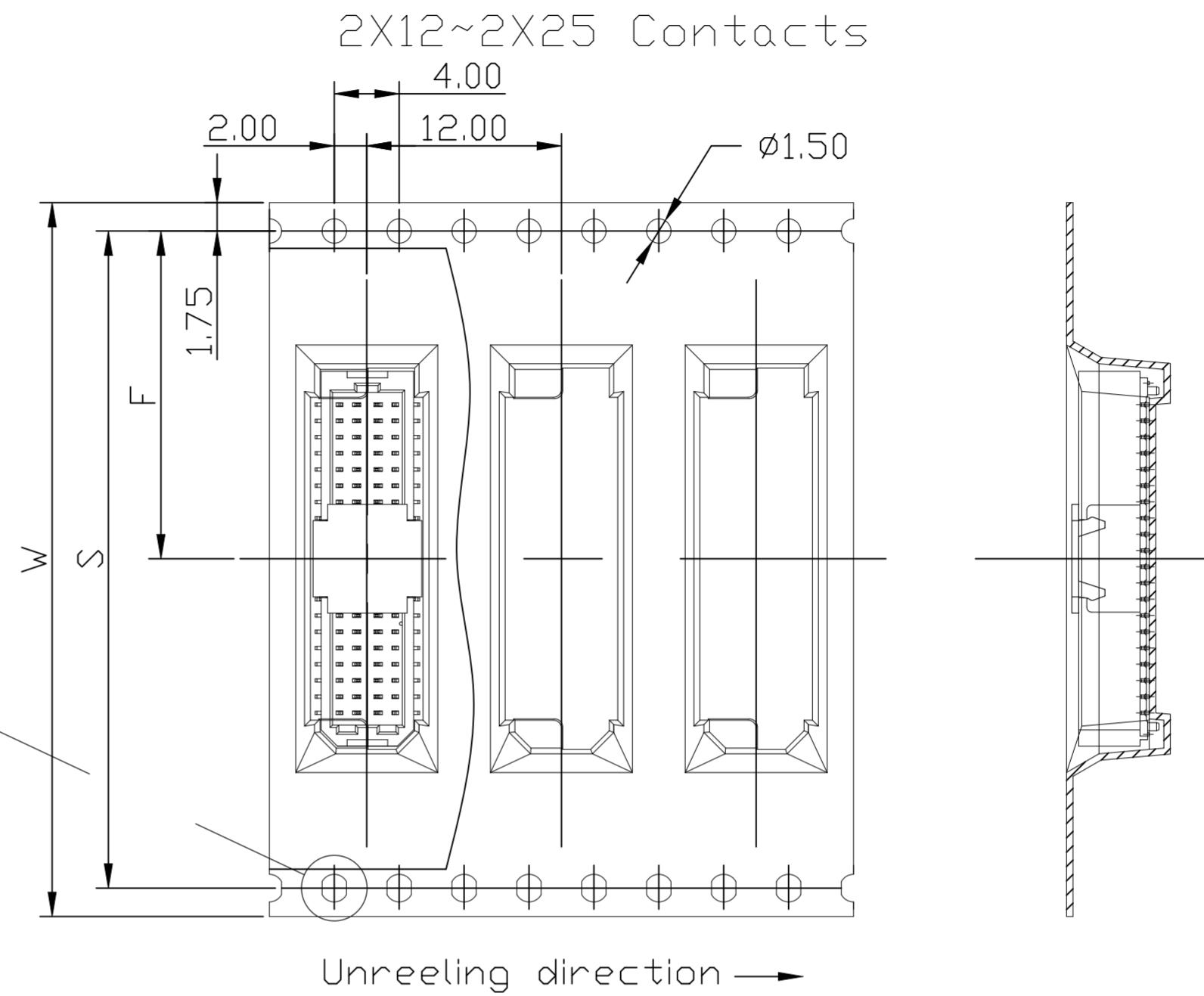
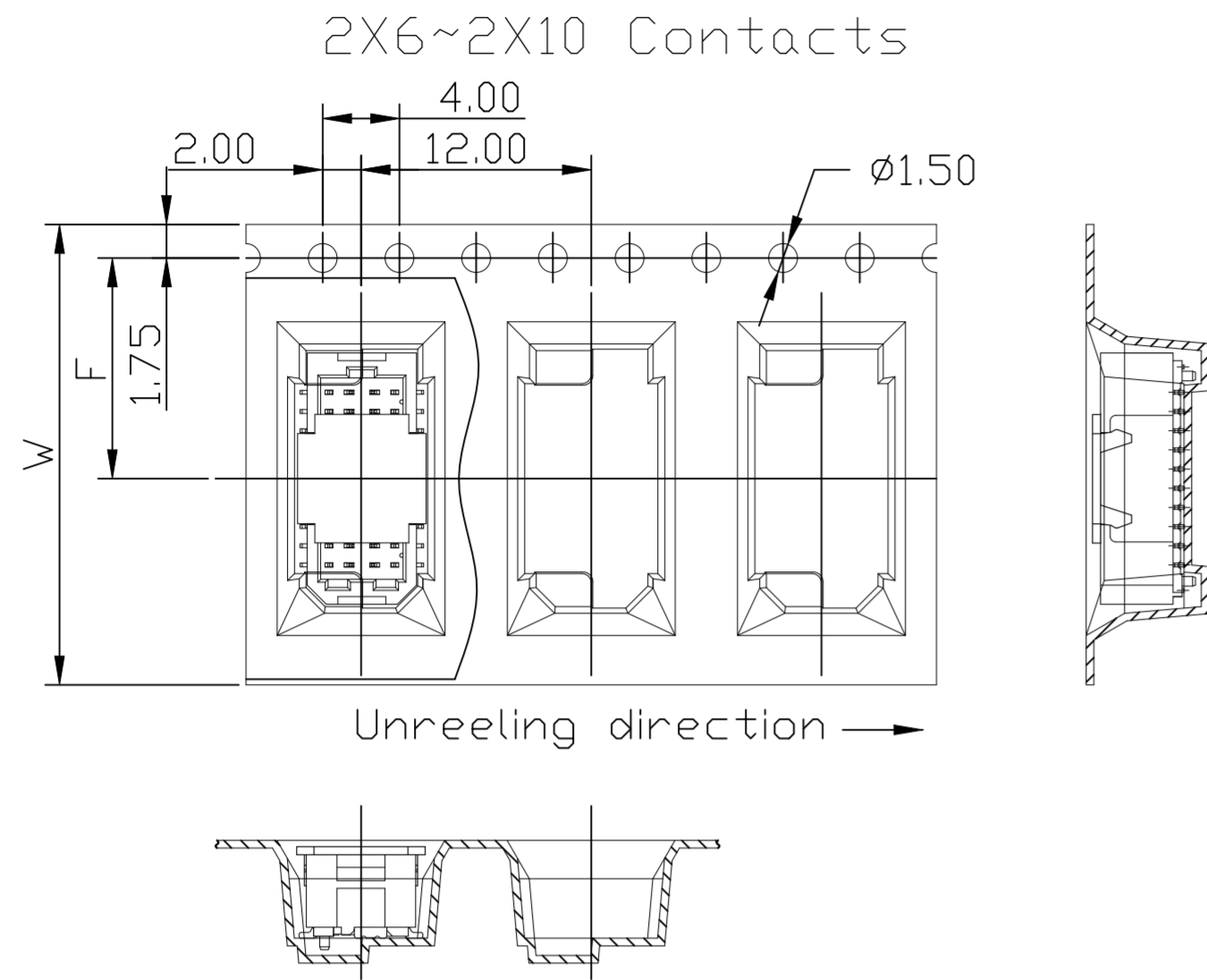
B

A

2484140

THIS DRAWING IS A CONTROLLED DOCUMENT.		DWN Gowtham 10APR2024	TE Connectivity	
		CHK GOWTHAM 6-5-2024		
		APVD SATHISH P S 6-5-2024	NAME 1mm PITCH CONNECTOR	
DIMENSIONS: mm		PRODUCT SPEC 108-161430		
TOLERANCES UNLESS OTHERWISE SPECIFIED:		APPLICATION SPEC 114-161064		
0 PLC ± -		SIZE A2		
1 PLC ± 0.25		CAGE CODE 00779		
2 PLC ± 0.15		DRAWING NO C=2484140		
3 PLC ± 0.08		RESTRICTED TO -		
4 PLC ± - ± 2'		WEIGHT 0		
MATERIAL -		SCALE 1:1		
FINISH -		SHEET 2 OF 3		
		REV A		
		CUSTOMER DRAWING		

REVISIONS					
P	LTR	DESCRIPTION	DATE	OWN	APVD
-	-	SEE SHEET 1	-	-	-



Number of Contacts	W±0.3	F±0.1	S±0.1	pcs/Reel	pcs/Reel
2X6P~2X10P	24	11.5		1000pcs	10000
2X12P	32	14.2	28.4	1000pcs	8000
2X20P~2X25P	44	20.2	40.4	1000pcs	6000

THIS DRAWING IS A CONTROLLED DOCUMENT.		DWN Gowtham 10APR2024	STE TE Connectivity	
DIMENSIONS: mm		CHK GOWTHAM 6-5-2024		
TOLERANCES UNLESS OTHERWISE SPECIFIED:		APVD SATHISH P S 6-5-2024	NAME 1mm PITCH CONNECTOR	
0 PLC ± - 1 PLC ± 0.25 2 PLC ± 0.15 3 PLC ± 0.08 4 PLC ± - 2'		PRODUCT SPEC 108-161430	RESTRICTED TO	
MATERIAL		APPLICATION SPEC 114-161064	SIZE A2	CAGE CODE 00779
FINISH		WEIGHT 0	DRAWING NO C=2484140	
		CUSTOMER DRAWING		SCALE 1:1
		SHEET 3 of 3		REV A