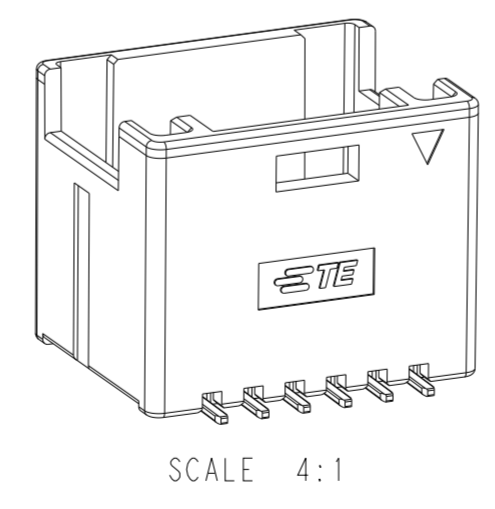
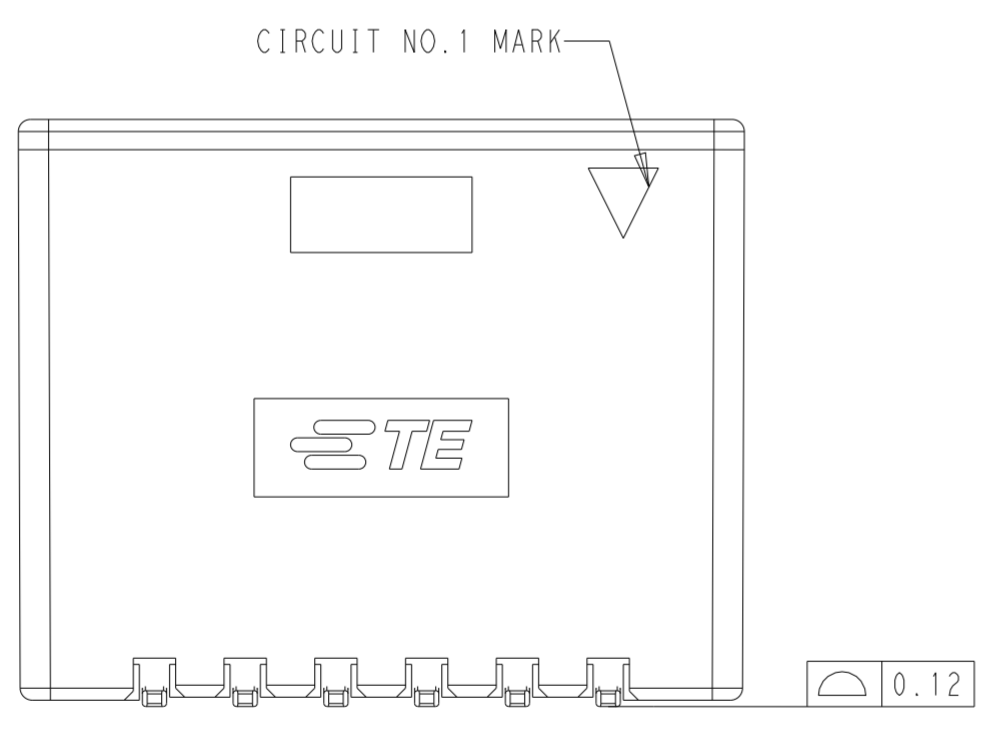
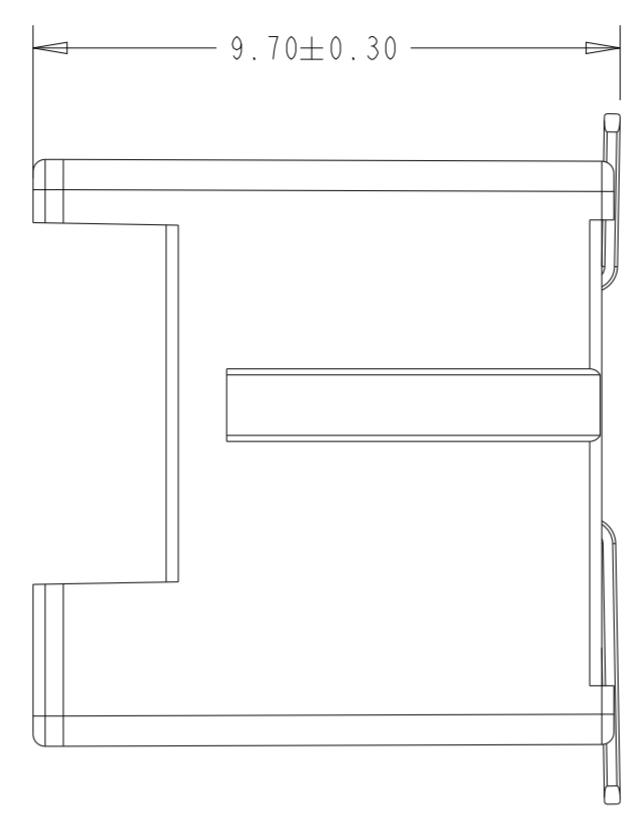
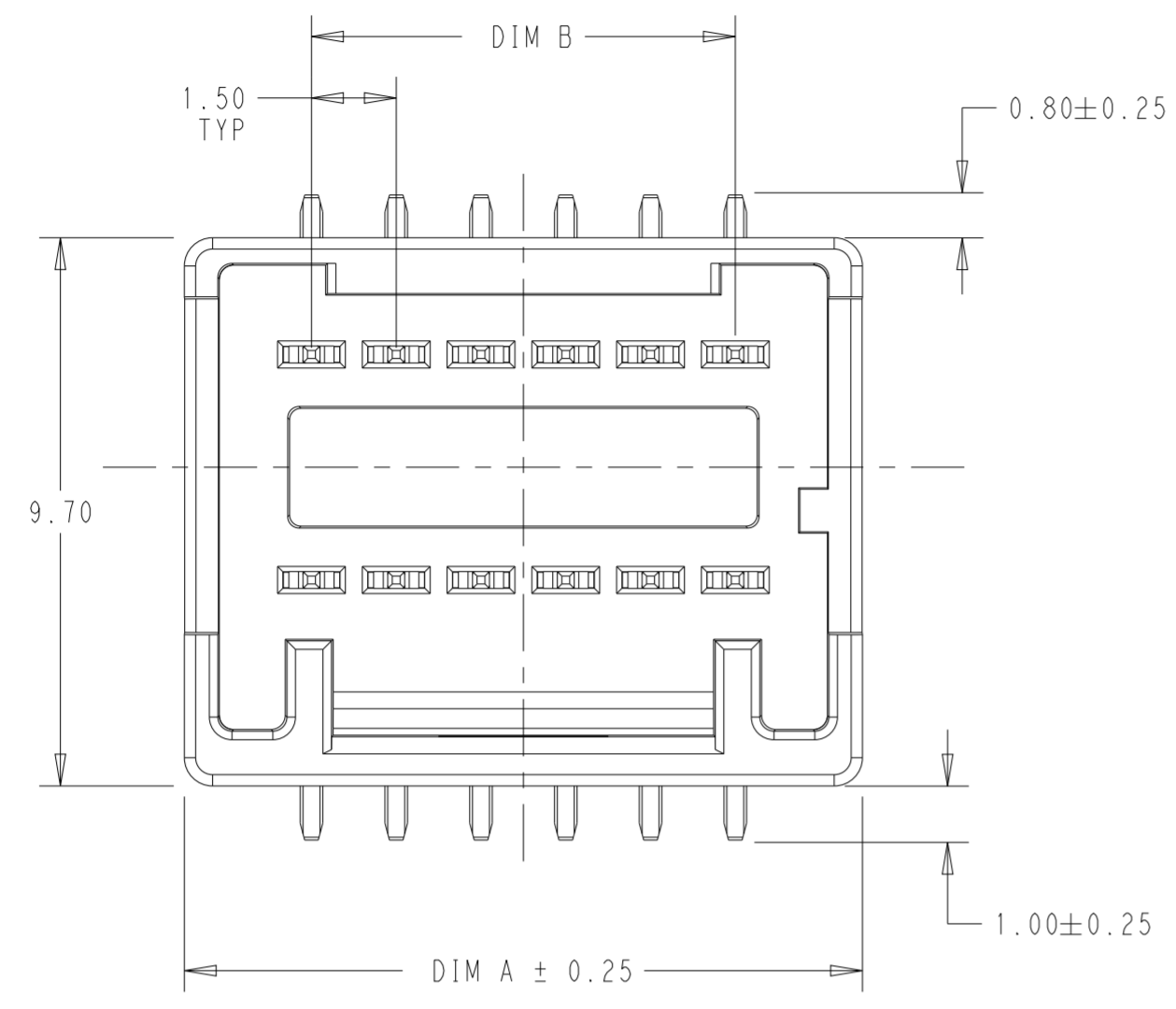
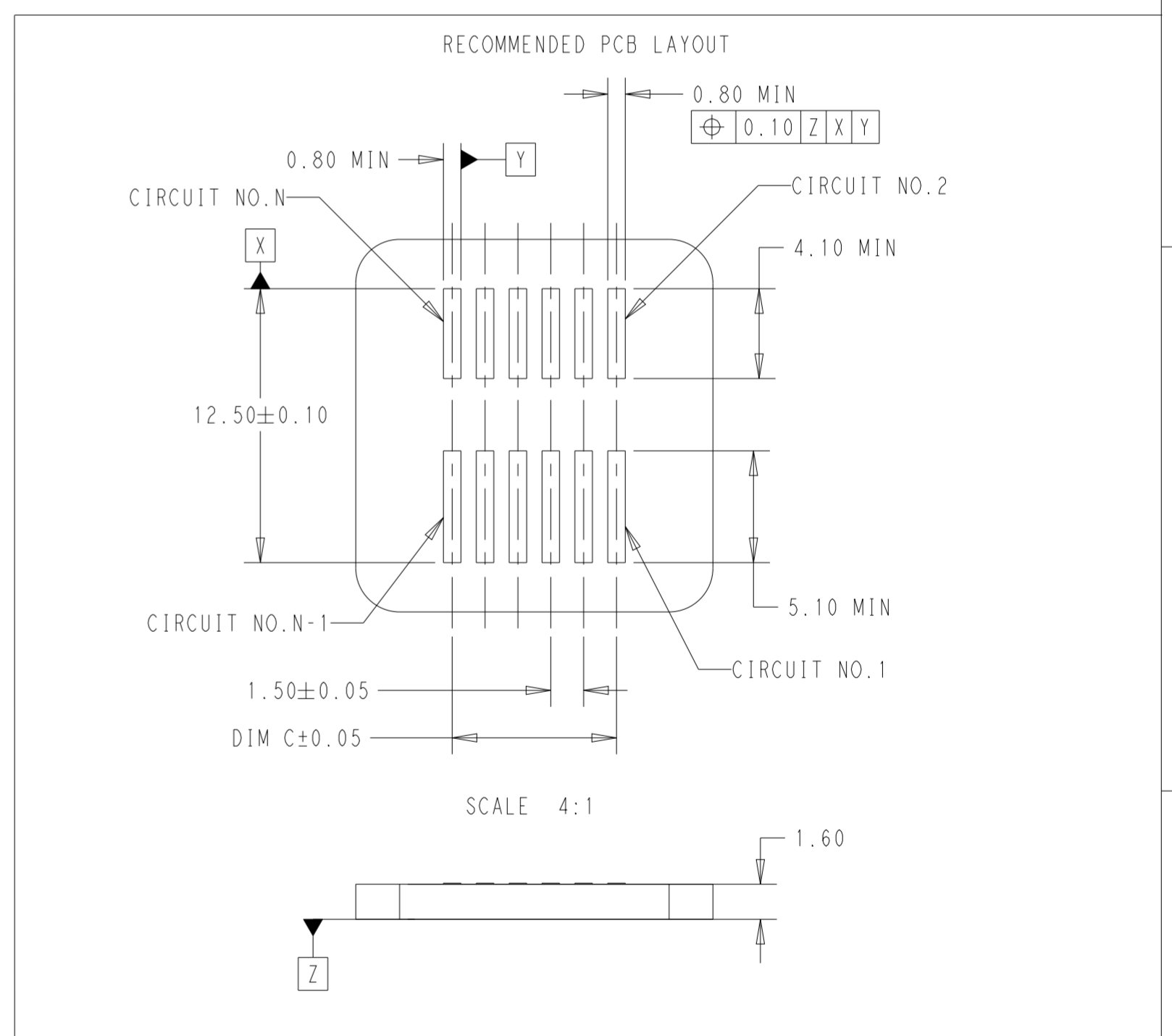


REVISIONS					
P	LTR	DESCRIPTION	DATE	DWN	APVD
A		RELEASED PER ECN-24-261759	19APR2024	N.H	L.C
A1		REVISED PER ECR-24-214924	31JUL2024	N.H	L.C



- 1 MATERIAL
HOUSING: HIGH TEMPERATURE NYLON, UL94 V-0
COLOR: SEE TABLE ON SHEET 2
POST CONTACT: BRASS, THICKNESS 0.30mm
- 2 PLATING
POST CONTACT: 1.0um MIN TIN
- 3 MATING PARTS: SEE TABLE ON SHEET 2





THIS DRAWING IS A CONTROLLED DOCUMENT.		DWN NANCY HONG 11SEP2022	STE TE Connectivity		
		CHK LEO CHEN 11SEP2022			
		APVD DANIEL ZHANG 11SEP2022	NAME SGI 1.5 DUAL ROW HEADER ASSY		
DIMENSIONS: mm		PRODUCT SPEC 108-160851	SIZE A2	CAGE CODE 00779	DRAWING NO C-2427710
TOLERANCES UNLESS OTHERWISE SPECIFIED: 0 PLC ± 1 PLC ±0.25 2 PLC ±0.15 3 PLC ± 4 PLC ± ANGLES ± FINISH		APPLICATION SPEC 114-106497	RESTRICTED TO		
MATERIAL 1		WEIGHT -	SCALE 8:1	SHEET 1 OF 5	REV A1
		CUSTOMER DRAWING			

REVISIONS

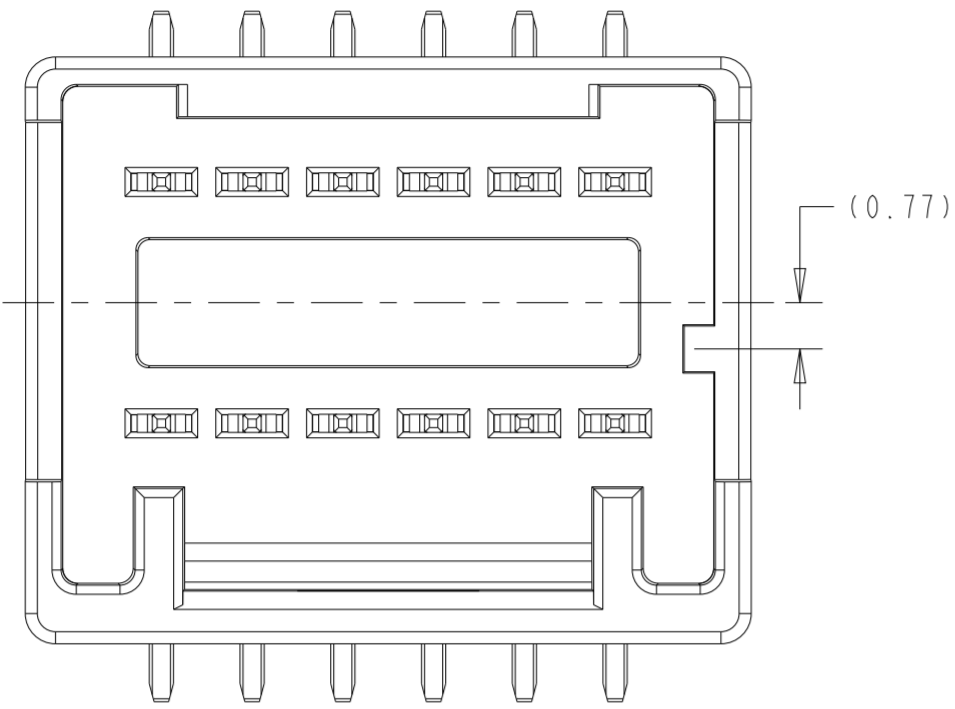
P	LTR	DESCRIPTION	DATE	DWN	APVD
		SEE SHEET 1			

5-2426397-9	12.00	12.00	16.50	F	GRAY	18	5-2427710-9
5-2426397-8	10.50	10.50	15.00	F	GRAY	16	5-2427710-8
5-2426397-7	9.00	9.00	13.50	F	GRAY	14	5-2427710-7
5-2426397-6	7.50	7.50	12.00	F	GRAY	12	5-2427710-6
5-2426397-5	6.00	6.00	10.50	F	GRAY	10	5-2427710-5
5-2426397-4	4.50	4.50	9.00	F	GRAY	8	5-2427710-4
5-2426397-3	3.00	3.00	7.50	F	GRAY	6	5-2427710-3
5-2426397-2	1.50	1.50	6.00	F	GRAY	4	5-2427710-2
4-2426397-9	12.00	12.00	16.50	E	BLACK	18	4-2427710-9
4-2426397-8	10.50	10.50	15.00	E	BLACK	16	4-2427710-8
4-2426397-7	9.00	9.00	13.50	E	BLACK	14	4-2427710-7
4-2426397-6	7.50	7.50	12.00	E	BLACK	12	4-2427710-6
4-2426397-5	6.00	6.00	10.50	E	BLACK	10	4-2427710-5
4-2426397-4	4.50	4.50	9.00	E	BLACK	8	4-2427710-4
4-2426397-3	3.00	3.00	7.50	E	BLACK	6	4-2427710-3
4-2426397-2	1.50	1.50	6.00	E	BLACK	4	4-2427710-2
3-2426397-9	12.00	12.00	16.50	D	BROWN	18	3-2427710-9
3-2426397-8	10.50	10.50	15.00	D	BROWN	16	3-2427710-8
3-2426397-7	9.00	9.00	13.50	D	BROWN	14	3-2427710-7
3-2426397-6	7.50	7.50	12.00	D	BROWN	12	3-2427710-6
3-2426397-5	6.00	6.00	10.50	D	BROWN	10	3-2427710-5
3-2426397-4	4.50	4.50	9.00	D	BROWN	8	3-2427710-4
3-2426397-3	3.00	3.00	7.50	D	BROWN	6	3-2427710-3
3-2426397-2	1.50	1.50	6.00	D	BROWN	4	3-2427710-2
2-2426397-9	12.00	12.00	16.50	C	VIOLET	18	2-2427710-9
2-2426397-8	10.50	10.50	15.00	C	VIOLET	16	2-2427710-8
2-2426397-7	9.00	9.00	13.50	C	VIOLET	14	2-2427710-7
2-2426397-6	7.50	7.50	12.00	C	VIOLET	12	2-2427710-6
2-2426397-5	6.00	6.00	10.50	C	VIOLET	10	2-2427710-5
2-2426397-4	4.50	4.50	9.00	C	VIOLET	8	2-2427710-4
2-2426397-3	3.00	3.00	7.50	C	VIOLET	6	2-2427710-3
2-2426397-2	1.50	1.50	6.00	C	VIOLET	4	2-2427710-2
1-2426397-9	12.00	12.00	16.50	B	RED	18	1-2427710-9
1-2426397-8	10.50	10.50	15.00	B	RED	16	1-2427710-8
1-2426397-7	9.00	9.00	13.50	B	RED	14	1-2427710-7
1-2426397-6	7.50	7.50	12.00	B	RED	12	1-2427710-6
1-2426397-5	6.00	6.00	10.50	B	RED	10	1-2427710-5
1-2426397-4	4.50	4.50	9.00	B	RED	8	1-2427710-4
1-2426397-3	3.00	3.00	7.50	B	RED	6	1-2427710-3
1-2426397-2	1.50	1.50	6.00	B	RED	4	1-2427710-2
2426397-9	12.00	12.00	16.50	A	NATURAL	18	2427710-9
2426397-8	10.50	10.50	15.00	A	NATURAL	16	2427710-8
2426397-7	9.00	9.00	13.50	A	NATURAL	14	2427710-7
2426397-6	7.50	7.50	12.00	A	NATURAL	12	2427710-6
2426397-5	6.00	6.00	10.50	A	NATURAL	10	2427710-5
2426397-4	4.50	4.50	9.00	A	NATURAL	8	2427710-4
2426397-3	3.00	3.00	7.50	A	NATURAL	6	2427710-3
2426397-2	1.50	1.50	6.00	A	NATURAL	4	2427710-2
MATING PLUG HOUSING	DIM C	DIM B	DIM A	KEYING	COLOR	POS	ASSEMBLY PART NUMBER

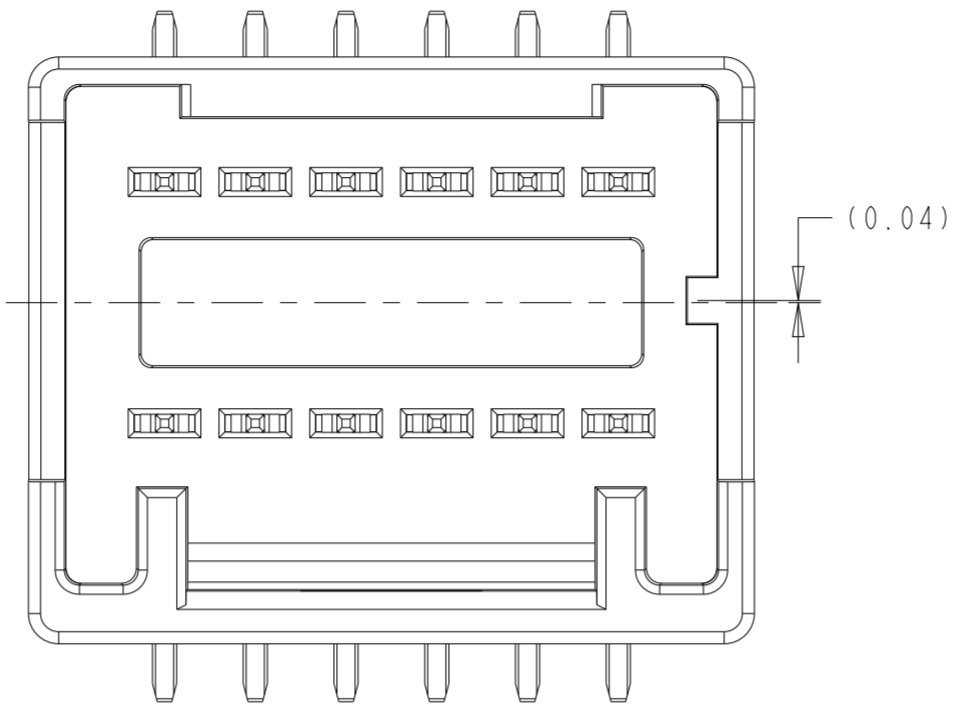
THIS DRAWING IS A CONTROLLED DOCUMENT.		DWN NANCY HONG 11SEP2022	 TE Connectivity	
		CHK LEO CHEN 11SEP2022		
DIMENSIONS: mm		APVD DANIEL ZHANG 11SEP2022	NAME SGI 1.5 DUAL ROW HEADER ASSY	
TOLERANCES UNLESS OTHERWISE SPECIFIED: 0 PLC ± 1 PLC ±0.25 2 PLC ±0.15 3 PLC ± 4 PLC ± ANGLES ± FINISH		PRODUCT SPEC 108-160851	APPLICATION SPEC 114-106497	
MATERIAL 		WEIGHT -	SIZE A2	CAGE CODE 00779
		DRAWING NO C-2427710	RESTRICTED TO -	SCALE 8:1
		CUSTOMER DRAWING	SHEET 2	OF 5
			REV A1	

P	LTR	DESCRIPTION	DATE	DWN	APVD
		SEE SHEET 1			

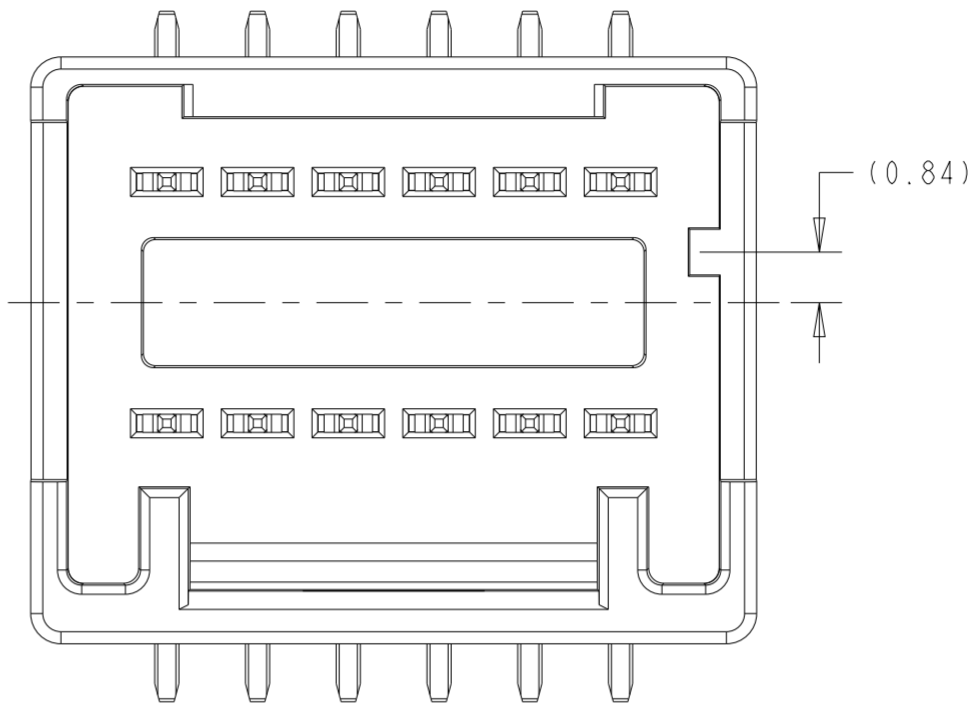
KEYING ILLUSTRATION



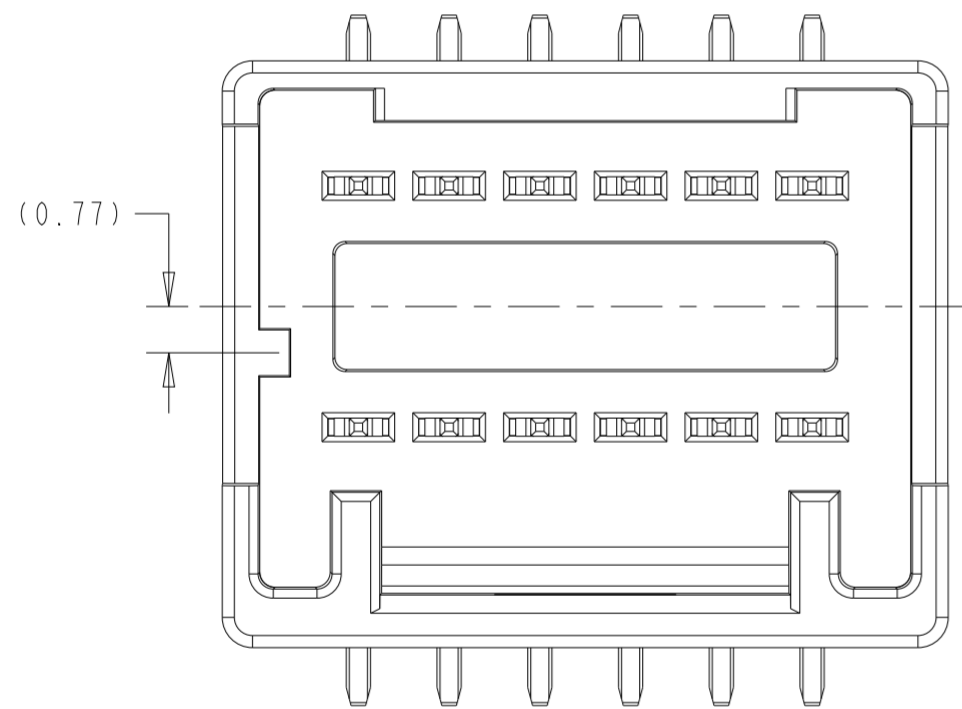
KEY A



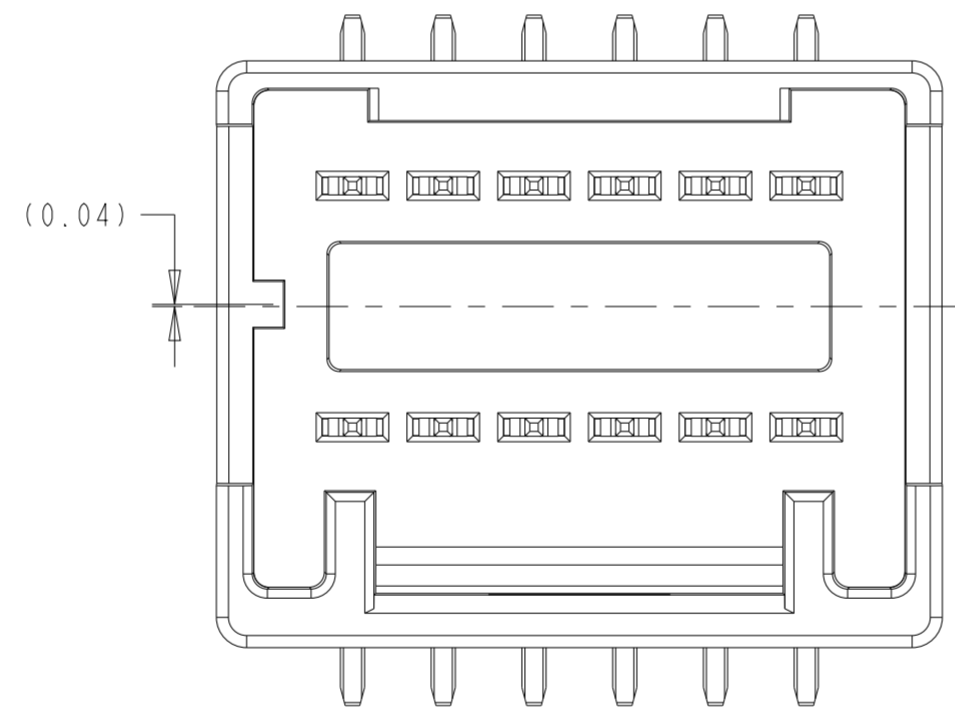
KEY B



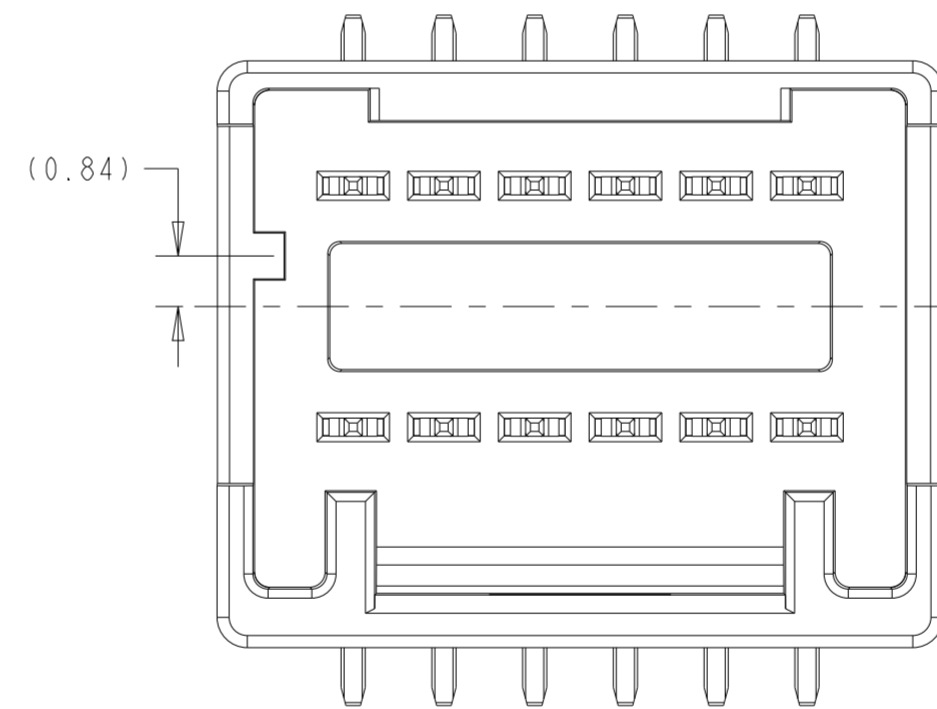
KEY C



KEY D



KEY E



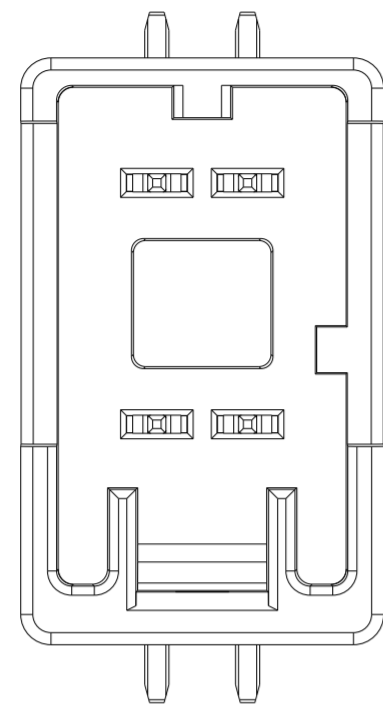
KEY F

THIS DRAWING IS A CONTROLLED DOCUMENT.		DWN NANCY HONG 11SEP2022	TE Connectivity	
DIMENSIONS: mm		CHK LEO CHEN 11SEP2022		
TOLERANCES UNLESS OTHERWISE SPECIFIED:		APVD DANIEL ZHANG 11SEP2022	NAME SGI 1.5 DUAL ROW HEADER ASSY	
<ul style="list-style-type: none"> 0 PLC ± 1 PLC ±0.25 2 PLC ±0.15 3 PLC ± 4 PLC ± ANGLES ± FINISH ± 		PRODUCT SPEC 108-160851	SIZE A2	
MATERIAL		APPLICATION SPEC 114-106497	CAGE CODE 00779	DRAWING NO C-2427710
		WEIGHT -	RESTRICTED TO -	
		CUSTOMER DRAWING	SCALE 8:1	SHEET 3 OF 5
			REV A1	

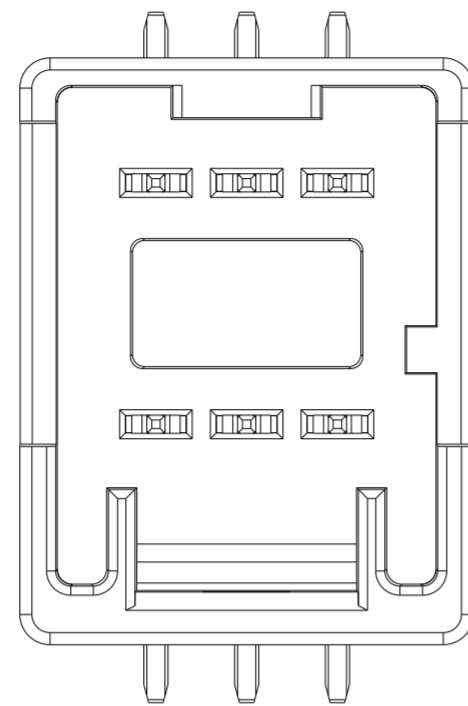
REVISIONS

P	LTR	DESCRIPTION	DATE	DWN	APVD
		SEE SHEET 1			

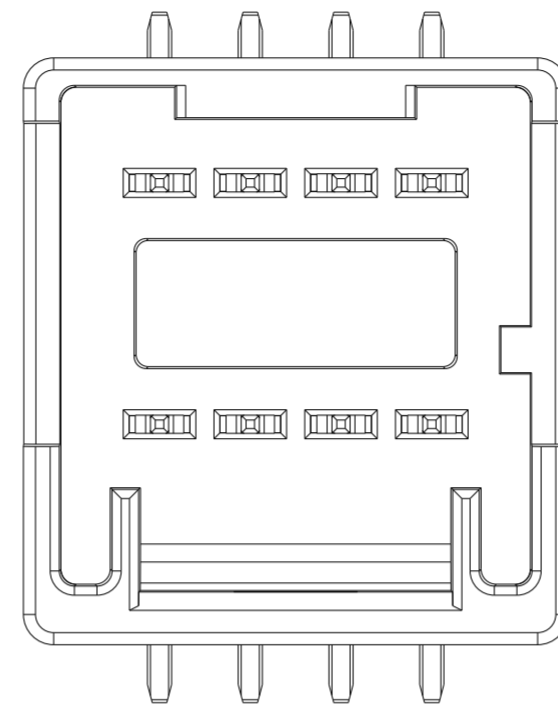
KEYING A FOR ALL POSITIONS



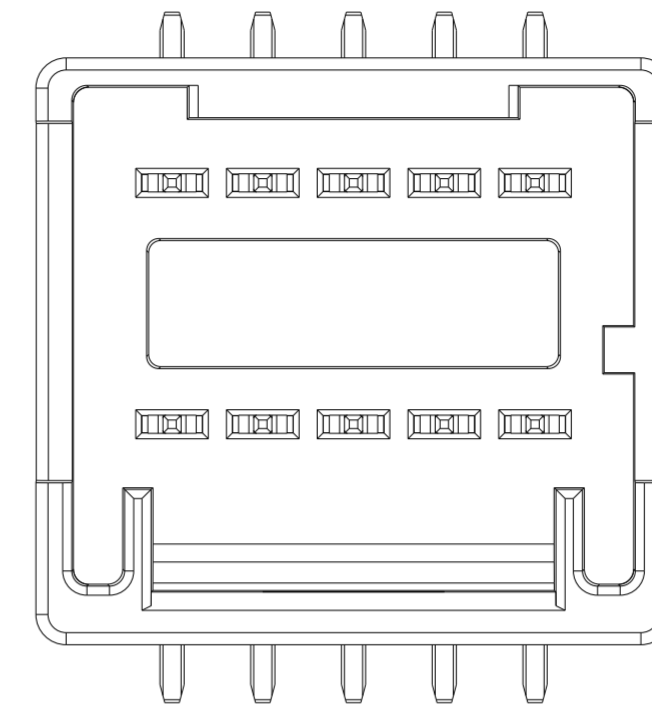
4 POSITION



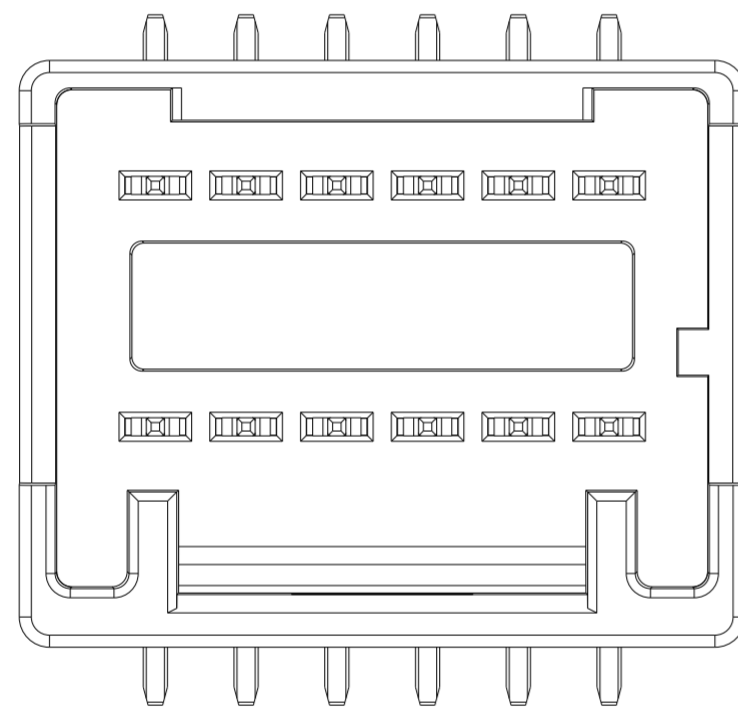
6 POSITION



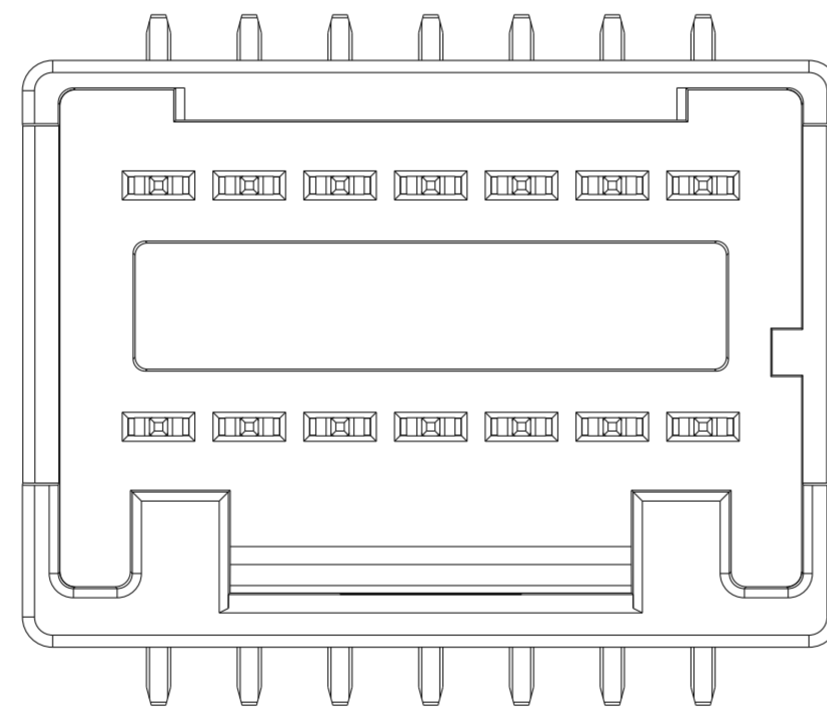
8 POSITION



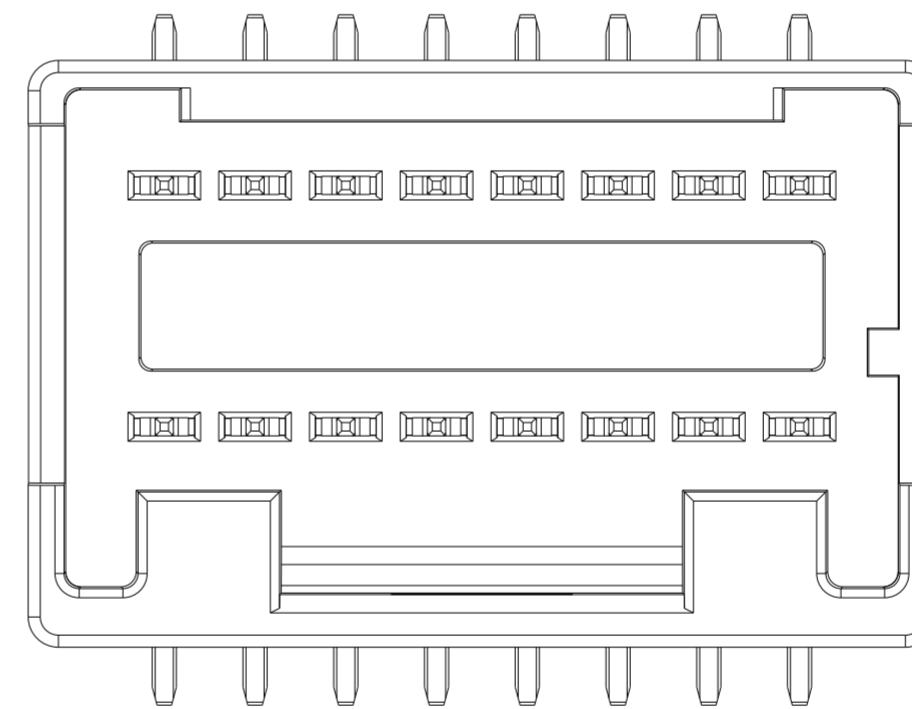
10 POSITION



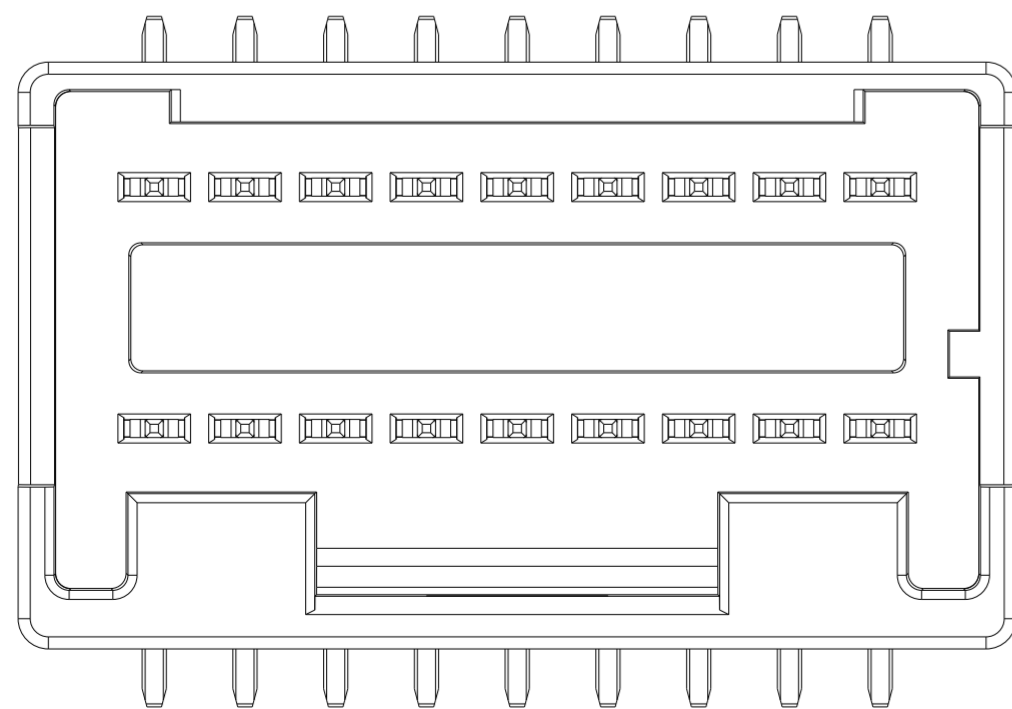
12 POSITION




14 POSITION



16 POSITION

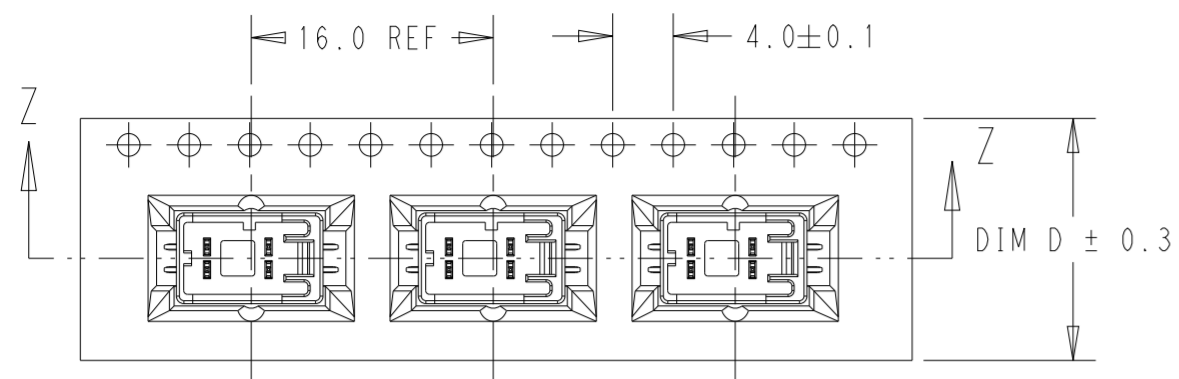


18 POSITION

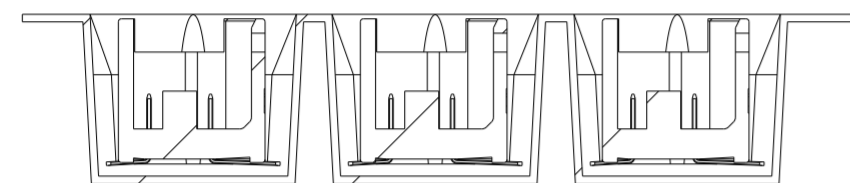
THIS DRAWING IS A CONTROLLED DOCUMENT.		DWN NANCY HONG 11SEP2022	 TE Connectivity	
DIMENSIONS: mm		CHK LEO CHEN 11SEP2022		
TOLERANCES UNLESS OTHERWISE SPECIFIED:		APVD DANIEL ZHANG 11SEP2022	NAME SGI 1.5 DUAL ROW HEADER ASSY	
0 PLC ± 1 PLC ±0.25 2 PLC ±0.15 3 PLC ± 4 PLC ± ANGLES ± FINISH -		PRODUCT SPEC 108-160851	SIZE A2	CAGE CODE 00779
MATERIAL 1		APPLICATION SPEC 114-106497	DRAWING NO C-2427710	RESTRICTED TO -
		WEIGHT -	SCALE 8:1	SHEET 4 OF 5
		CUSTOMER DRAWING	REV A1	

P	LTR	DESCRIPTION	DATE	DWN	APVD
		SEE SHEET 1			

USER DIRECTION OF UNREELING →



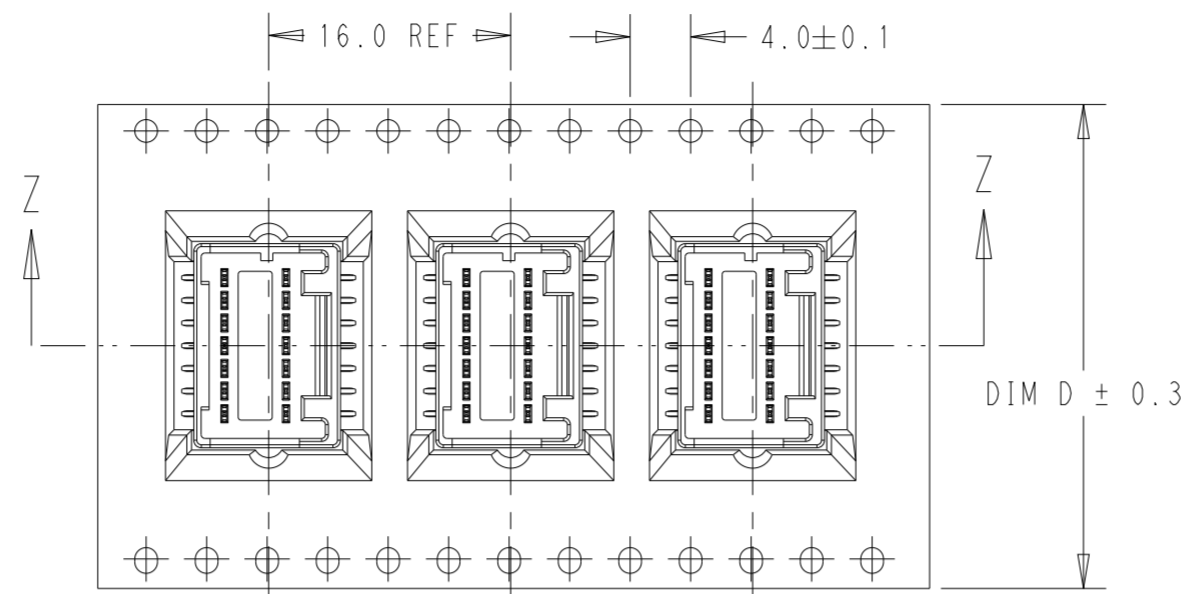
SCALE 2:1



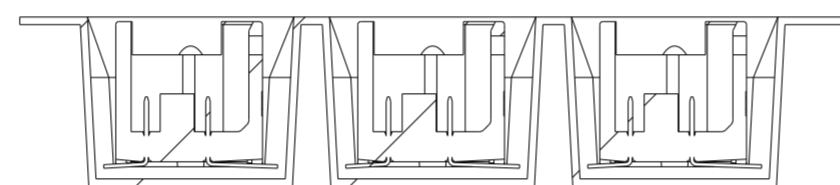
SECTION Z-Z

FOR 4-12 POSITIONS

USER DIRECTION OF UNREELING →



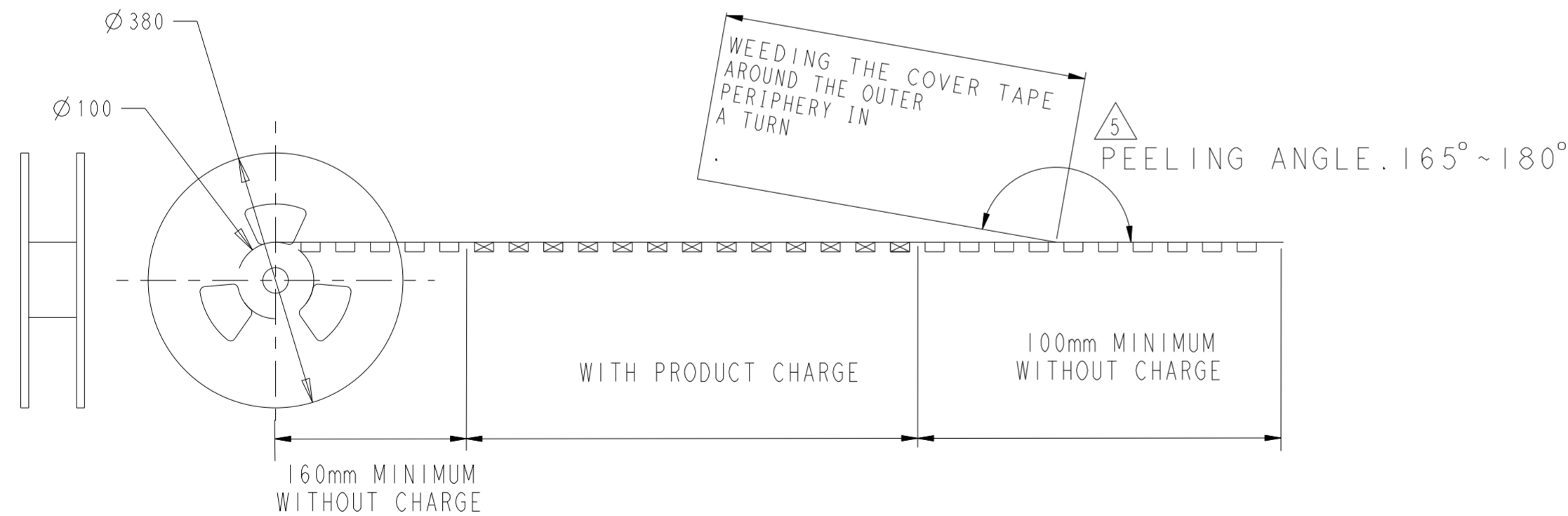
SCALE 2:1



SECTION Z-Z

FOR 14-18 POSITIONS

14-18	32.0	510
6-12	24.0	510
4	16.0	510
POSITION	DIM D	QTY/REEL



NOTES FOR PACKAGE:

4. UNLESS OTHERWISE SPECIFIED TOLERANCE PER EIA-481.

5. EMBOSS TAPE PEELING STRENGTH : 0.1N ~ 1.3N
 PEELING CONDITION
 PEELING ANGLE : 165~180°
 PEELING SPEED : 300mm/MINUTE

THIS DRAWING IS A CONTROLLED DOCUMENT.		DWN NANCY HONG 11SEP2022	TE Connectivity	
DIMENSIONS: mm		CHK LEO CHEN 11SEP2022		
TOLERANCES UNLESS OTHERWISE SPECIFIED:		APVD DANIEL ZHANG 11SEP2022	NAME SGI 1.5 DUAL ROW HEADER ASSY	
0 PLC ± 1 PLC ±0.25 2 PLC ±0.15 3 PLC ± 4 PLC ±		PRODUCT SPEC 108-160851	-	
ANGLES ±		APPLICATION SPEC 114-106497	SIZE A2	
FINISH		WEIGHT -	CAGE CODE 00779	DRAWING NO C-2427710
MATERIAL 1		CUSTOMER DRAWING	RESTRICTED TO -	SCALE 8:1
			SHEET 5 OF 5	REV A1