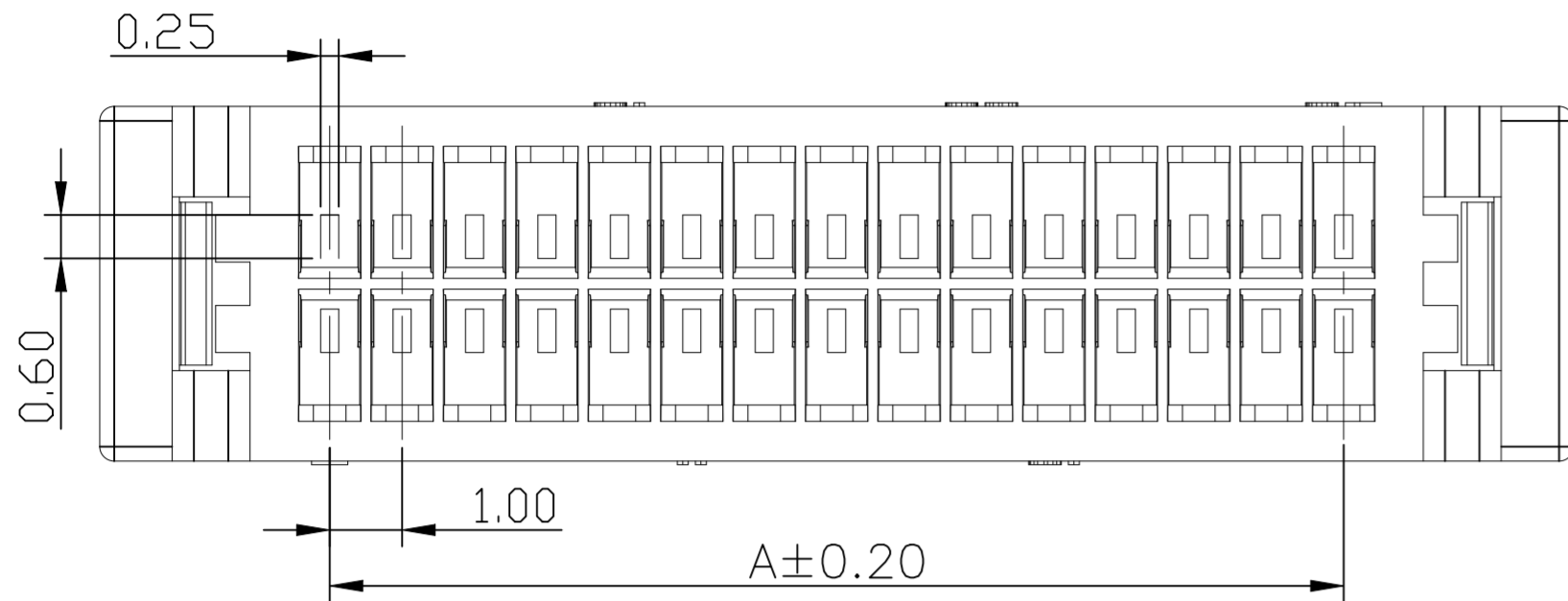
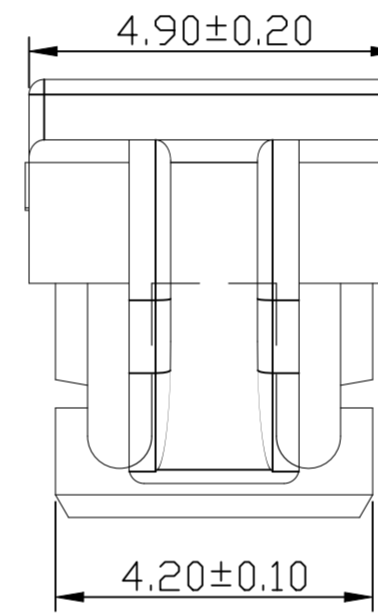
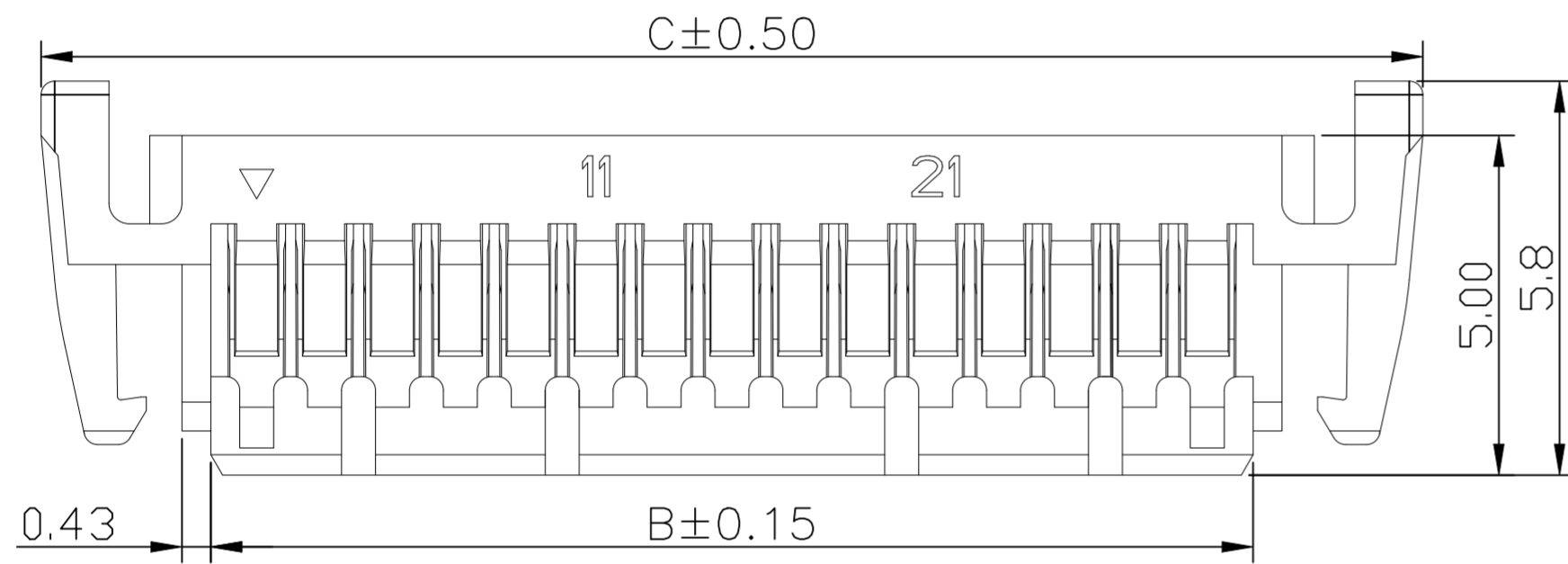


REVISIONS					
P	LTR	DESCRIPTION	DATE	DWN	APVD
	A	INITIAL RELEASE	02DEC2024	GC	JM



Specifications:

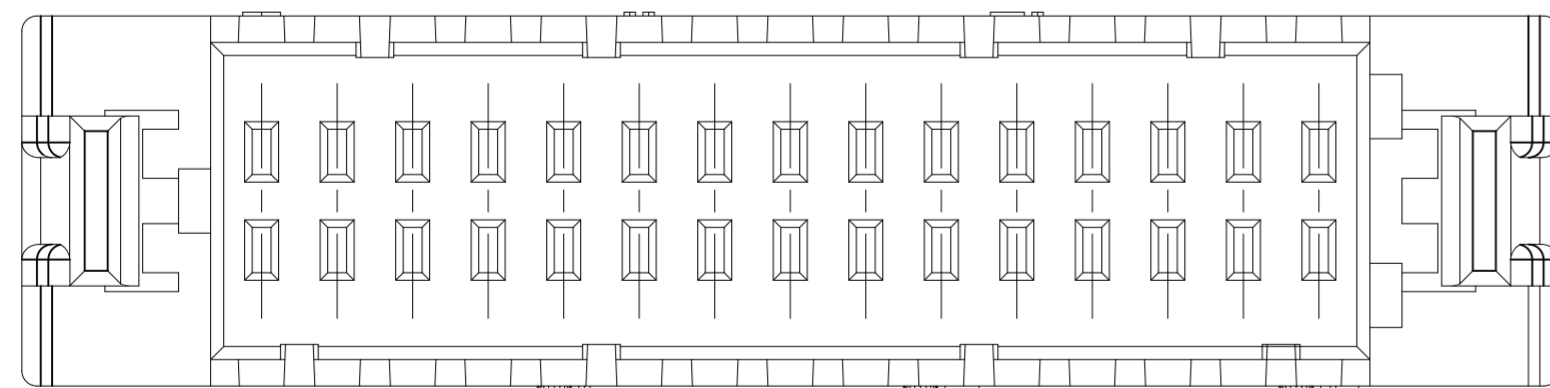
1. Rated Voltage : 50V AC/DC.
2. Rated Current : 1A AC,DC
3. Withstand Voltage : 500V AC/minute
4. Contact Resistance : 20mΩ(MAX.)
5. Insulation Resistance : 100MΩ(MIN.)
6. The product using material and processing must conform to the "WI-PZ-142" HSF technical standard control requirements
7. 2484142-X :Temperature Range-25°C~+85°C
1-2484142-X :Temperature Range-25°C~+105°C



TE PN	Circuits Part No	Dimensions			
		A	B	C	
2484142-1	1-2484142-1	2x6P	5.00	6.35	11.35
2484142-2	1-2484142-2	2x8P	7.00	8.35	13.35
2484142-3	1-2484142-3	2x10P	9.00	10.35	15.35
2484142-4	1-2484142-4	2x12P	11.00	12.35	17.35
2484142-5	1-2484142-5	2x20P	19.00	20.35	25.35
2484142-6	1-2484142-6	2x25P	24.00	25.35	30.35

Suitable for 2484144-X series terminal

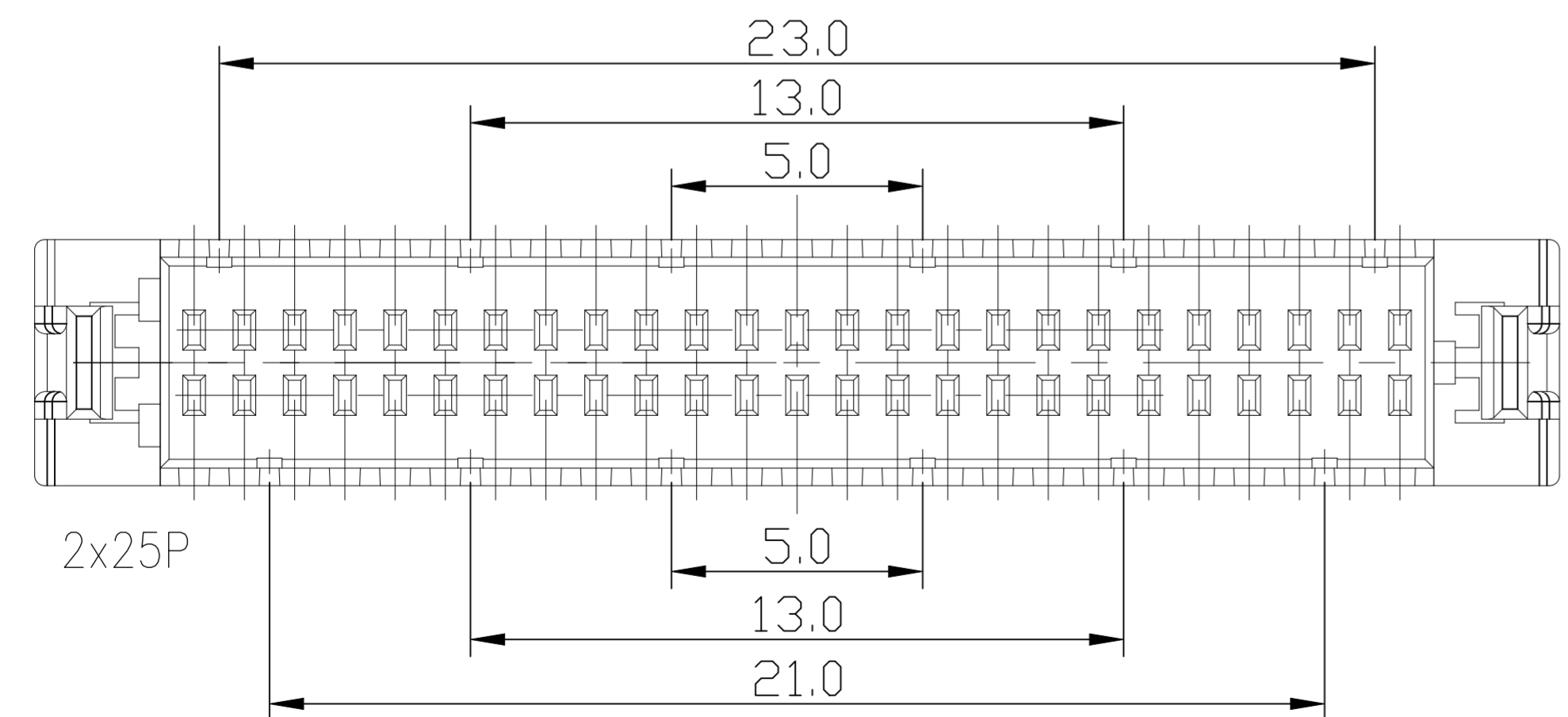
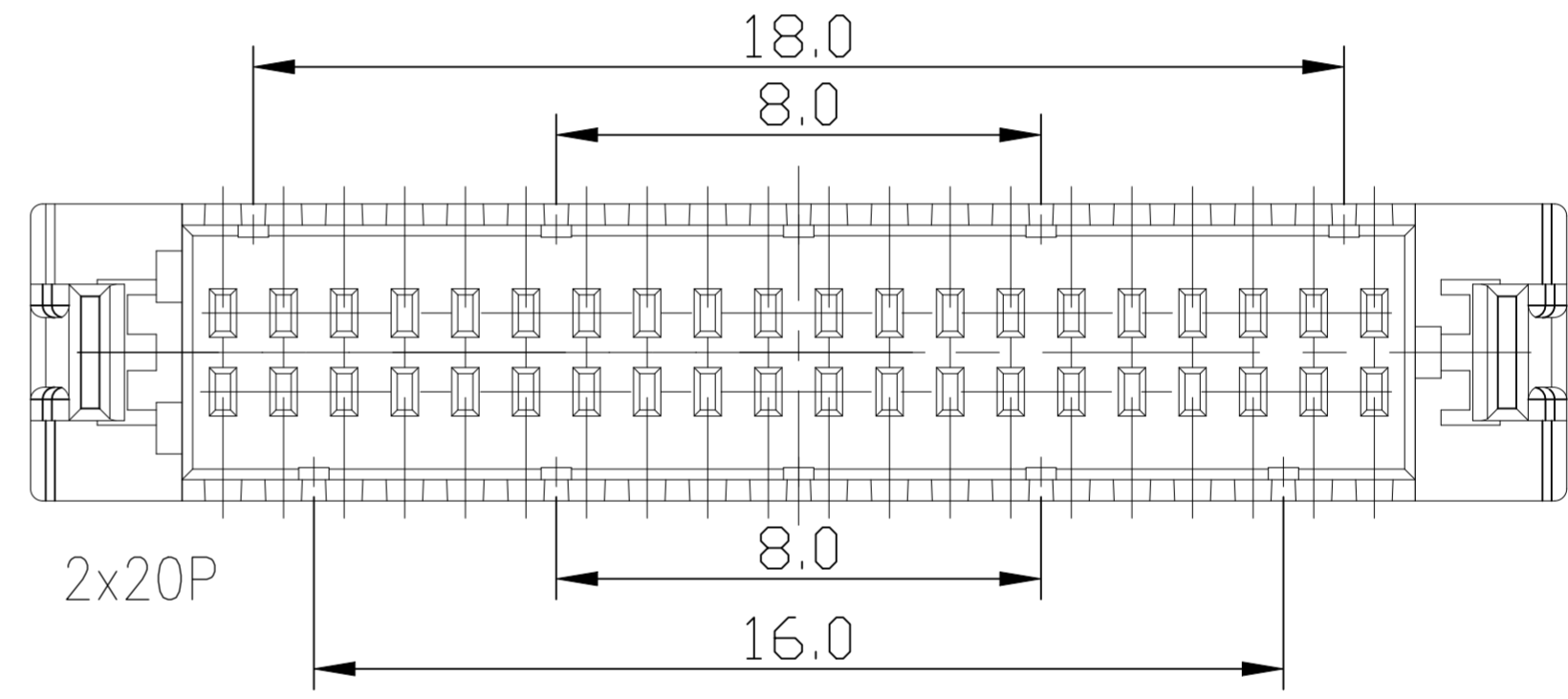
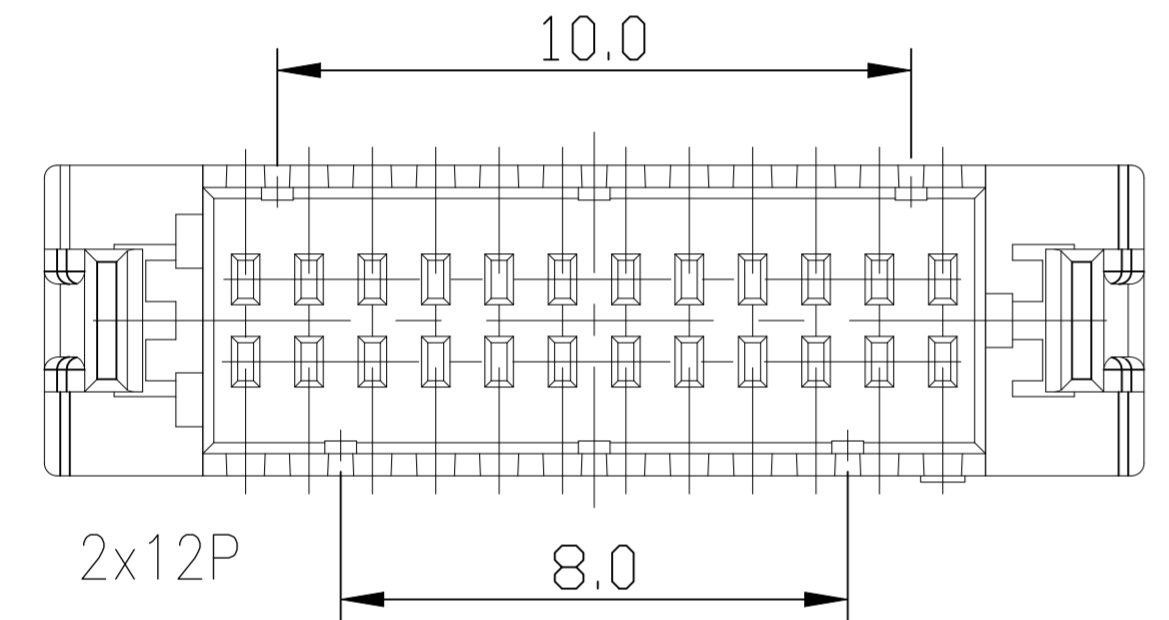
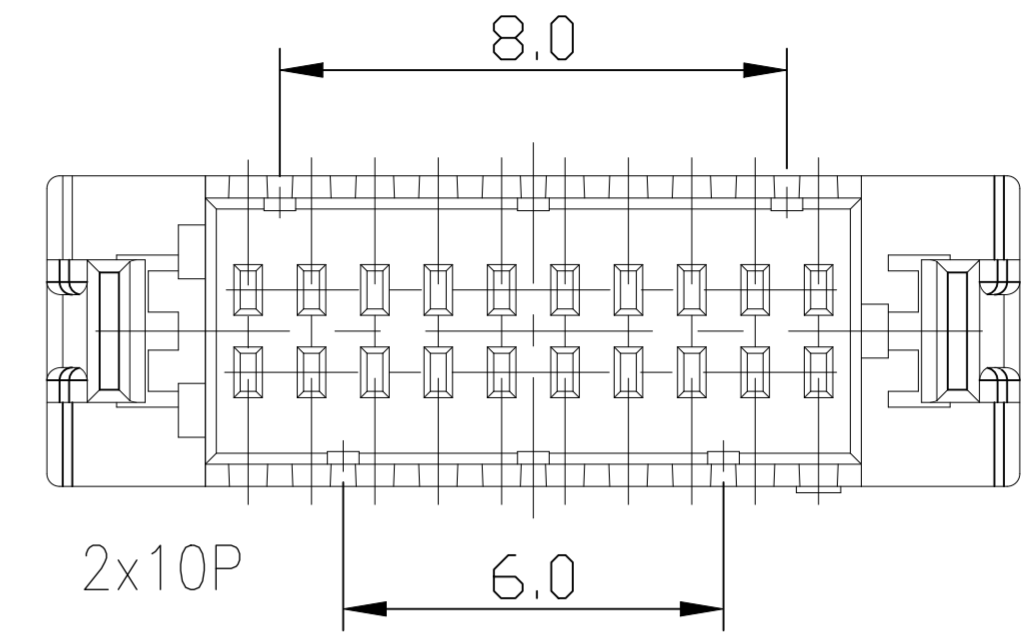
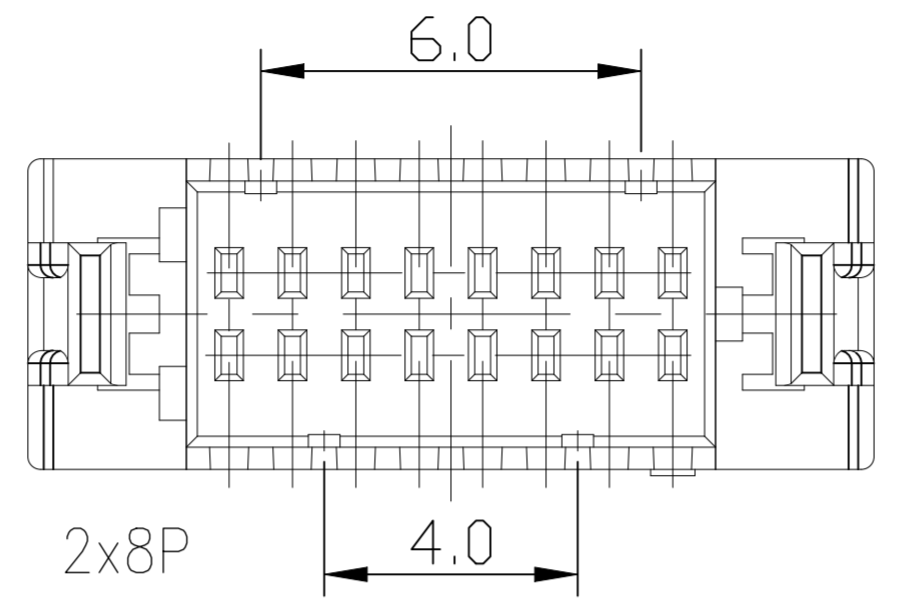
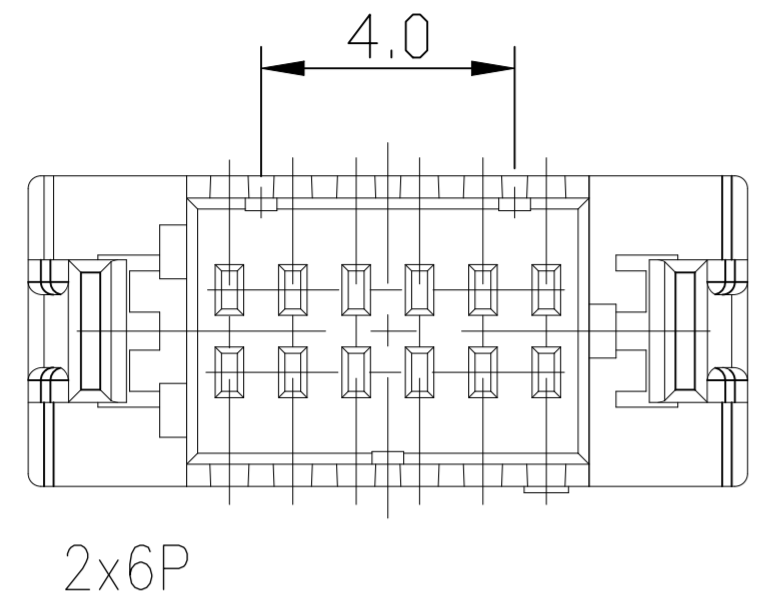
Part No.	Material	Color
2484142-X	PA66,UL94V-0	Natural(White)
1-2484142-X	PA66 (HT),UL94V-0	Natural(White)



THIS DRAWING IS A CONTROLLED DOCUMENT.		DWN GOWTHAM 10APR2024	TE Connectivity	
DIMENSIONS: mm		CHK GOWTHAM 16MAY2024		
TOLERANCES UNLESS OTHERWISE SPECIFIED:		APVD SATHISH P S 16MAY2024	NAME	
0 PLC ± - 1 PLC ± 0.25 2 PLC ± 0.15 3 PLC ± 0.08 4 PLC ± - ± 2°		PRODUCT SPEC 108-161430	1mm PITCH CONNECTOR	
MATERIAL		APPLICATION SPEC 114-161064	SIZE A2	RESTRICTED TO
FINISH		WEIGHT 0	CAGE CODE 00779	DRAWING NO 2484142
		CUSTOMER DRAWING	SCALE 1:1	SHEET 1 of 3
			REV A	

2484142

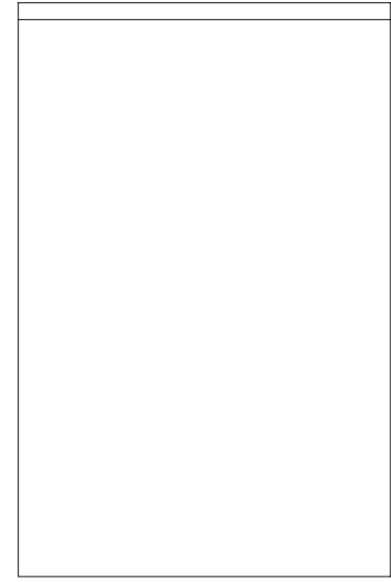
REVISIONS				
P	LTR	DESCRIPTION	DATE	APVD
-	-	SEE SHEET 1	-	-



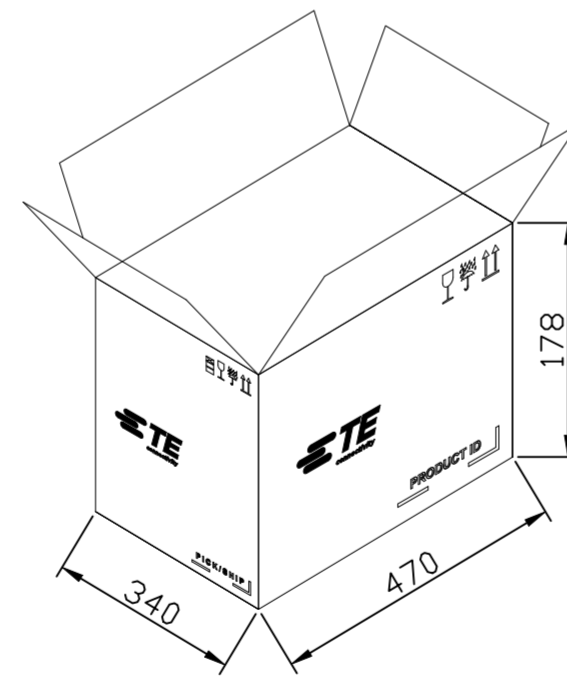
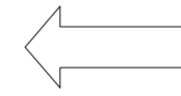
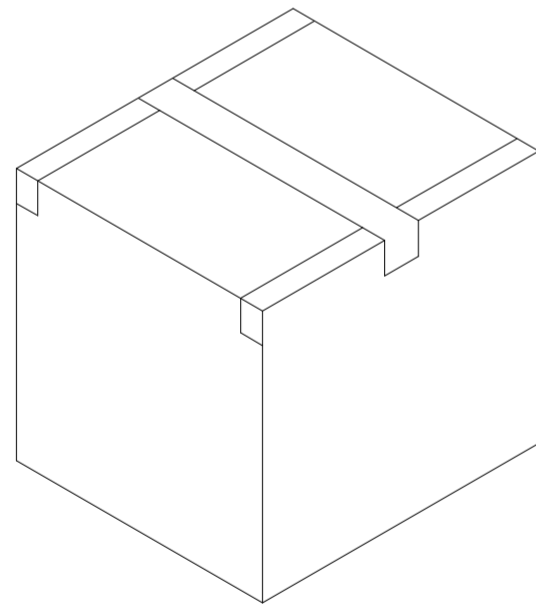
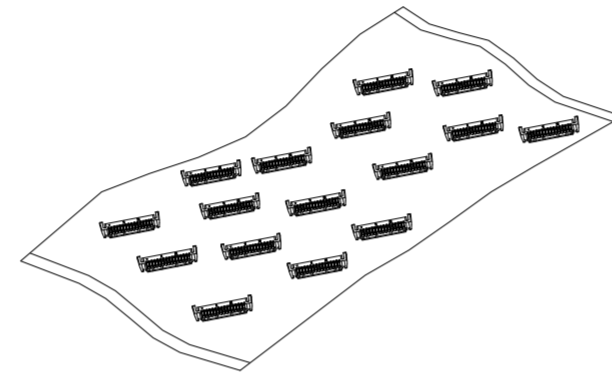
THIS DRAWING IS A CONTROLLED DOCUMENT.		DWN GOWTHAM 10APR2024	TE Connectivity	
		CHK GOWTHAM 16MAY2024		
		APVD SATHISH P S 16MAY2024	NAME 1mm PITCH CONNECTOR	
DIMENSIONS: mm		TOLERANCES UNLESS OTHERWISE SPECIFIED:		PRODUCT SPEC 108-161430
		0 PLC ± - 1 PLC ± 0.25 2 PLC ± 0.15 3 PLC ± 0.08 4 PLC ± - ± 2° ANGLES		APPLICATION SPEC 114-161064
MATERIAL		FINISH		SIZE A2
				CAGE CODE 00779
				DRAWING NO 2484142
				RESTRICTED TO -
		CUSTOMER DRAWING		SCALE 1:1
				SHEET 2 OF 3
				REV A

2484142

REVISIONS				
P	LTR	DESCRIPTION	DATE	APVD
-	-	SEE SHEET 1	-	-



PE SIZE:6PIN~12PIN (178*178)
 15PIN~20PIN (178*267)
 25PIN (229**279)



NOTES:-

1. Put the finished product into the PE bag according to the quantity and seal it.
2. Put the packed PE bag into the carton.
3. Seal it with transparent tape.
4. The inner packaging label is pasted directly above the recycling mark. The label of the outer box is neatly affixed to the place marked "PRODUCT ID" in the outer box.
5. Please refer to the packaging details for the quantity of packaging and other details.

2484142-X
 1-2484142-X
 Packing details:

TE P/N	Packing quantity in PE bag	The number of outer carton packs
2484142-1	1-2484142-1	1000 PCS
2484142-2	1-2484142-2	1000 PCS
2484142-3	1-2484142-3	1000 PCS
2484142-4	1-2484142-4	1000 PCS
2484142-5	1-2484142-5	1000 PCS
2484142-6	1-2484142-6	1000 PCS

2484142

THIS DRAWING IS A CONTROLLED DOCUMENT.		DWN GOWTHAM 10APR2024		
DIMENSIONS: mm		CHK GOWTHAM 16MAY2024		
TOLERANCES UNLESS OTHERWISE SPECIFIED:		APVD SATHISH P S 16MAY2024	NAME 1mm PITCH CONNECTOR	
0 PLC ± - 1 PLC ± 0.25 2 PLC ± 0.15 3 PLC ± 0.08 4 PLC ± ± 2° ANGLES		PRODUCT SPEC 108-161430	RESTRICTED TO	
MATERIAL		APPLICATION SPEC 114-161064	SIZE A2	CAGE CODE 00779
FINISH		WEIGHT 0	DRAWING NO 2484142	
		CUSTOMER DRAWING		SCALE 1:1
		SHEET 3 of 3		REV A