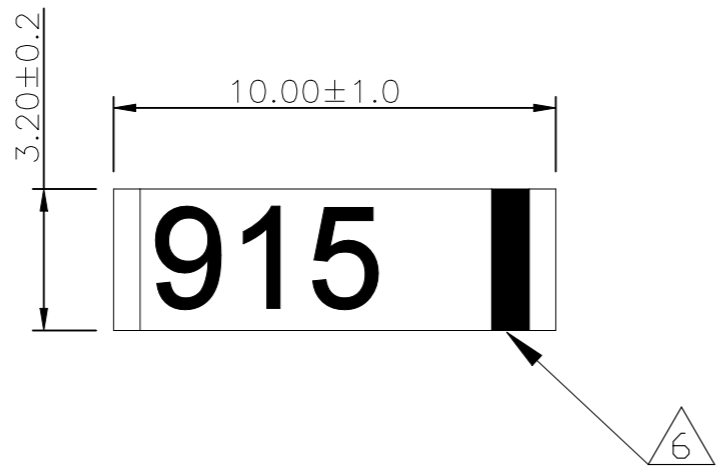


REVISIONS

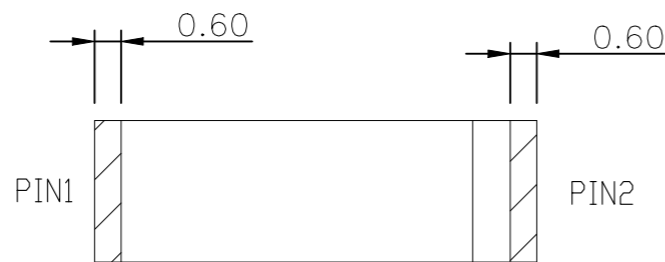
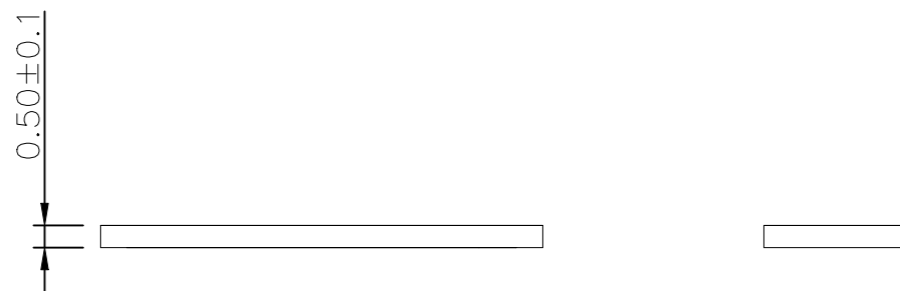
P	LTR	DESCRIPTION	DATE	DWN	APVD
	A	GTP ECN-24-297323	18DEC2024	DC	SJ



NOTE:


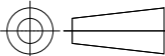
1. MATERIAL : CERAMIC
2. GENERAL TOLERANCE +/-0.2
3. CONTACT TO TE CONNECTIVITY PRIOR DESIGN IN APPLICATION
4. PACKAGE : TAPE & REEL
5. CONSULT TE CONNECTIVITY DATASHEET L000968

△6 INDICATED MARK

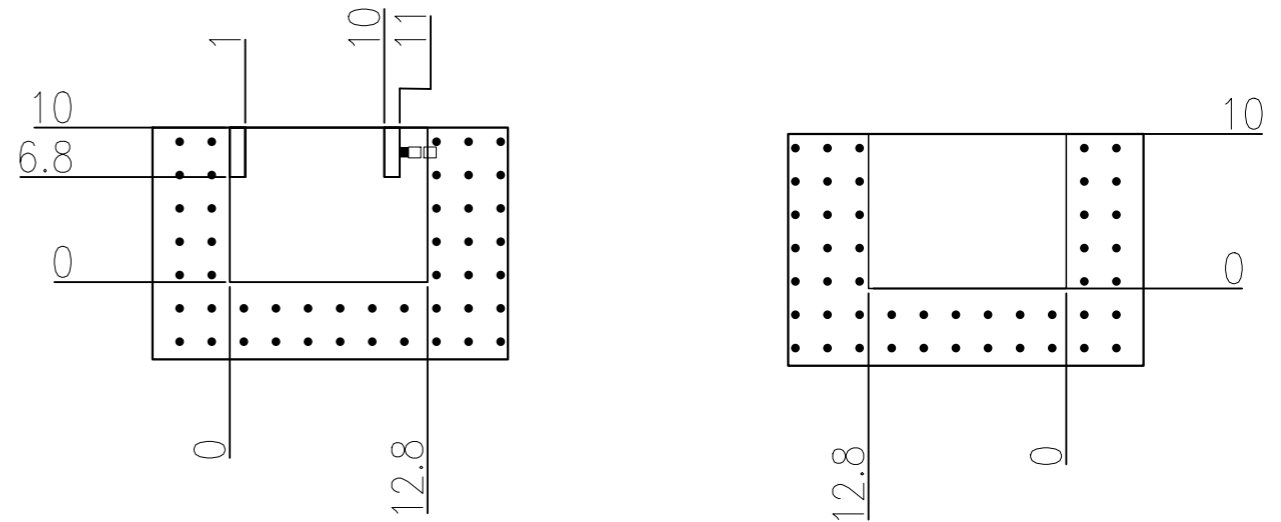
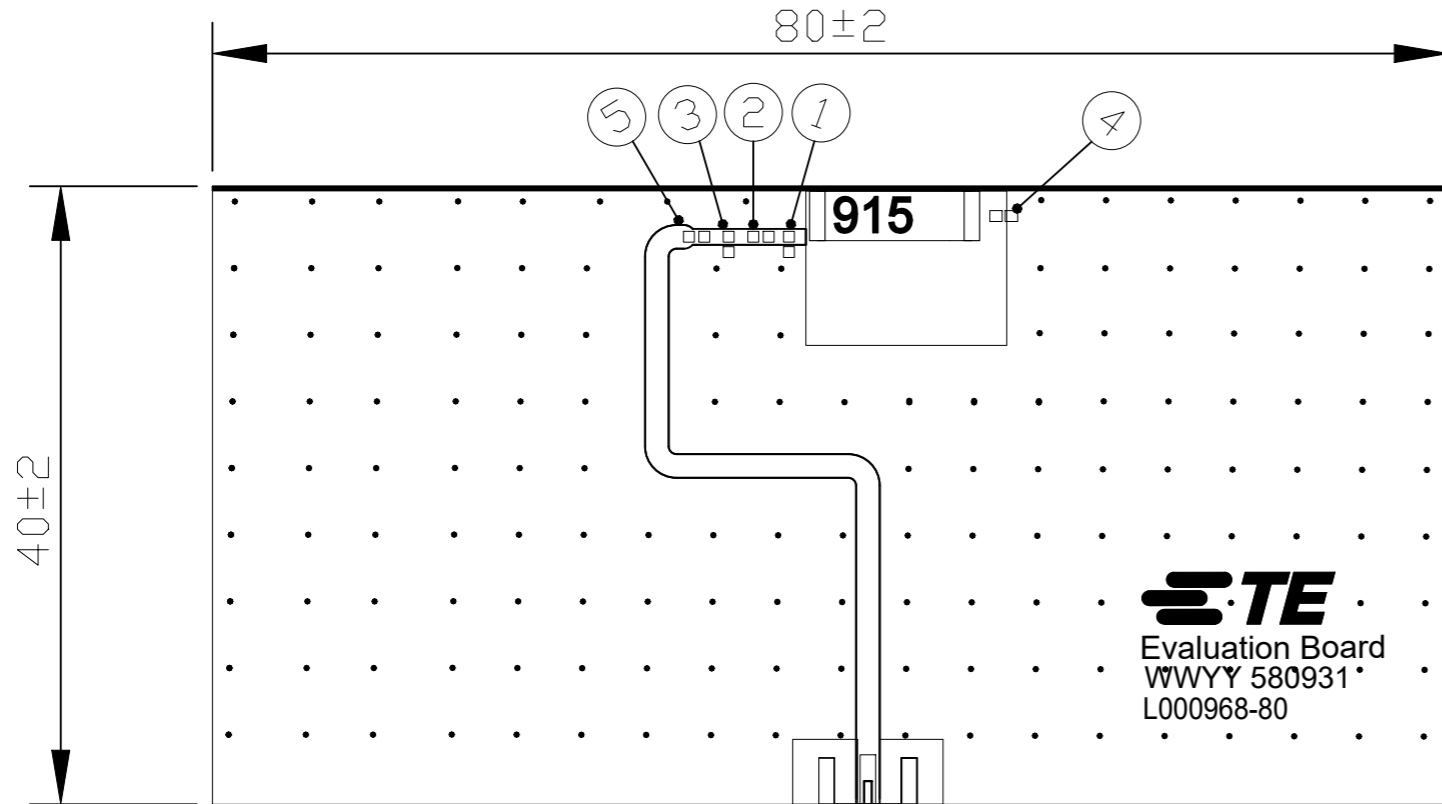


RECOMMENDED SOLDER PAD

L000968-01
TE P/N

THIS DRAWING IS A CONTROLLED DOCUMENT.		DWN DC HSIANG	18DEC2024	 TE Connectivity Ltd.	
DIMENSIONS: mm		CHK SJ NOH	18DEC2024		
TOLERANCES UNLESS OTHERWISE SPECIFIED:		APVD SJ NOH	18DEC2024	NAME CER CHIP ANT, 902-928MHz, 10x3.2x0.5	
		PRODUCT SPEC		RESTRICTED TO	
0 PLC ± - 1 PLC ± - 2 PLC ± - 3 PLC ± - 4 PLC ± - ANGLES ± -		APPLICATION SPEC		SIZE CAGE CODE DRAWING NO	
MATERIAL		WEIGHT		RESTRICTED TO	
-		0		-	
FINISH		CUSTOMER DRAWING		SCALE 4:1 SHEET 1 of 5 REV A	
-		-		A3 00779 C=L000968	

REVISIONS					
P	LTR	DESCRIPTION	DATE	DWN	APVD
-	-	SEE SHEET 1	-	-	-



REFERENCE LAYOUT

SMA female
1/4"-36UNS-2A

1. MATERIAL : SEE TABLE
2. CONSULT TE CONNECTIVITY DATASHEET L000968
3. CONTACT TO TE CONNECTIVITY PRIOR DESIGN IN APPLICATION
4. PACKAGE INNER BOX PACKAGED IN BULK
5. RF SPECS: COVER FREQUENCY 902-928MHz, VSWR < 4:1

L000968-80
TE P/N

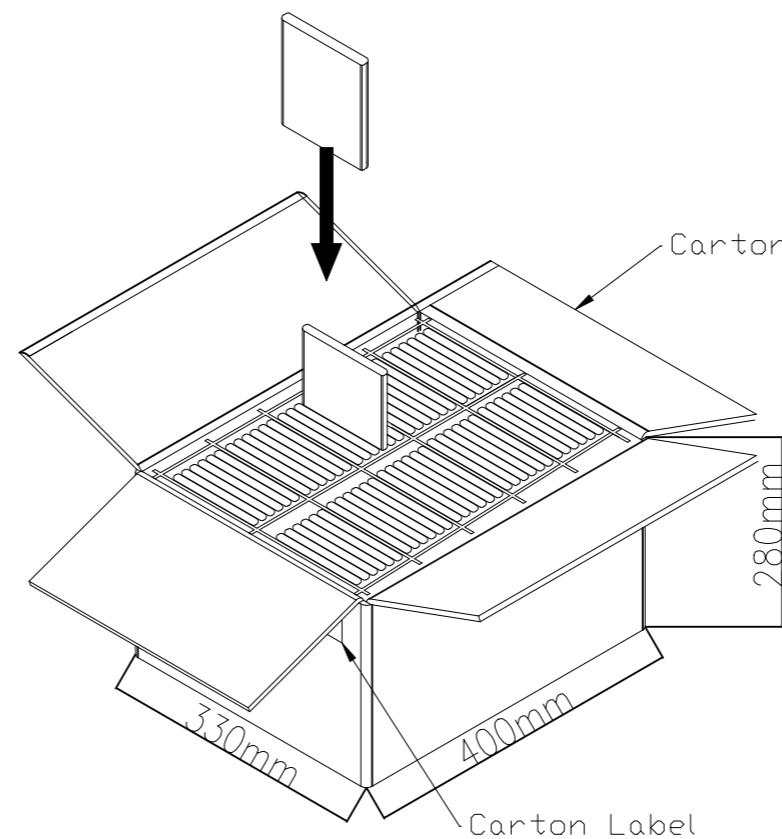
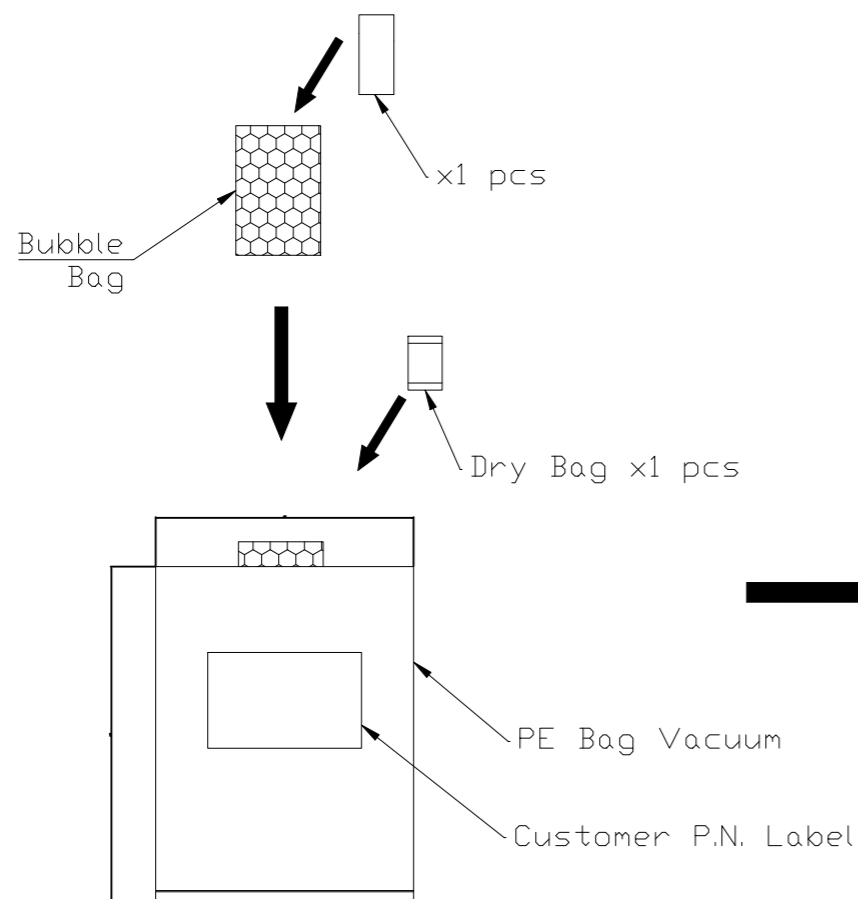
No.	description	QT'Y
5	DC BLOCK	1
4	10pF(0402 MURATA)	1
3	NC	1
2	0Ω(0402 Walsin)	1
1	6.8pF (0402)	1

THIS DRAWING IS A CONTROLLED DOCUMENT.		DWN DC HSIANG 18DEC2024	TE Connectivity Ltd. NAME CER CHIP ANT, 902-928MHz, 10x3.2x0.5				
DIMENSIONS: mm		CHK SJ NOH 18DEC2024					
TOLERANCES UNLESS OTHERWISE SPECIFIED:		APVD SJ NOH 18DEC2024					
0 PLC ± - 1 PLC ± - 2 PLC ± - 3 PLC ± - 4 PLC ± - ANGLES ± -		PRODUCT SPEC -					
MATERIAL -		FINISH -	APPLICATION SPEC -	SIZE A3	CAGE CODE 00779	DRAWING NO C=L000968	RESTRICTED TO -
CUSTOMER DRAWING			WEIGHT -	SCALE 1:1	SHEET 2 OF 5	REV A	

REVISIONS

P	LTR	DESCRIPTION	DATE	DWN	APVD
-	-	SEE SHEET 1	-	-	-

L000968-80
PACKAGE



1 PE Bag
=1 pc EVB Board

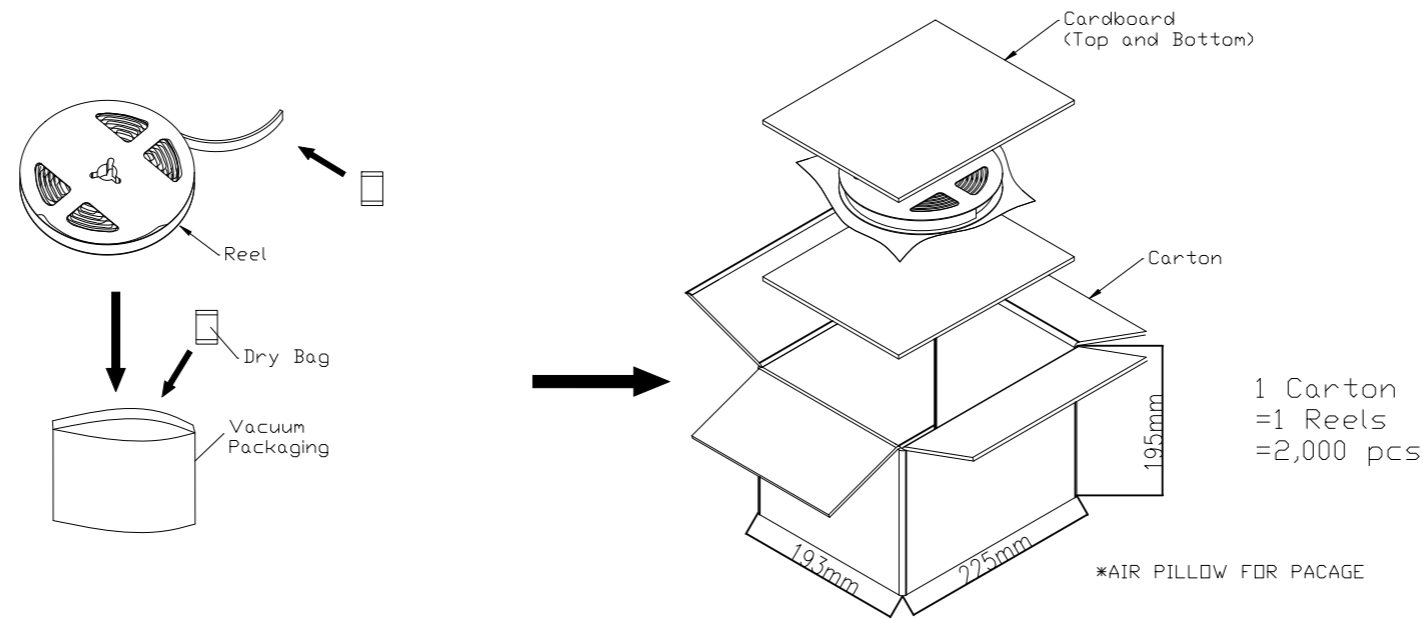
1 Carton
=60 PE Bags
=60 pcs EVB Board

*Buffer Filling of Product Packaging

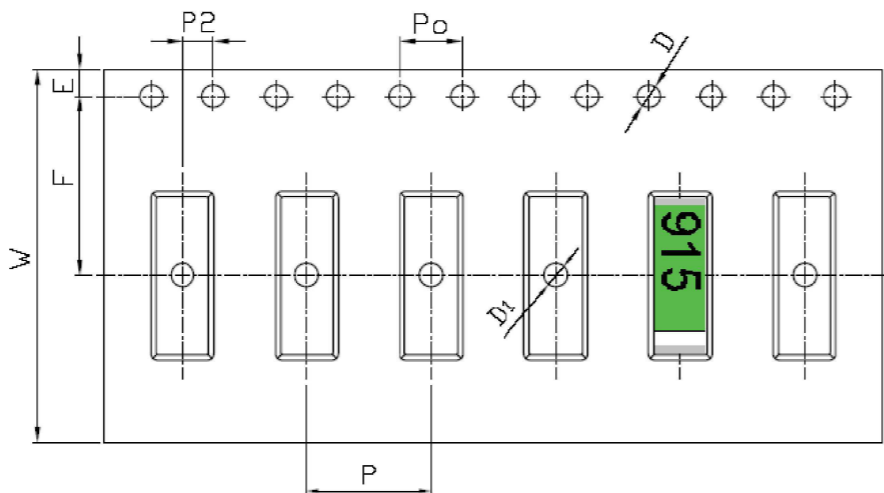
THIS DRAWING IS A CONTROLLED DOCUMENT.		DWN DC HSIANG 18DEC2024	STE TE Connectivity Ltd.		
DIMENSIONS: mm		CHK SJ NOH 18DEC2024			
TOLERANCES UNLESS OTHERWISE SPECIFIED:		APVD SJ NOH 18DEC2024	NAME CER CHIP ANT, 902-928MHz, 10x3.2x0.5		
0 PLC ± -		PRODUCT SPEC	-		
1 PLC ± -		APPLICATION SPEC	-		
2 PLC ± -		WEIGHT	SIZE A3	CAGE CODE 00779	DRAWING NO C=L000968
3 PLC ± -		MATERIAL -	RESTRICTED TO -		
4 PLC ± -			CUSTOMER DRAWING		
ANGLES ± -		SCALE 1:1		SHEET 3 of 5	REV A
FINISH -					

P	LTR	DESCRIPTION	DATE	DWN	APVD
-	-	SEE SHEET 1	-	-	-

L000968-01 PACKAGE



a. Tape Drawing



b. Tape Dimensions (unit: mm)

Feature	Specifications	Tolerances
W	24.00	±0.30
P	8.00	±0.10
E	1.75	±0.10
F	11.50	±0.10
P2	2.00	±0.10
D	1.50	+0.10 0.00
D1	1.50	±0.10
Po	4.00	±0.10
10Po	40.00	±0.20

THIS DRAWING IS A CONTROLLED DOCUMENT.		DWN DC HSIANG 18DEC2024	TE Connectivity Ltd.														
DIMENSIONS: mm		CHK SJ NOH 18DEC2024				NAME CER CHIP ANT, 902-928MHz, 10x3.2x0.5											
TOLERANCES UNLESS OTHERWISE SPECIFIED:		APVD SJ NOH 18DEC2024	PRODUCT SPEC														
<table border="1"> <tr><td>0 PLC</td><td>± -</td></tr> <tr><td>1 PLC</td><td>± -</td></tr> <tr><td>2 PLC</td><td>± -</td></tr> <tr><td>3 PLC</td><td>± -</td></tr> <tr><td>4 PLC</td><td>± -</td></tr> <tr><td>ANGLES</td><td>± -</td></tr> </table>		0 PLC	± -	1 PLC	± -	2 PLC	± -	3 PLC	± -	4 PLC	± -	ANGLES	± -	APPLICATION SPEC		SIZE	RESTRICTED TO
0 PLC	± -																
1 PLC	± -																
2 PLC	± -																
3 PLC	± -																
4 PLC	± -																
ANGLES	± -																
MATERIAL		FINISH	WEIGHT	A3 00779	C=L000968												
CUSTOMER DRAWING			SCALE 1:1	SHEET 4 of 5	REV A												