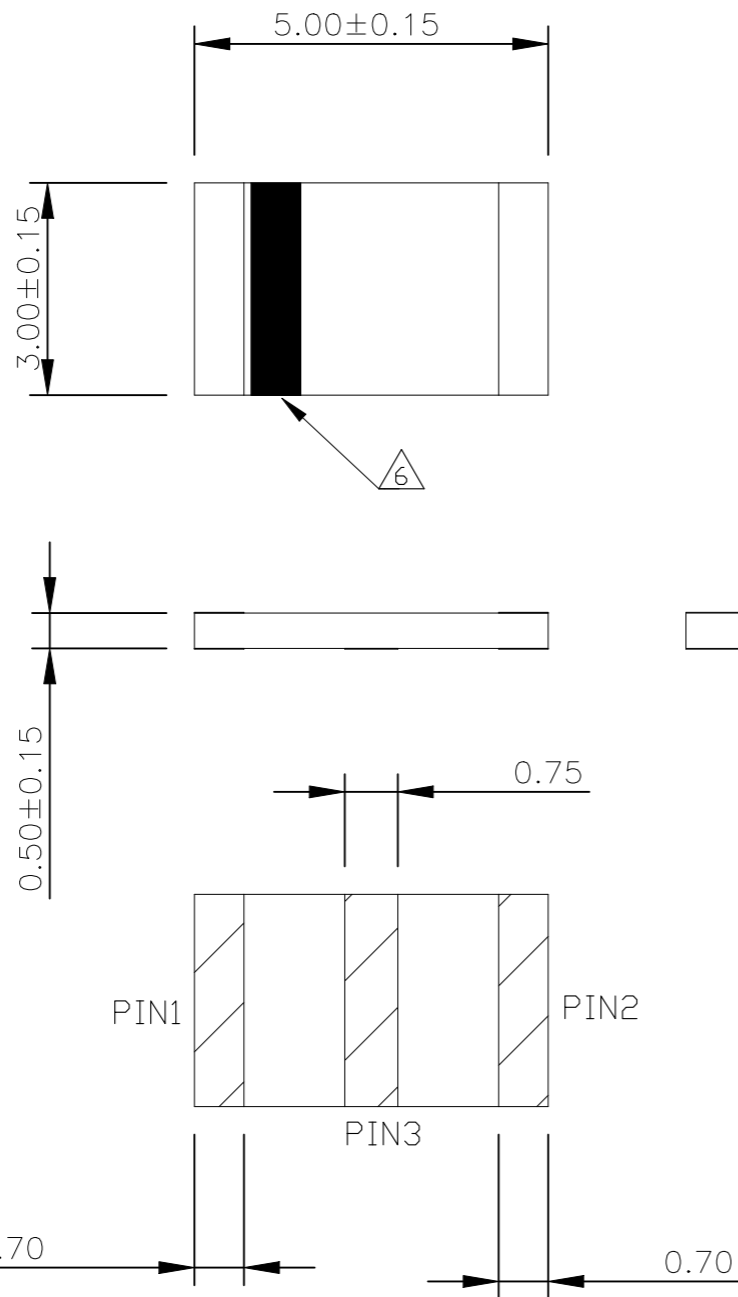


REVISIONS

P	LTR	DESCRIPTION	DATE	DWN	APVD
	A	GTP ECN-24-297323	18DEC2024	DC	SJ



NOTE:

- 1. MATERIAL : CERAMIC
- 2. GENERAL TOLERANCE +/-0.2
- 3. CONTACT TO TE CONNECTIVITY PRIOR DESIGN IN APPLICATION
- 4. PACKAGE : TAPE & REEL
- 5. CONSULT TE CONNECTIVITY DATASHEET L000971

△ INDICATED MARK



RECOMMENDED SOLDER PAD

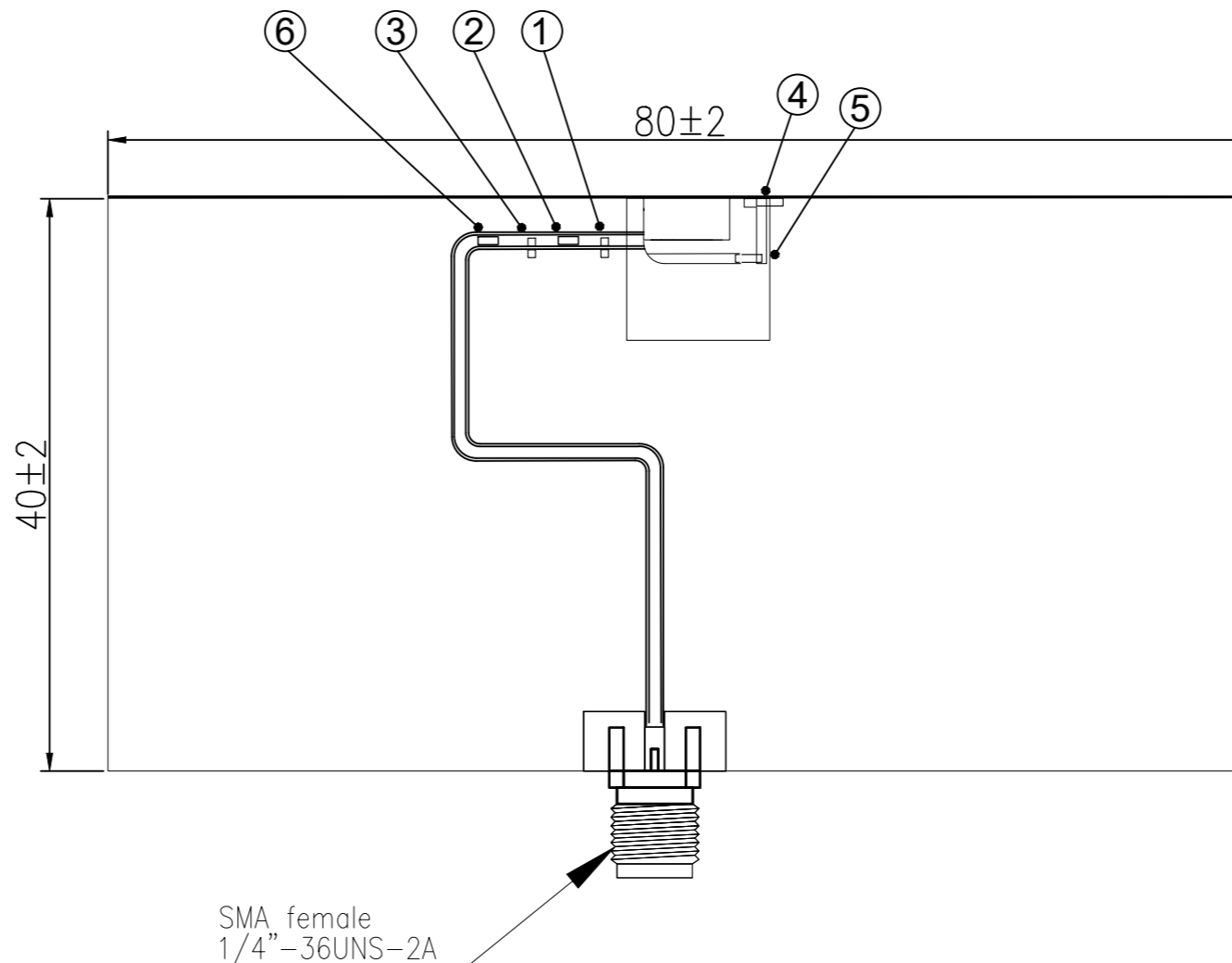
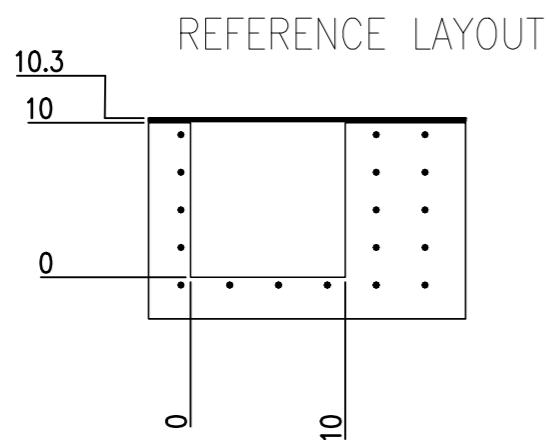
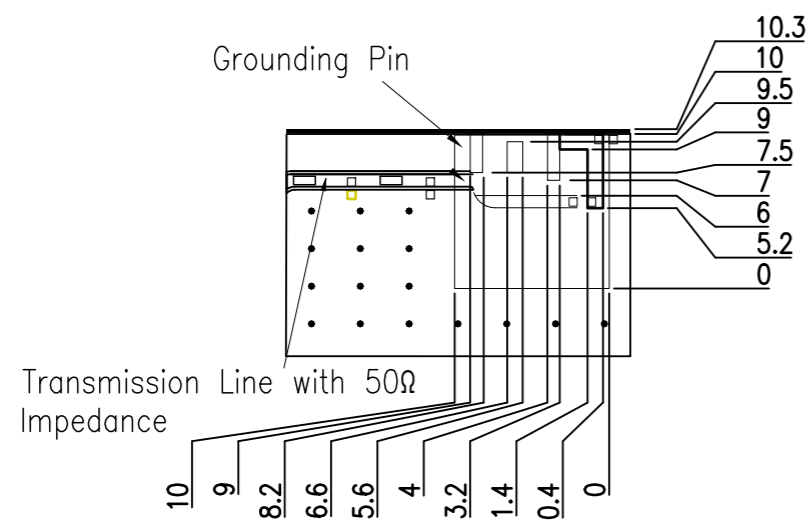
THIS DRAWING IS A CONTROLLED DOCUMENT.

DIMENSIONS: mm	TOLERANCES UNLESS OTHERWISE SPECIFIED:
	0 PLC ± -
	1 PLC ± -
	2 PLC ± -
	3 PLC ± -
	4 PLC ± -
	ANGLES ± -
MATERIAL	FINISH
-	-

DWN	DC HSIANG	18DEC2024
CHK	SJ NOH	18DEC2024
APVD	SJ NOH	18DEC2024
PRODUCT SPEC	-	-
APPLICATION SPEC	-	-
WEIGHT	-	-
CUSTOMER DRAWING		

TE Connectivity Ltd.				L000971-01	
				TE P/N	
NAME				CER CHIP ANT, 915MHz, 5x3x0.5	
SIZE	CAGE CODE	DRAWING NO	RESTRICTED TO		
A3	00779	C=L000971	-		
SCALE			SHEET	REV	
4:1			1 of 5	A	

REVISIONS					
P	LTR	DESCRIPTION	DATE	DWN	APVD
-	-	SEE SHEET 1	-	-	-



SMA female
1/4"-36UNS-2A

1. MATERIAL : SEE TABLE
2. CONSULT TE CONNECTIVITY DATASHEET L000971
3. CONTACT TO TE CONNECTIVITY PRIOR DESIGN IN APPLICATION
4. PACKAGE INNER BOX PACKAGED IN BULK
5. RF SPECS: COVER FREQUENCY 902-928MHz, VSWR < 2.5:1

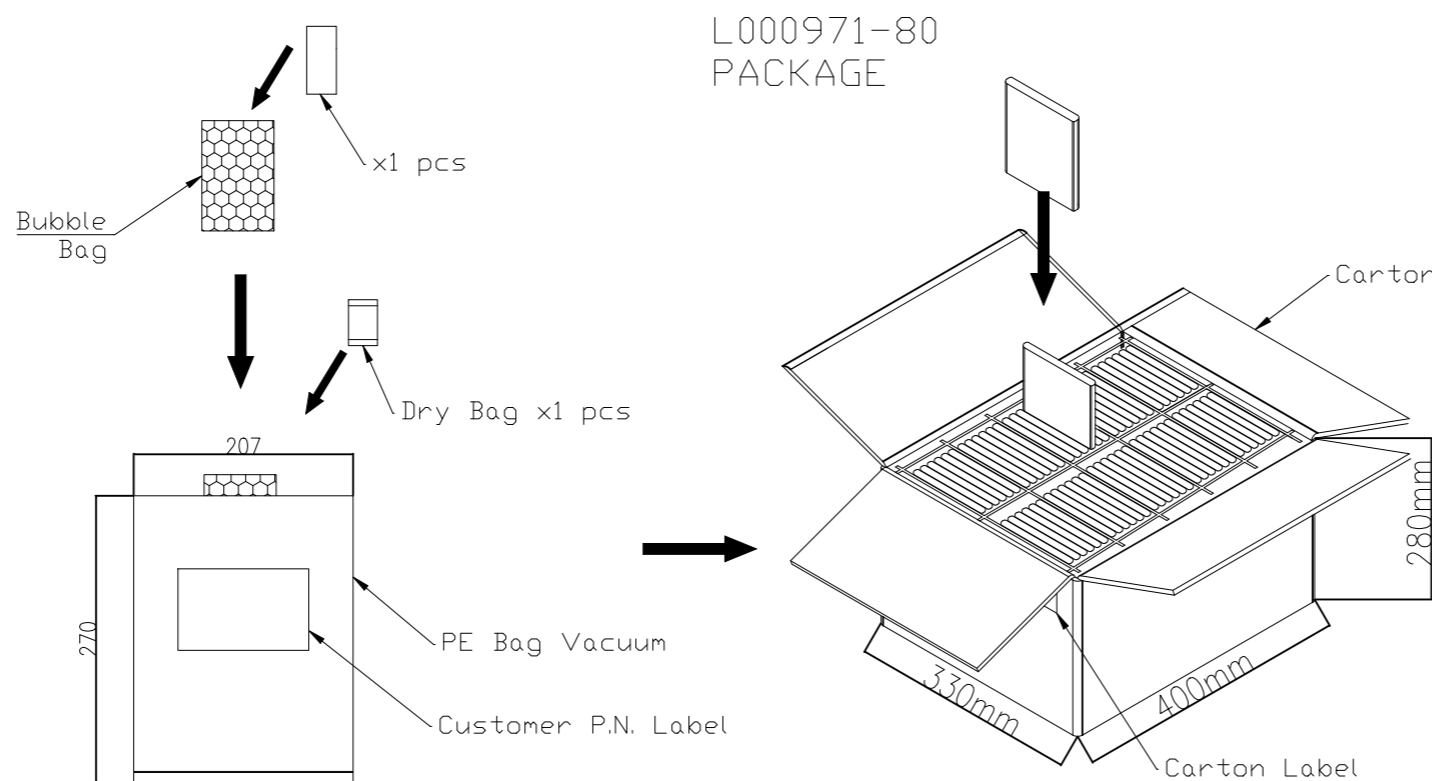
L000971-80
TE P/N

No.	description	QT'Y
6	22pF(0402 MURATA)	1
5	0.9pF(0402 MURATA)	1
4	10pF(0402 MURATA)	1
3	0.3pF(0402 MURATA)	1
2	3.3nH(0402 MURATA)	1
1	NC	0

THIS DRAWING IS A CONTROLLED DOCUMENT.		DWN DC HSIANG 18DEC2024	TE Connectivity Ltd. CER CHIP ANT, 915MHz, 5x3x0.5				
DIMENSIONS: mm		CHK SJ NOH 18DEC2024				NAME	
TOLERANCES UNLESS OTHERWISE SPECIFIED:		APVD SJ NOH 18DEC2024				PRODUCT SPEC	
0 PLC ± - 1 PLC ± - 2 PLC ± - 3 PLC ± - 4 PLC ± - ANGLES ± -		APPLICATION SPEC					
MATERIAL		WEIGHT 0	SIZE A3	CAGE CODE 00779	DRAWING NO C-L000971		
		CUSTOMER DRAWING			RESTRICTED TO		
		SCALE 1:1		SHEET 2 of 5	REV A		

REVISIONS

P	LTR	DESCRIPTION	DATE	DWN	APVD
-	-	SEE SHEET 1	-	-	-



1 PE Bag
=1 pc EVB Board

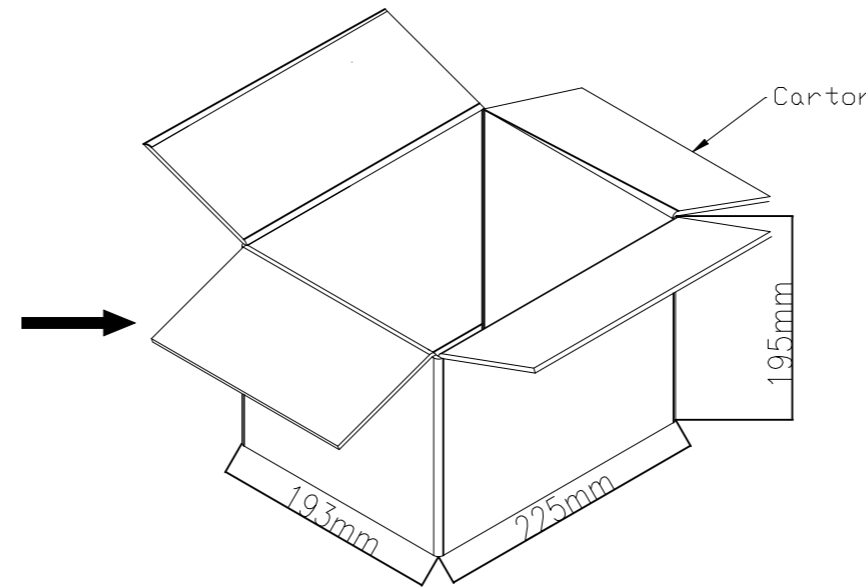
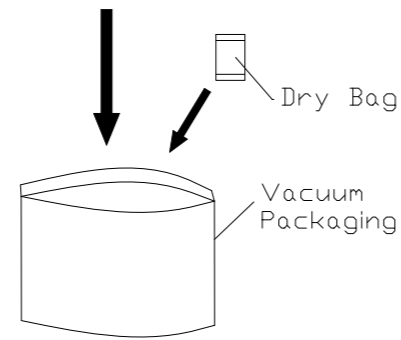
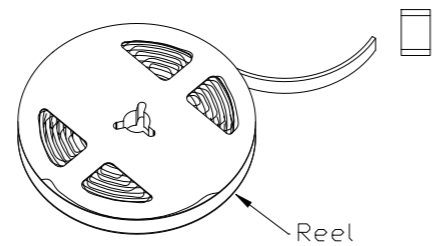
1 Carton
=60 PE Bags
=60 pcs EVB Board

*Buffer Filling Of Product Packaging

THIS DRAWING IS A CONTROLLED DOCUMENT.		DWN DC HSIANG	18DEC2024	STE TE Connectivity Ltd.	
DIMENSIONS: mm		CHK SJ NOH	18DEC2024		
TOLERANCES UNLESS OTHERWISE SPECIFIED:		APVD SJ NOH	18DEC2024	NAME CER CHIP ANT, 915MHz, 5x3x0.5	
0 PLC ± -		PRODUCT SPEC	-	SIZE A3	
1 PLC ± -		APPLICATION SPEC	-	CAGE CODE 00779	DRAWING NO C=L000971
2 PLC ± -		WEIGHT	-	RESTRICTED TO -	
3 PLC ± -		CUSTOMER DRAWING		SCALE 1:1	SHEET 3 of 5
4 PLC ± -				REV A	
ANGLES ± -					
FINISH					
MATERIAL					

L000971-01 PACKAGE

REVISIONS					
P	LTR	DESCRIPTION	DATE	DWN	APVD
-	-	SEE SHEET 1	-	-	-

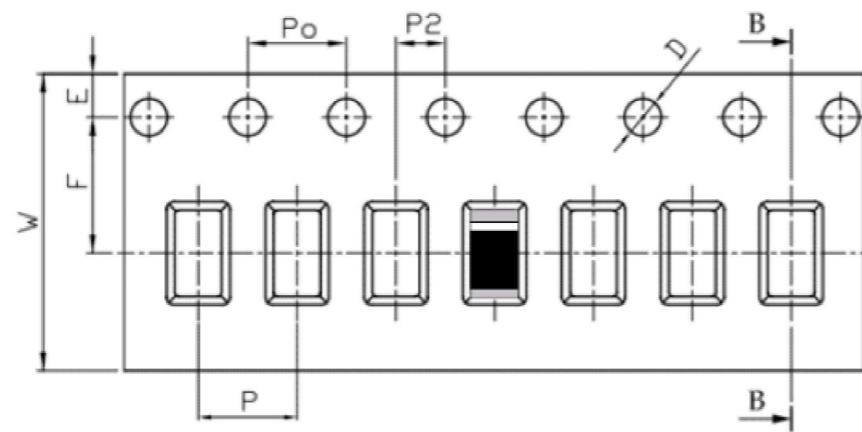


1 Reel
=2,000 pcs

1 Carton
=2 Reels
=4,000 pcs

*AIR PILLOW FOR PACKAGE

a. Tape Drawing



b. Tape Dimensions (unit: mm)

Feature	Specifications	Tolerances
W	12.00	±0.30
P	8.00	±0.10
E	1.75	±0.10
F	5.50	±0.10
P2	2.00	±0.10
D	1.50	+0.10 -0.00
Po	4.00	±0.10
10Po	40.00	±0.20

THIS DRAWING IS A CONTROLLED DOCUMENT.

DWN DC HSIANG 18DEC2024

CHK SJ NOH 18DEC2024

APVD SJ NOH 18DEC2024

PRODUCT SPEC

APPLICATION SPEC

WEIGHT -

STE TE Connectivity Ltd.

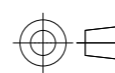
NAME CER CHIP ANT, 915MHz, 5x3x0.5

SIZE CAGE CODE DRAWING NO RESTRICTED TO

A3 00779 C=L000971

DIMENSIONS:
mm

TOLERANCES UNLESS OTHERWISE SPECIFIED:



0 PLC	± -
1 PLC	± -
2 PLC	± -
3 PLC	± -
4 PLC	± -
ANGLES	± -
FINISH	-

MATERIAL -

CUSTOMER DRAWING

SCALE 1:1

SHEET 4 OF 5

REV A