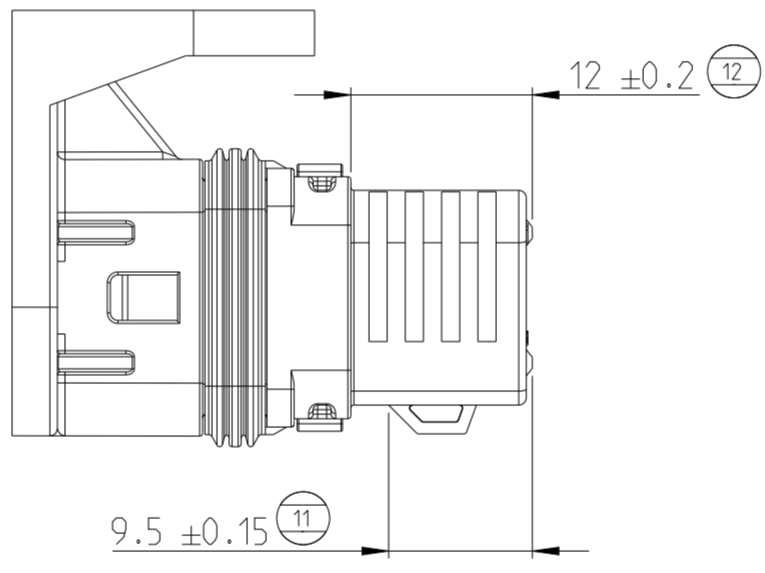
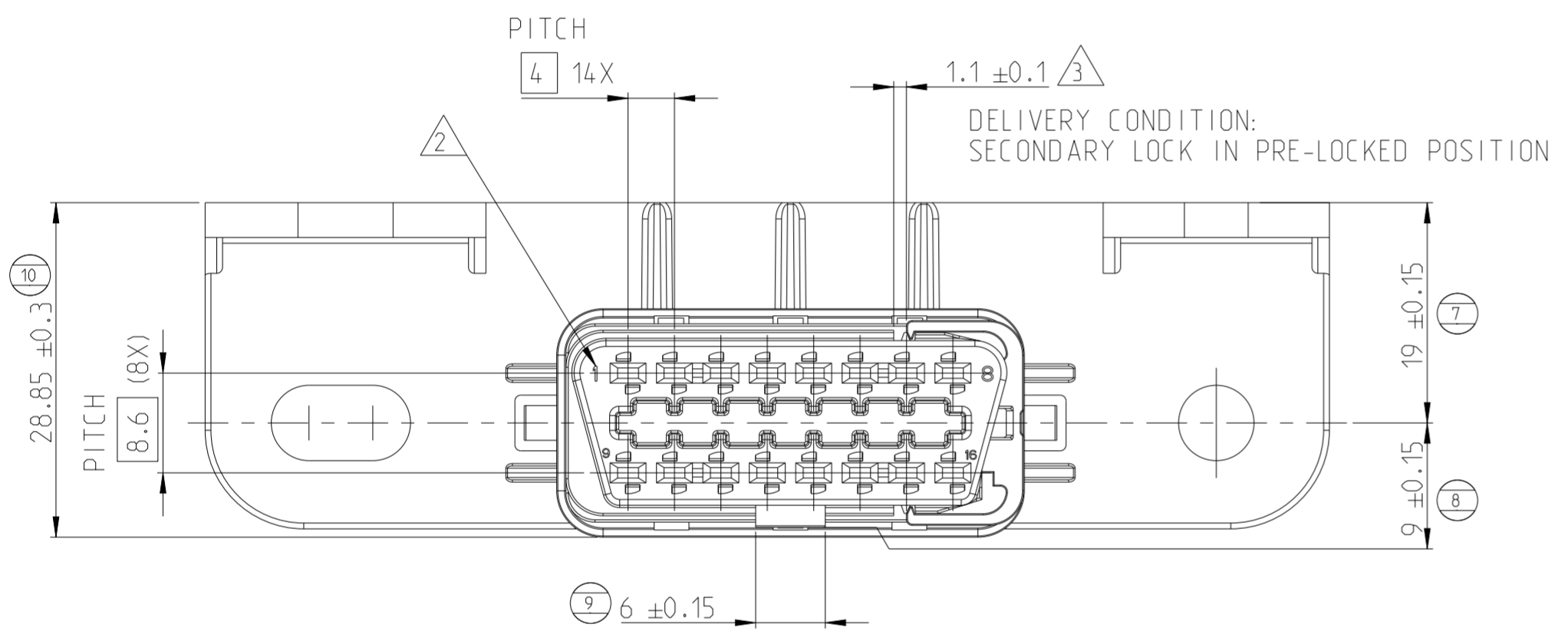
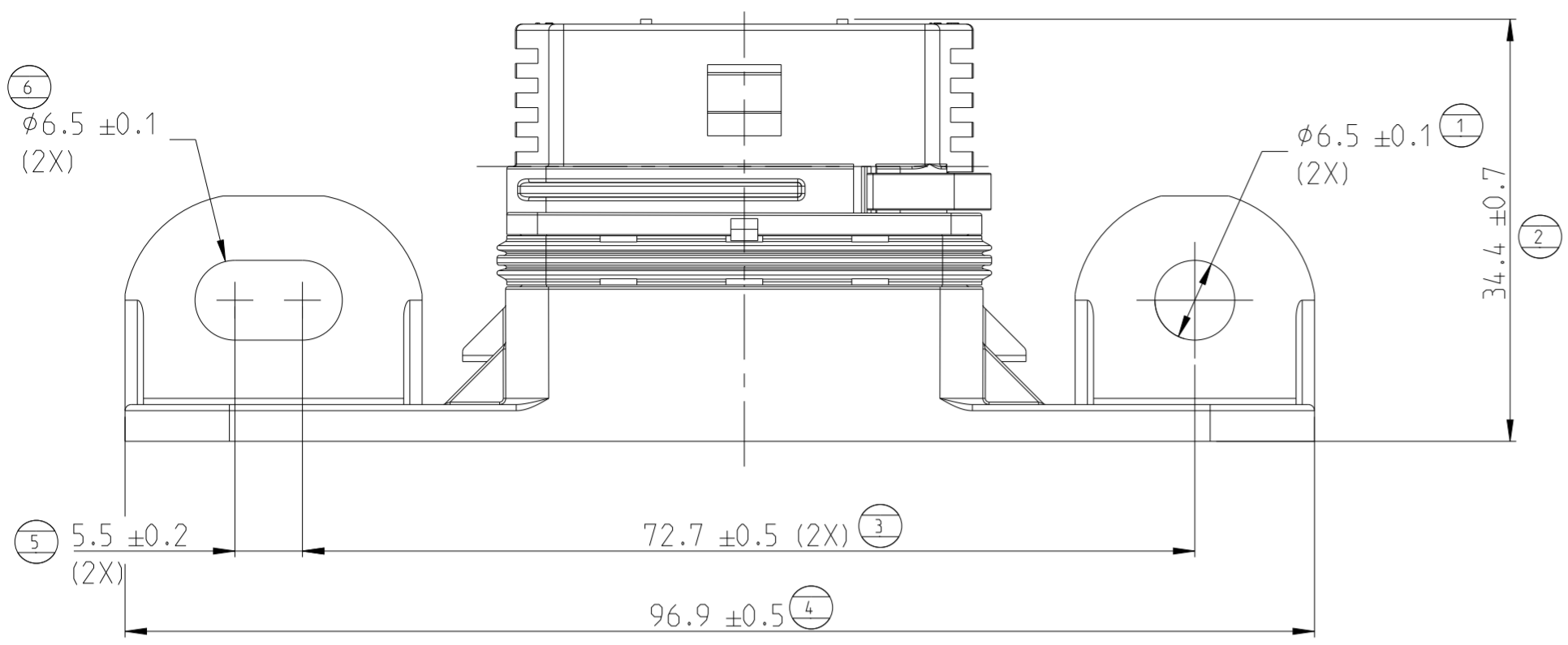


© 2023 TE Connectivity. All Rights Reserved.

REVISIONS					
P	LTR	DESCRIPTION	DATE	DWN	APVD
1		NEW DRAWING	18AUG2023	YP	GSM
A		INITIAL PRODUCTION RELEASE	01APR2024	YP	GSM
A1		PRODUCT AND APPLICATION SPEC NUMBER UPDATED	13JAN2025	SY	GSM

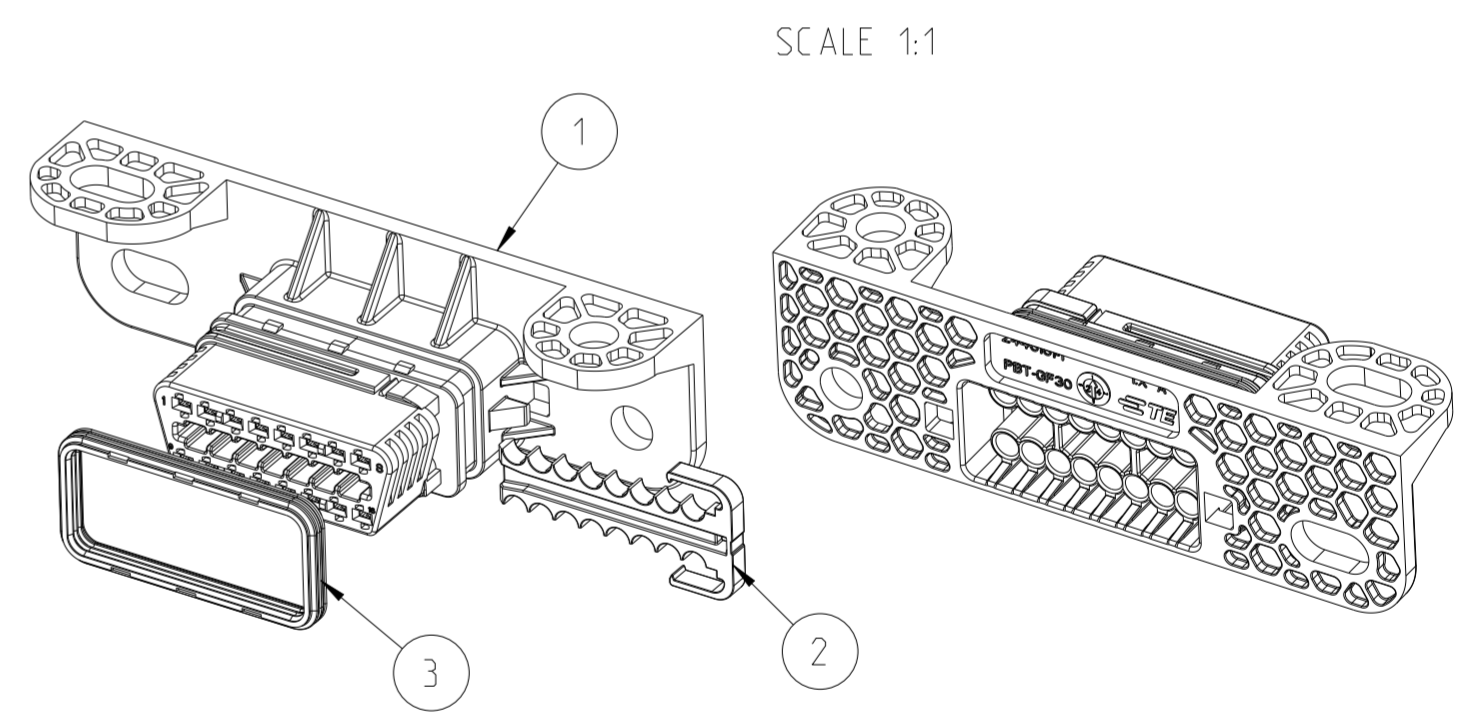


NOTES:

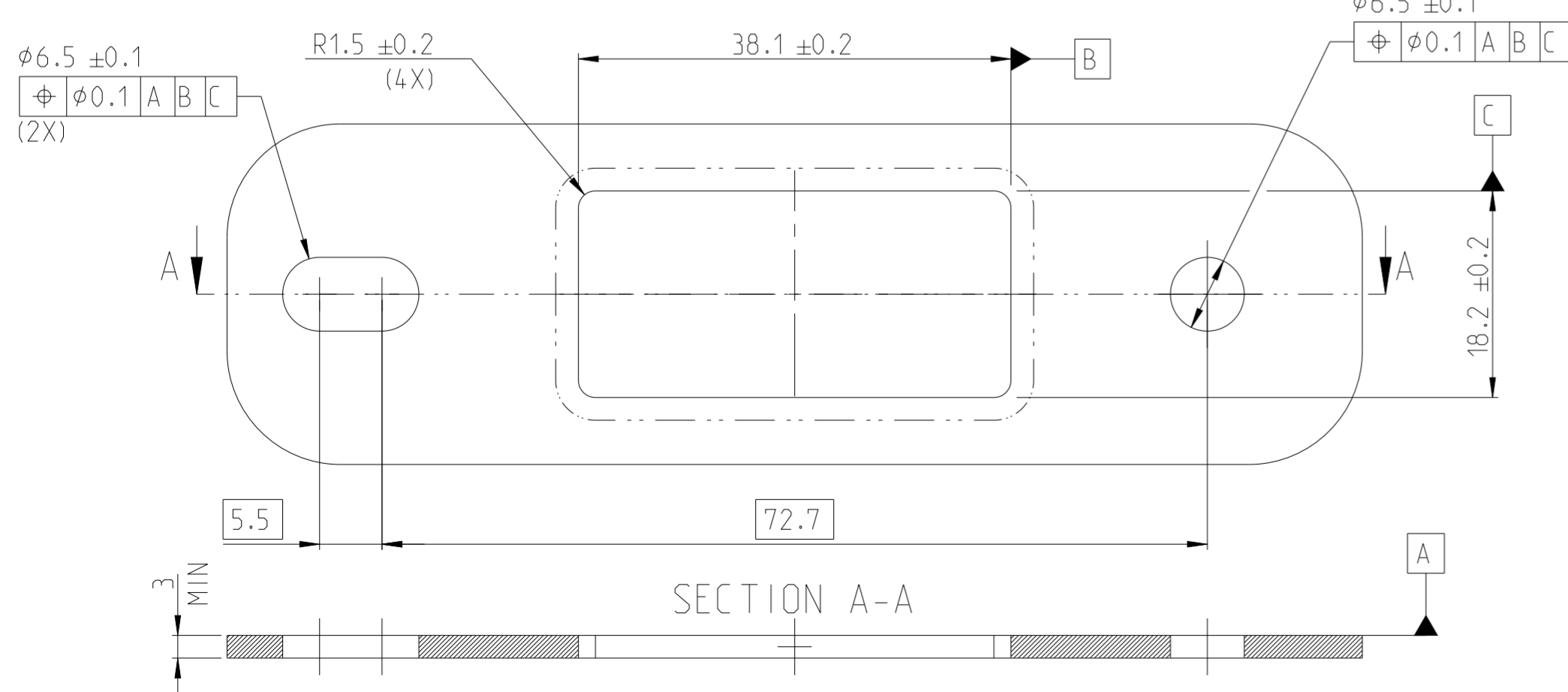
- 1 TE ORDER-NUMBER 2446115-1
- CONTACT CAVITY MARKING
- SLIDING DISTANCE OF SECONDARY LOCK
- MATES WITH COVER ASSEMBLY PN- 2458826-1
- SUITABLE CONTACT AND APPLICABLE WIRE DETAILS, REFER BELOW TABLE

AMP MCP 1.5K x 0.8 TERMINAL PN#	PLATING	WIRE SIZE(mm²)	INSULATION DIA (mm)	SINGLE WIRE SEAL PN
1534162-1	TIN	0.5	1.4....2.1	963530-1
		0.75		964972-1
		1.0		

- SUITABLE CAVITY PLUG/BLIND PLUG PN 963531-1
- PACKAGING: PARTITION PACKAGING IN CORRUGATED BOX



MOUNTING PANEL CUT OUT SPECIFICATION  
MIN 3mm PANEL THICKNESS



1	A	PERIPHERAL SEAL	0.5	LSR	NATURAL WHITE	3
1	A	SECONDARY LOCK	1.0	PBT-GF30	YELLOW	2
1	A	16P REC HOUSING	22.35	PBT-GF30	BLACK	1
0-1	REV	DESCRIPTION	WEIGHT [g]	MATERIAL	COLOUR	ITEM NO
A	REVISION OF EACH ASSY NO WHEN BLANK, USE DWG REVISION					
23.75	WEIGHT OF ASSY NO [g]					
QTY REQD PER ASSY	PARTS LIST					

THIS DRAWING IS A CONTROLLED DOCUMENT.

DWN: YASHWANTH B, 18AUG2023  
CHK: SANTOSH K, 18AUG2023  
APVD: MANJUNATHA G S, 18AUG2023

TE Connectivity

SEALED 16P OBD ASSEMBLY, CONN

108-94989  
114-97899

SIZE: A2, CAGE CODE: 00779, DRAWING NO: C-2446115, RESTRICTED TO: -

CUSTOMER DRAWING, SCALE: 2:1, SHEET: 1 OF 1, REV: A1