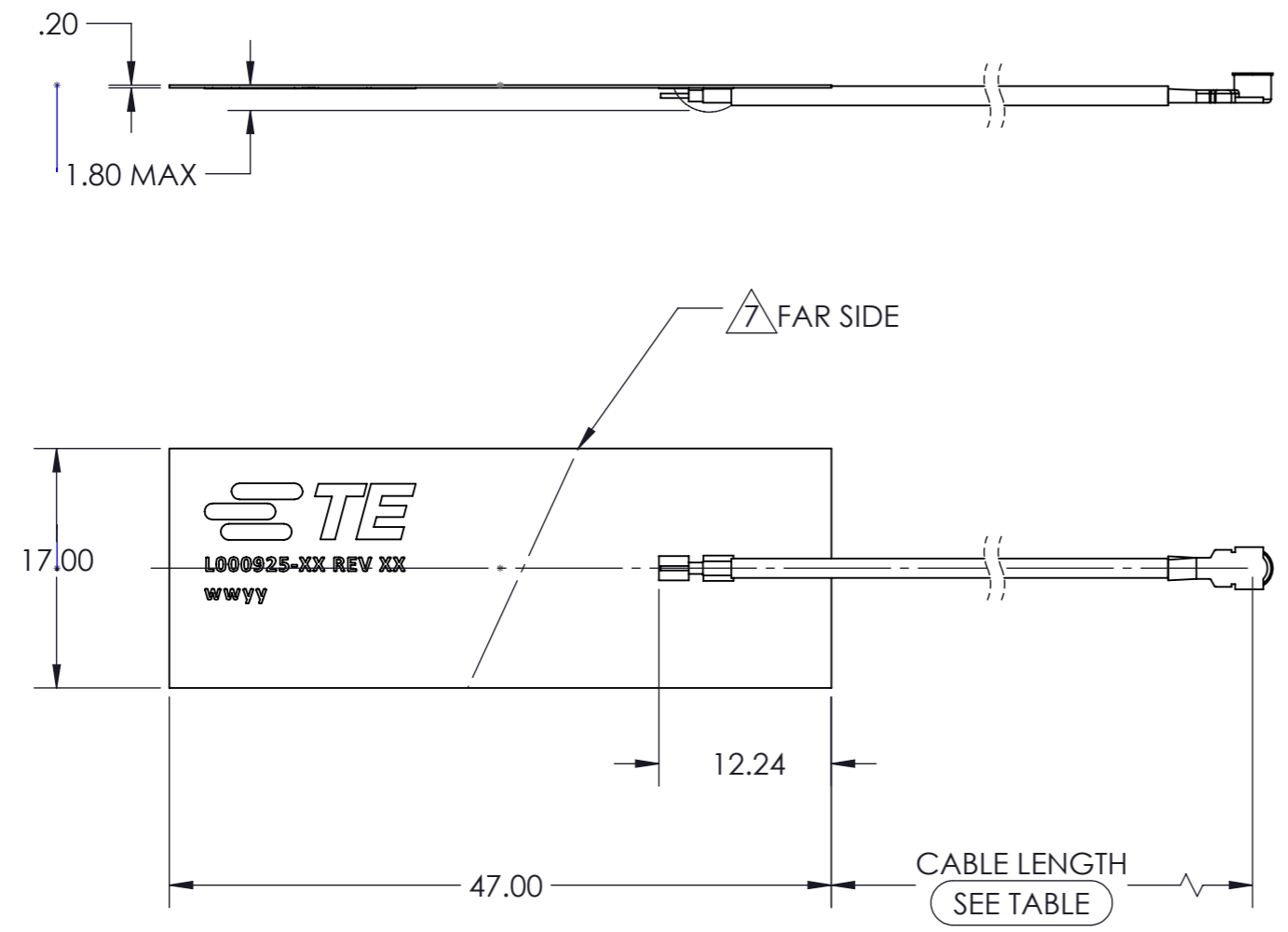


REV	DESCRIPTION	DATE	DWN	APVD
1	PRELIMINARY RELEASE	3/7/2024	JH	HLIU
A	PRODUCTION RELEASE	7/15/2024	JH	HLIU
A1	UPDATED TO ADD PACKAGING DATA SHT2. CABLE TYPE WAS 1.37mm MIN BEND WAS 9mm.	12/23/2024	JH	CA

DWG NO C-L000925  
THIS DRAWING IS A CONTROLLED DOCUMENT



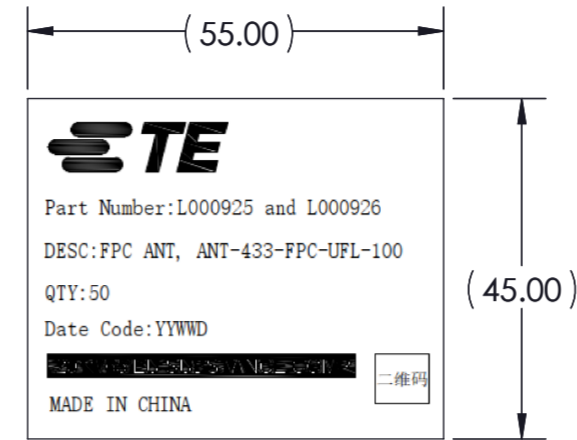
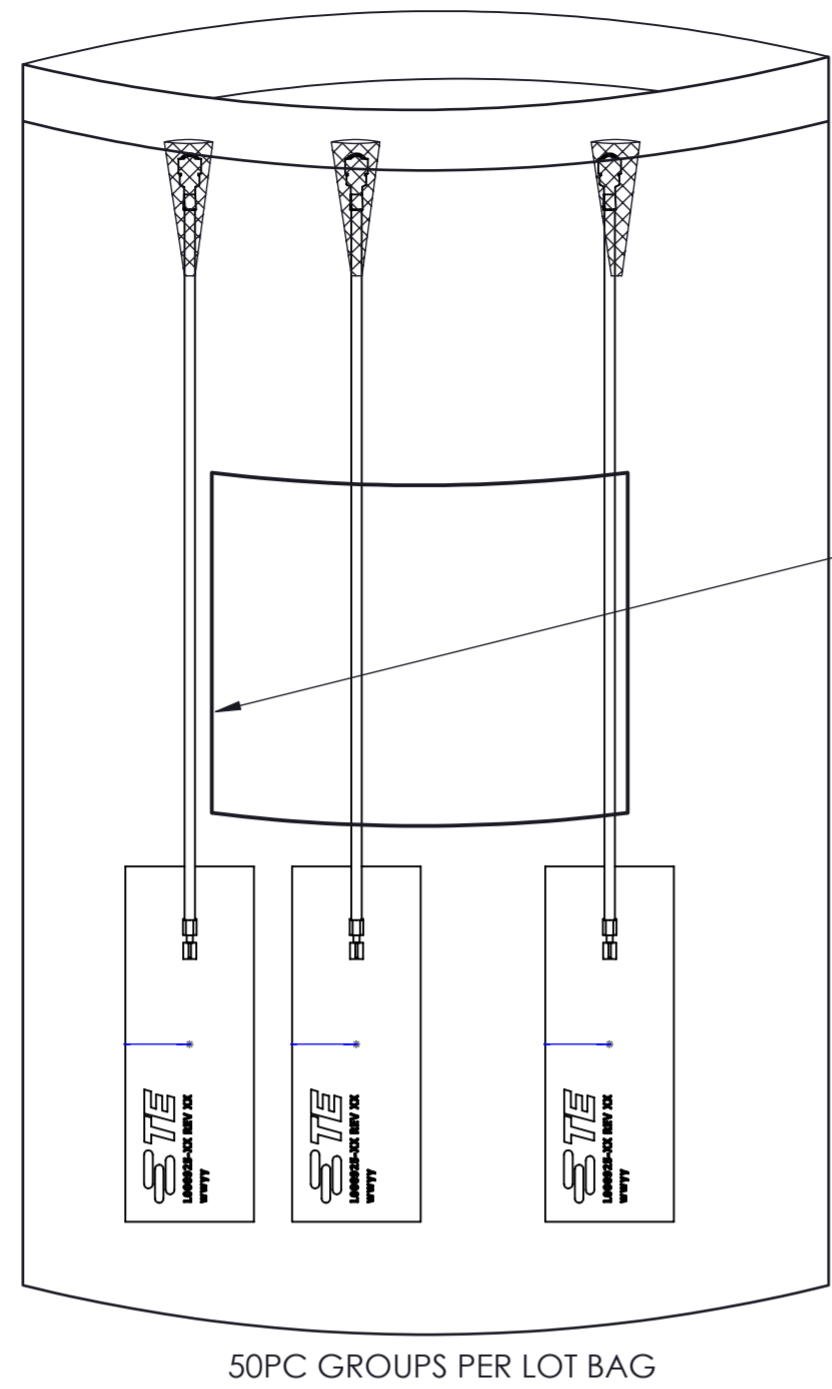
- ALL DIMENSIONS ARE IN MILLIMETERS [in].
- DIMENSIONS APPLY AFTER FINISHING.
- MANUFACTURE TO BE COMPLIANT WITH EU RoHS DIRECTIVE, USE MATERIALS THAT DO NOT CONTAIN REACH SUBSTANCES OF VERY HIGH CONCERN >1000ppm, AND USE DRC CONFLICT-FREE SOURCED MATERIALS.
- ANTENNA: FLEXIBLE FPC TYPE:
  - FREQ: 430MHz - 435MHz
  - VSWR: 2.4 MAX
  - LINEAR POLARIZATION
  - 1/2 WAVE TYPE
- CABLE:
  - TYPE: COAX Ø1.13mmBLACK
  - IMPEDANCE: 50Ω
  - MIN BEND: R4.5mm
- INTERFACE: IPEX MHF1 OR EQUIVILANT
  - MAX INTERCONNECT: 30
- ADHESIVE SPLIT BACKED: 3M 467MP/200MP ACRYLIC
  - APPLY BETWEEN 10°C - 40°C
  - HIGH SURFACE ENERGY PLASTICS
  - SERVICE TEMP RANGE: -40°C - +75°C MAX
  - PREP/CLEAN USING ISOPROPYL ALCOHOL
- SEE SHEET 2 FOR PACKAGING DETAILS

TE PART NUMBER	CABLE LENGTH
L000926-05	50mm ± 1.5
L000926-10	100mm ± 1.5
L000926-15	150mm ± 2.0
L000926-20	200mm ± 2.0
L000926-25	250mm ± 2.5

THIS DRAWING IS A CONTROLLED DOCUMENT.		DWN	3/7/24	
		CHK	3/10/24	
		APVD	3/10/24	
		PRODUCT SPEC	108-61449	
		APPLICATION SPEC	-	
		WEIGHT	0.430 g	
		SIZE	A3	
		CAGE CODE	00779	
		DRAWING NO	C=L000925	
		RESTRICTED TO	-	
		SCALE	2:1	
		SHEET	1 OF 2	
		REV	A2	

DIMENSIONS: mm  
 TOLERANCES UNLESS OTHERWISE SPECIFIED:  
 0 PLC ± 4  
 1 PLC ± 3.0  
 2 PLC ± 2.00  
 3 PLC  
 4 PLC ANGLES ± 30°  
 MATERIAL FINISH  
 CUSTOMER DRAWING

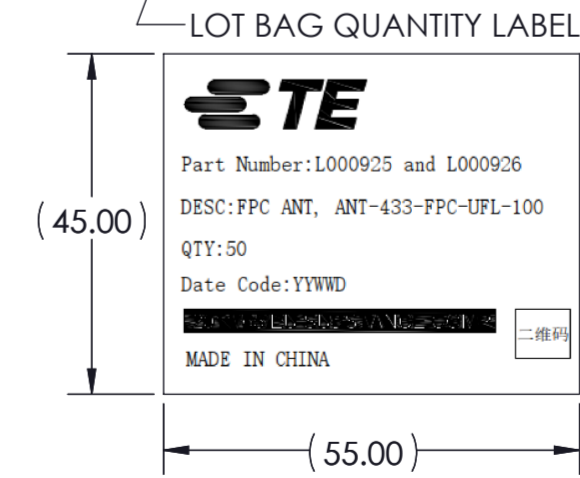
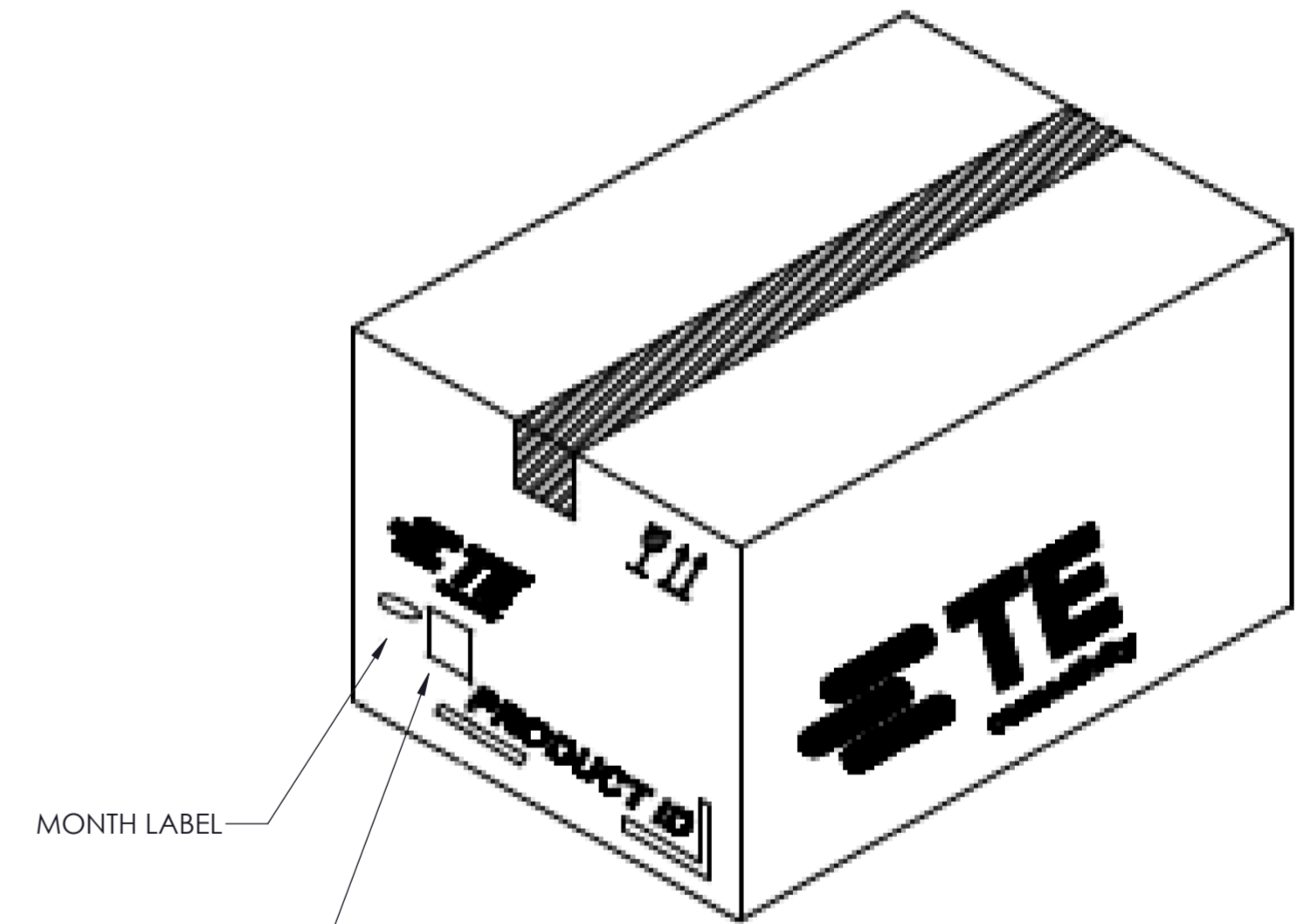
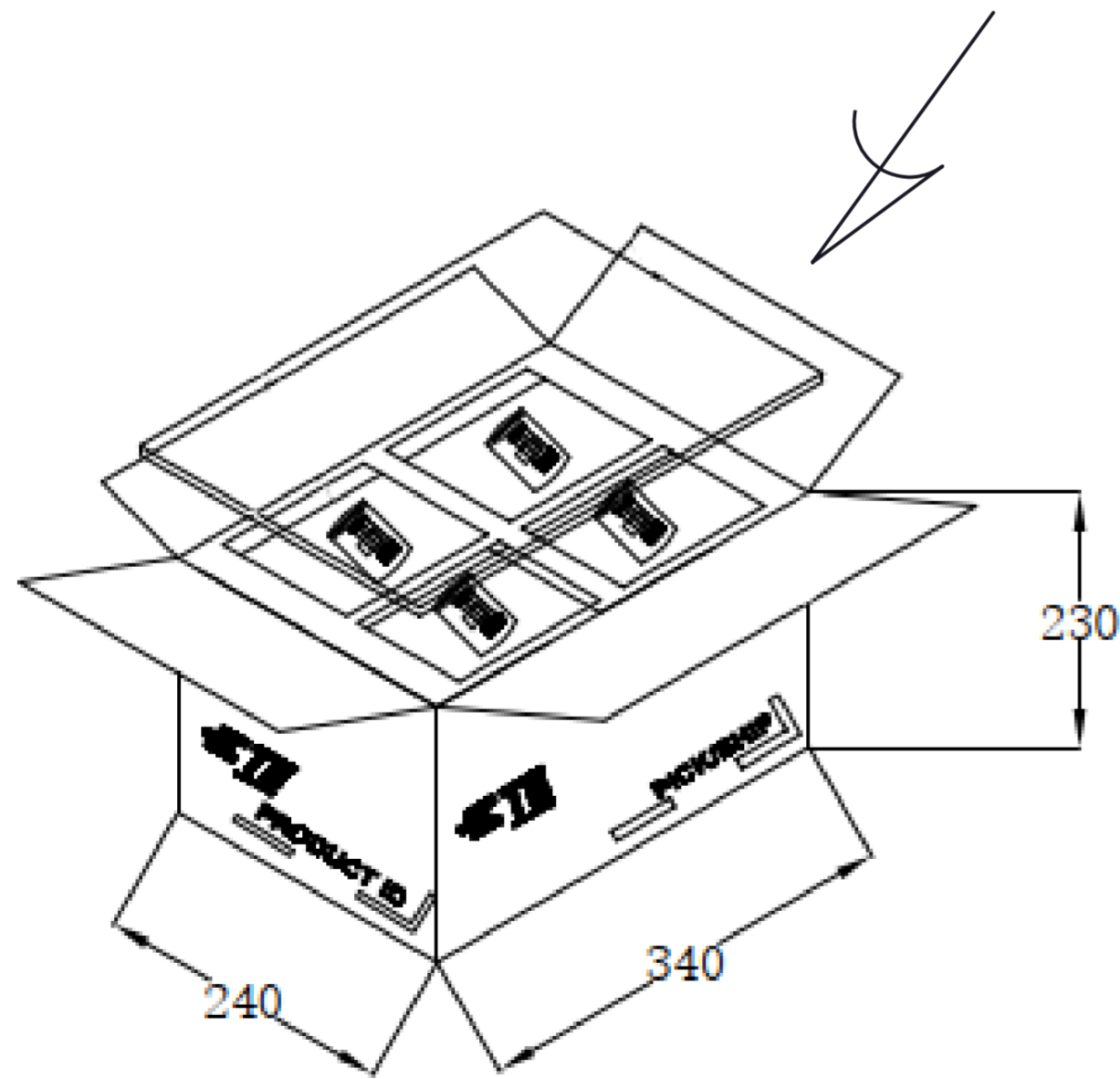
**PRELIMINARY**  
**TE Connectivity**  
**ANTENNA FLEX PCB 433MHz ADHESIVE BACK**  
**1.13mm COAX MHF1 CONNECTOR**



LOT BAG QUANTITY LABEL

PACKAGING NOTE, UNLESS OTHERWISE SPECIFIED:

1. ANTENNA PACKAGED 25PC/GROUP , 2 GROUPS/LOT BAG AND PLACED IN CARTONS OF 10 LOT BAGS [1000 PC TOTAL PER CARTON]. AS SHOWN
2. LOT PACKAGING AND CARTON CONFORMS TO IAW TEC-107-115 (SECTION 5, 6)
3. THIS REPRESENTATION OF PRODUCT PACKAGING IS SHOWN FOR REFERENCE ONLY AND DOES NOT CONSTITUTE A UNIQUE OR INDIVIDUAL REQUIREMENT FOR THIS PRODUCT.



DIMENSIONS:	
mm [inch]	
	1.6
ANGLES	± 30°
SURFACE TEXTURE	1.6

TOLERANCES UNLESS OTHERWISE SPECIFIED:	
0 PLC	± 4
1 PLC	± 3.0
2 PLC	± 2.00
3 PLC	±
4 PLC	±

DWN	JHAGER	3/7/24	3/7/24	MATERIAL	FINISH
CHK	IYOUSAF	3/10/24			TE Connectivity
APVD	HLIU	3/10/24			
NAME ANTENNA FLEX PCB 433MHz ADHESIVE BACK 1.13mm COAX MHF1 CONNECTOR					
SCALE	1:1	SIZE	A2	DRAWING NO	C-L000925
SHEET	2 OF 2	REV	A2		

THIS INFORMATION IS CONFIDENTIAL AND PROPRIETARY TO TYCO ELECTRONICS CORPORATION AND ITS WORLDWIDE SUBSIDIARIES AND AFFILIATES (TE). IT MAY NOT BE DISCLOSED TO ANYONE, OTHER THAN TE PERSONNEL, WITHOUT AUTHORIZATION FROM TE (www.TE.com).