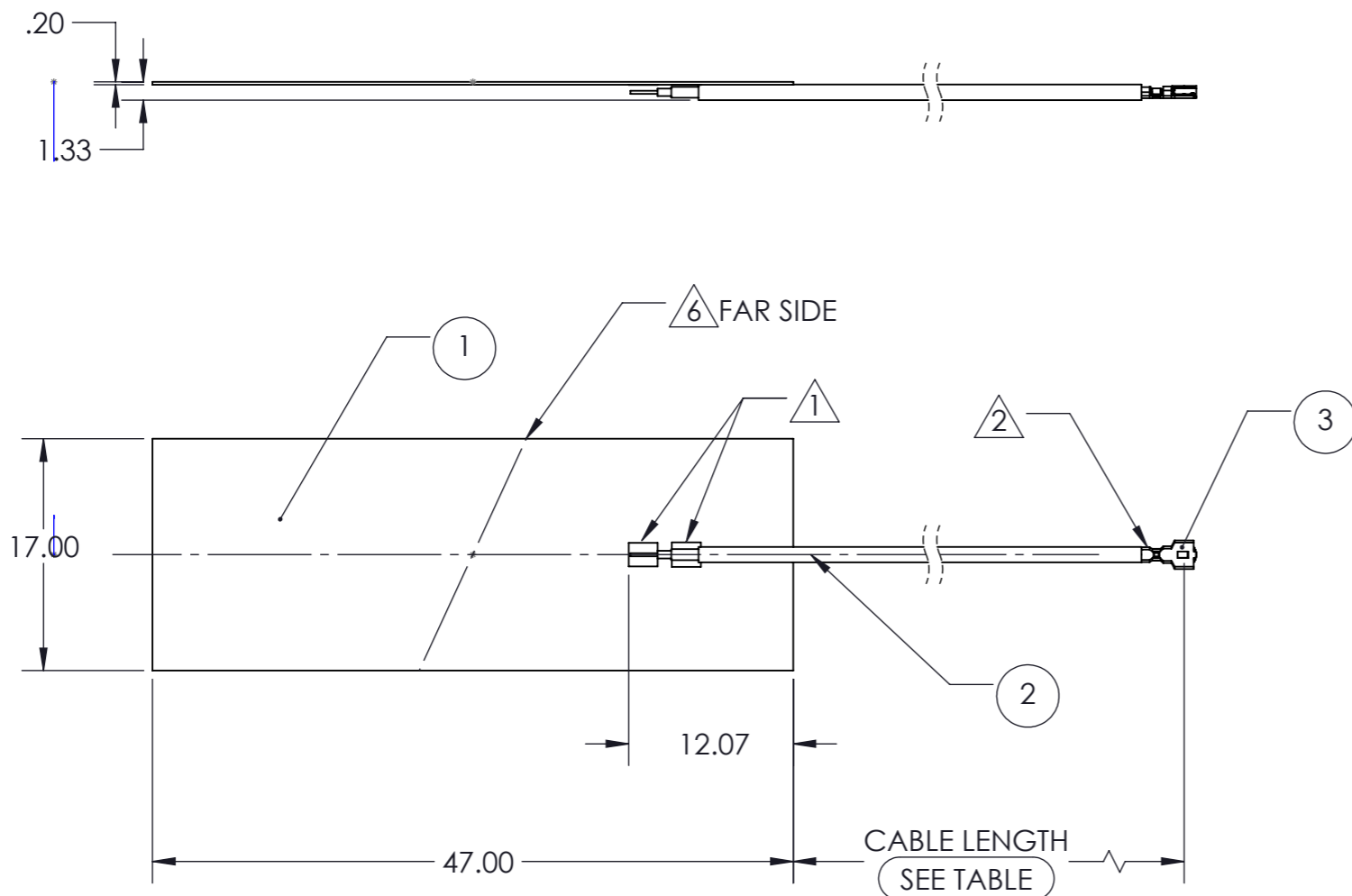


REV	DESCRIPTION	DATE	DWN	APVD
1	PRELIMINARY RELEASE	3/7/2024	JH	HLIU
A	PRODUCTION RELEASE	7/15/2024	JH	HLIU

DWG NO C-L000926  
THIS DRAWING IS A CONTROLLED DOCUMENT



1. ALL DIMENSIONS ARE IN MILLIMETERS [in].
2. DIMENSIONS APPLY AFTER FINISHING.
3. MANUFACTURE TO BE COMPLIANT WITH EU RoHS DIRECTIVE, USE MATERIALS THAT DO NOT CONTAIN REACH SUBSTANCES OF VERY HIGH CONCERN >1000ppm, AND USE DRC CONFLICT-FREE SOURCED MATERIALS.
4. ANTENNA: FLEXIBLE FPC TYPE:
  1. FREQ: 430MHz - 435MHz
  2. VSWR: 2.4 MAX
  3. LINEAR POLARIZATION
  4. 1/2 WAVE TYPE
5. CABLE:
  1. TYPE: COAX Ø1.13mmBLACK
  2. IMPEDANCE: 50Ω
  3. MIN BEND: R4.5mm
6. INTERFACE: IPEX MHF4L OR EQUIVILANT
  1. MAX INTERCONNECT: 30
7. ADHESIVE SPLIT BACKED: 3M 467MP/200MP ACRYLIC
  1. APPLY BETWEEN 10°C - 40°C
  2. HIGH SURFACE ENERGY PLASTICS
  3. SERVICE TEMP RANGE: -40°C - +75°C MAX
  4. PREP/CLEAN USING ISOPROPYL ALCOHOL

TE PART NUMBER	CABLE LENGTH
L000926-05	50mm ± 2.0
L000926-10	100mm ± 3.0
L000926-15	150mm ± 5.0
L000926-20	200mm ± 10.0
L000926-25	250mm ± 12.0

THIS DRAWING IS A CONTROLLED DOCUMENT.		DWN	JHAGER	3/7/24	<b>TE</b> TE Connectivity		
DIMENSIONS: mm		CHK	JHAGER	3/10/24			
TOLERANCES UNLESS OTHERWISE SPECIFIED:		APVD	HARRY C	3/10/24	<b>ANTENNA FLEX PCB 433MHz ADHESIVE BACK</b> <b>1.13mm COAX MHF4L CONNECTOR</b>		
0 PLC ± 4		PRODUCT SPEC	108-61449				
1 PLC ± 3.0		APPLICATION SPEC	-		SIZE	A3	RESTRICTED TO
2 PLC ± 2.00		WEIGHT	0.26	g	CAGE CODE	00779	DRAWING NO
3 PLC		CUSTOMER DRAWING		SCALE	2:1	SHEET	1 OF 1
4 PLC						REV	A
ANGLES ± 30'							
MATERIAL							
FINISH							