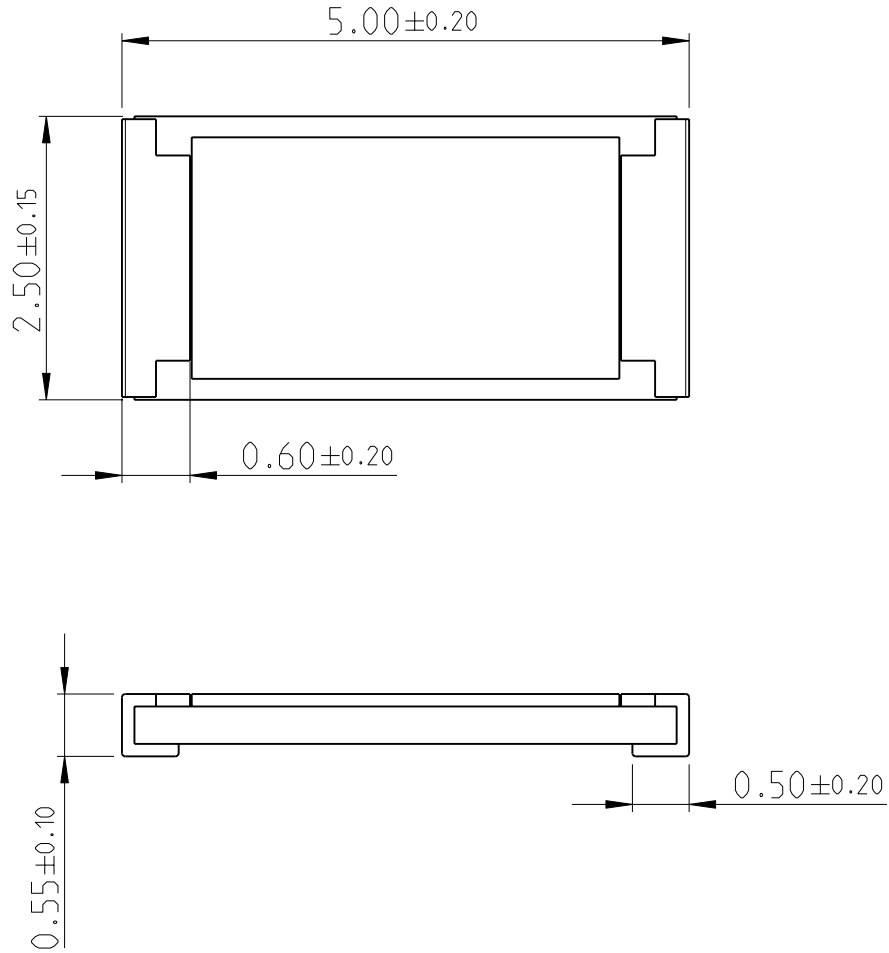
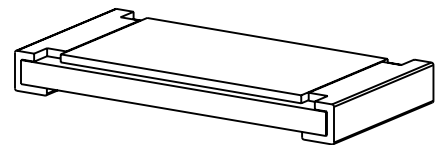


LOC	DIST	REVISIONS					
-	-	P	LTR	DESCRIPTION	DATE	DWN	APVD
		BA		NEW DRAWING	28JUN2012	KR	TN



FOR FURTHER INFORMATION SEE PRODUCT SPECIFICATION FOR CRGH SERIES

RoHS Compliant



20

RELEASED FOR PUBLICATION


ALL RIGHTS RESERVED.

BY -

© COPYRIGHT 20

THIS DRAWING IS UNPUBLISHED.

©

DIMENSIONS:	DWN	28JUN2012	MATERIAL	FINISH		
mm	RAGHAVENDRA K		-	-		
TOLERANCES UNLESS OTHERWISE SPECIFIED:	CHK	28JUN2012	 TE Connectivity			
	ALLAN P					
0 PLC ±	APVD	28JUN2012	NAME SMD POWER RESISTORS - TYPE CRGH2010 SERIES			
1 PLC ±0.5	TONY N					
2 PLC ±0.13	PRODUCT SPEC		SIZE	CAGE CODE	DRAWING NO	RESTRICTED TO
3 PLC ±0.013	-		A 4	00779	©-1879522	-
4 PLC ±0.0001	APPLICATION SPEC		CUSTOMER DRAWING			
ANGLES ±	-		SCALE	SHEET	OF	REV
	WEIGHT	-	40:1	1	1	BA

