

4

3

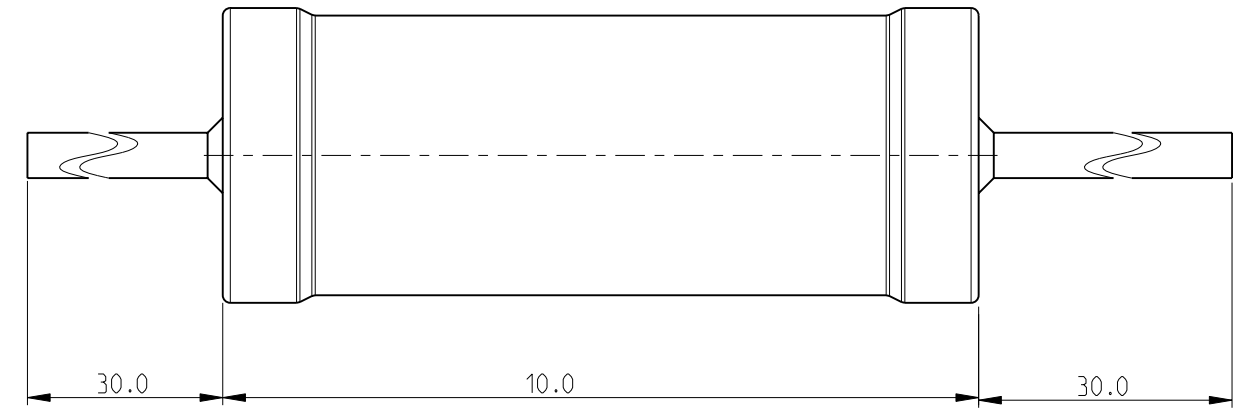
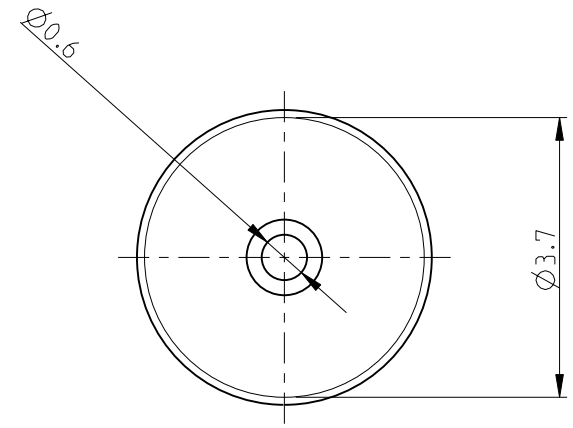
2

1

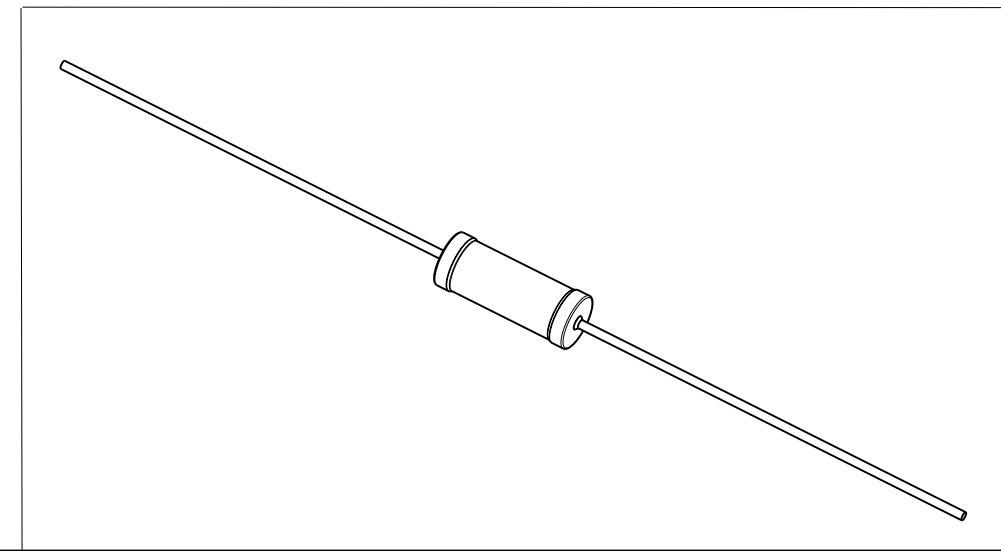
THIS DRAWING IS UNPUBLISHED. RELEASED FOR PUBLICATION 2009  
 © COPYRIGHT 2009 BY TYCO ELECTRONICS CORPORATION. ALL RIGHTS RESERVED.

| LOC | DIST | REVISIONS   |             |            |         |
|-----|------|-------------|-------------|------------|---------|
| P   | LTR  | DESCRIPTION | DATE        | DWN        | APVD    |
| E   | B    | BA          | NEW RELEASE | 15JUNE2010 | PT St.P |

FOR FURTHER INFORMATION SEE DATA SHEET FOR  
 SERIES HOLCO, AXIAL LEADED PRECISION RESISTORS



RoHS Compliant



|   |  |                               |   |  |
|---|--|-------------------------------|---|--|
| <small>THIS DRAWING IS A CONTROLLED DOCUMENT FOR TYCO ELECTRONICS CORPORATION<br/>         IT IS SUBJECT TO CHANGE AND THE CONTROLLING ENGINEERING ORGANIZATION<br/>         SHOULD BE CONTACTED FOR THE LATEST REVISION.</small> |  | DWN 15JUNE2010<br>PARUSURAM.T | Tyco Electronics Corporation<br>Dorcan, Swindon, SN3 5HH        |  |
| DIMENSIONS:<br>mm   |  | CHK 15JUNE2010<br>ALLAN.P     | NAME<br>AXIAL LEADED PRECISION RESISTORS<br>SERIES HOLCO H4P    |  |
|   |  | APVD 15JUNE2010<br>STEPHEN.P  | PRODUCT SPEC<br>-   |  |
| TOLERANCES UNLESS OTHERWISE SPECIFIED:<br>0 PLC $\pm 0.2$<br>1 PLC $\pm 0.1$<br>2 PLC $\pm -$<br>3 PLC $\pm -$<br>4 PLC $\pm -$<br>ANGLES $\pm 5^\circ$   |  | APPLICATION SPEC<br>-         | SIZE CAGE CODE DRAWING NO RESTRICTED TO<br>A3 00779 C-1879627 - |  |
| MATERIAL - FINISH -   |  | WEIGHT -                      | CUSTOMER DRAWING SCALE 10:1 SHEET 1 OF 1 REV BA                 |  |