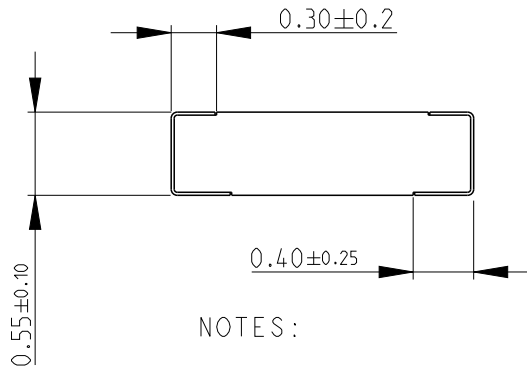
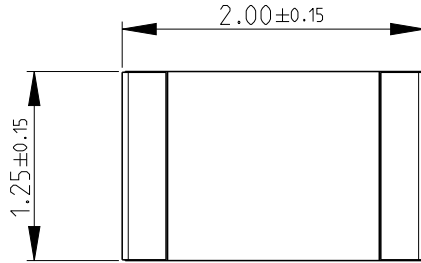


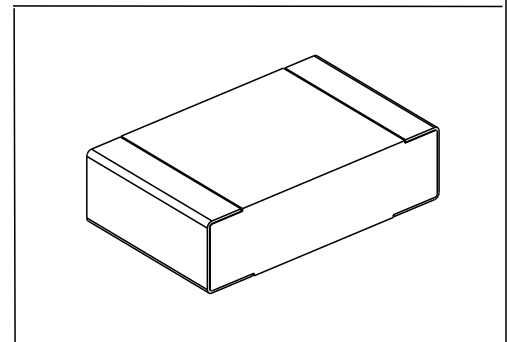
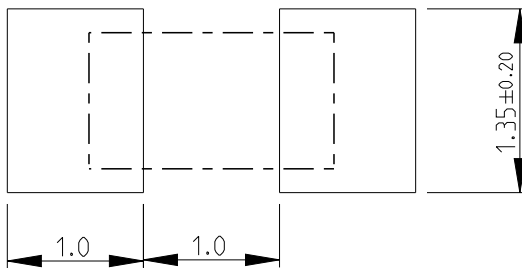
| REVISIONS | | | | | |
|-----------|-----|---------------|-----------|-----|------|
| P | LTR | DESCRIPTION | DATE | DWN | APVD |
| | BC1 | ECR-15-002767 | 23FEB2015 | KR | TN |



NOTES:

- 1) FOR FURTHER INFORMATION SEE DATA SHEET FOR RN73 SERIES-HIGH PRECISION RESISTORS (SMD)
- 2) 250 PER REEL PACKING SPEC NO LONGER AVAILABLE

RECOMMENDED LAND PATTERN



2010

RELEASED FOR PUBLICATION

ALL RIGHTS RESERVED.

THIS DRAWING IS UNPUBLISHED.

BY -

© COPYRIGHT 2010

| | | | | | | | |
|--|--|------------------|-----------|---|-----------|------------|---------------|
| DIMENSIONS: | | DWN | 13NOV2010 | MATERIAL | - | FINISH | - |
| mm | | PARUSURAM.T | | TE Connectivity | | | |
| TOLERANCES UNLESS OTHERWISE SPECIFIED: | | CHK | 10NOV2010 | | | | |
| 0 PLC ±0.2 | | ALLAN.P | | NAME HIGH PRECISION RESISTORS (SMD) SERIES RN73 2A | | | |
| 1 PLC ±0.1 | | APVD | 10NOV2010 | | | | |
| 2 PLC ± | | STEPHEN.P | | SIZE | CAGE CODE | DRAWING NO | RESTRICTED TO |
| 3 PLC ± | | PRODUCT SPEC | - | A 4 | 00779 | ©=1676306 | - |
| 4 PLC ± | | APPLICATION SPEC | - | SCALE 20:1 SHEET 1 OF 1 REV BC1 | | | |
| ANGLES ±5° | | WEIGHT | - | | | | |
| | | Customer Drawing | | | | | |