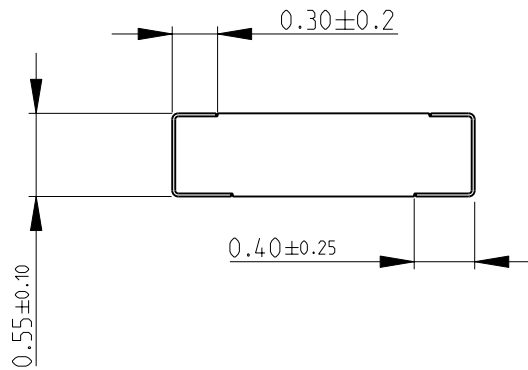
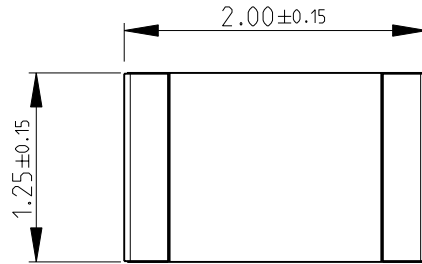
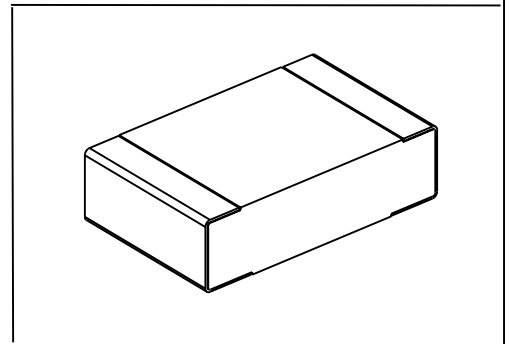
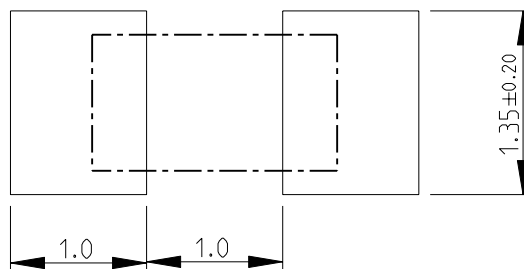


LOC	DIST	REVISIONS					
E	B	P	LTR	DESCRIPTION	DATE	DWN	APVD
			BA	NEW RELEASE	24SEP2010	PT	St.P

FOR FURTHER INFORMATION SEE DATA SHEET FOR  
RN73 SERIES-HIGH PRECISION RESISTORS (SMD)



RECOMMENDED LAND PATTERN



2010

RELEASED FOR PUBLICATION

THIS DRAWING IS UNPUBLISHED.

BY TYCO ELECTRONICS CORPORATION. ALL RIGHTS RESERVED.

© COPYRIGHT 2010

DIMENSIONS: mm	DWN	24SEP2010	MATERIAL	-	FINISH	-		
	PARUSURAM.T							
TOLERANCES UNLESS OTHERWISE SPECIFIED:	CHK	24SEP2010	Tyco Electronics Corporation Dorcan, Swindon, SN3 5HH					
	ALLAN.P							
0 PLC ±0.2	APVD	24SEP2010	NAME HIGH PRECISION RESISTORS (SMD) SERIES RN73 2A					
1 PLC ±0.1	STEPHEN.P							
2 PLC ±-	PRODUCT SPEC	-	SIZE	CAGE CODE	DRAWING NO	RESTRICTED TO		
3 PLC ±-	APPLICATION SPEC	-	A 4	00779	©- 1676399	-		
4 PLC ±-	WEIGHT	-	CUSTOMER DRAWING			SCALE	20:1	
ANGLES ±5°			SHEET			1	OF	1
			REV			BA		