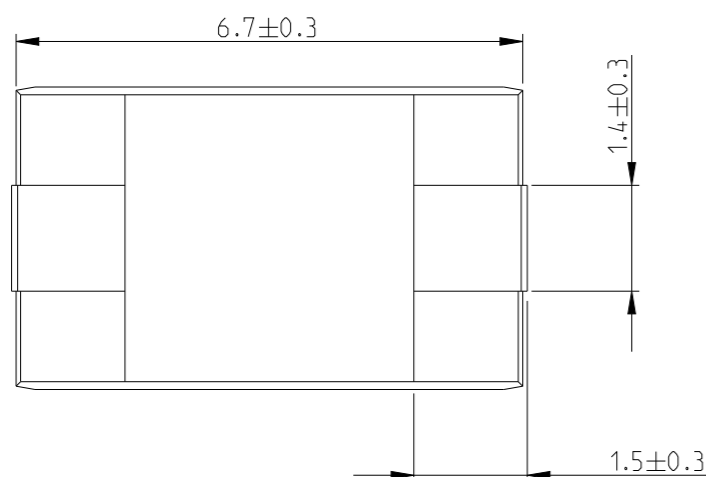
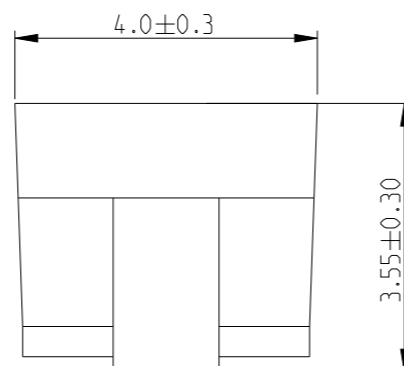
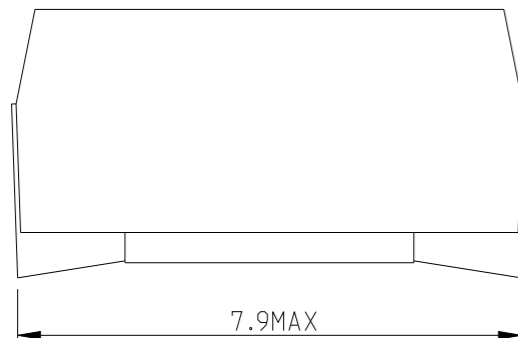
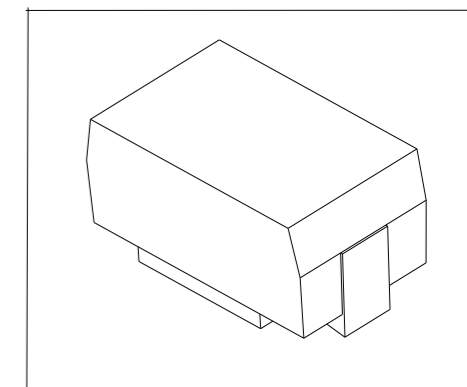
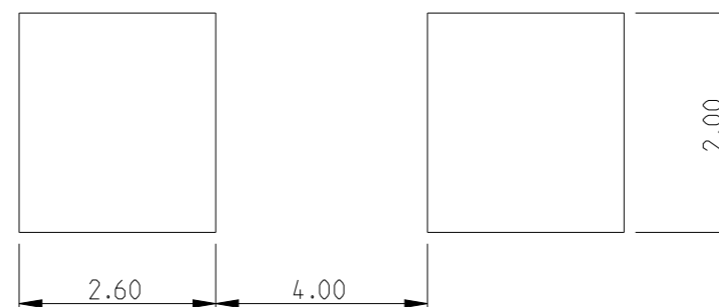


P	LTR	DESCRIPTION	DATE	DWN	APVD
	BA	INITIAL DRAWING RELEASE	02NOV2023	DM	AP

FOR FURTHER INFORMATION SEE DATA SHEET FOR SERIES SM - SMD MOULDED POWER RESISTOR



RECOMMENDED LAND PATTERN



THIS DRAWING IS A CONTROLLED DOCUMENT.

DWN DHEERAJ M 02NOV2023

CHK TRACY G 02NOV2023

APVD ALLAN P 02NOV2023

PRODUCT SPEC -

APPLICATION SPEC -

WEIGHT -

CUSTOMER DRAWING



NAME SMD MOULDED POWER RESISTORS
TYPE SMF2 SERIES

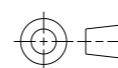
SIZE CAGE CODE DRAWING NO RESTRICTED TO

A3 00779 C-1879011

SCALE 10:1 SHEET 1 OF 2 REV BA

DIMENSIONS:

mm



TOLERANCES UNLESS OTHERWISE SPECIFIED:

0 PLC	±0.2
1 PLC	±0.1
2 PLC	±
3 PLC	±
4 PLC	±
ANGLES	±5°
FINISH	-
	-

MATERIAL

-

REVISIONS

P	LTR	DESCRIPTION	DATE	DWN	APVD
-		SEE SHEET 1	-	-	-

SCHEDULE

TCPN	CATALOGUE NUMBER	PART DESCRIPTION	PART STATUS
1879011-1	SMF2220RJT	SMF2 220R 5%	PRODUCTION
1879011-3	SMF2270RJT	SMF2 270R 5%	PRODUCTION
1879011-5	SMF2330RJT	SMF2 330R 5%	PRODUCTION
1879011-7	SMF2390RJT	SMF2 390R 5%	PRODUCTION
1879011-9	SMF2470RJT	SMF2 470R 5%	PRODUCTION
1-1879011-1	SMF2560RJT	SMF2 560R 5%	PRODUCTION
1-1879011-3	SMF2680RJT	SMF2 680R 5%	PRODUCTION
1-1879011-5	SMF2820RJT	SMF2 820R 5%	PRODUCTION
1-1879011-7	SMF21K0JT	SMF2 1K0 5%	PRODUCTION
1-1879011-9	SMF21K2JT	SMF2 1K2 5%	PRODUCTION
2-1879011-1	SMF21K5JT	SMF2 1K5 5%	PRODUCTION
2-1879011-3	SMF21K8JT	SMF2 1K8 5%	PRODUCTION
2-1879011-5	SMF22K2JT	SMF2 2K2 5%	PRODUCTION
2-1879011-7	SMF22K7JT	SMF2 2K7 5%	PRODUCTION
2-1879011-9	SMF23K3JT	SMF2 3K3 5%	PRODUCTION
3-1879011-1	SMF23K9JT	SMF2 3K9 5%	PRODUCTION
3-1879011-3	SMF24K7JT	SMF2 4K7 5%	PRODUCTION
3-1879011-5	SMF25K6JT	SMF2 5K6 5%	PRODUCTION
3-1879011-7	SMF26K8JT	SMF2 6K8 5%	PRODUCTION
3-1879011-9	SMF28K2JT	SMF2 8K2 5%	PRODUCTION
4-1879011-1	SMF210KJT	SMF2 10K 5%	PRODUCTION
4-1879011-3	SMF212KJT	SMF2 12K 5%	PRODUCTION
4-1879011-5	SMF215KJT	SMF2 15K 5%	PRODUCTION
4-1879011-7	SMF218KJT	SMF2 18K 5%	PRODUCTION
4-1879011-9	SMF222KJT	SMF2 22K 5%	PRODUCTION

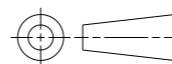
SCHEDULE

TCPN	CATALOGUE NUMBER	PART DESCRIPTION	PART STATUS
5-1879011-1	SMF227KJT	SMF2 27K 5%	PRODUCTION
5-1879011-3	SMF233KJT	SMF2 33K 5%	PRODUCTION
5-1879011-5	SMF239KJT	SMF2 39K 5%	PRODUCTION
5-1879011-7	SMF247KJT	SMF2 47K 5%	PRODUCTION
5-1879011-9	SMF256KJT	SMF2 56K 5%	PRODUCTION
6-1879011-1	SMF268KJT	SMF2 68K 5%	PRODUCTION
6-1879011-3	SMF282KJT	SMF2 82K 5%	PRODUCTION
6-1879011-5	SMF2100KJT	SMF2 100K 5%	PRODUCTION
6-1879011-7	SMF2120KJT	SMF2 120K 5%	PRODUCTION
6-1879011-9	SMF2150KJT	SMF2 150K 5%	PRODUCTION
7-1879011-1	SMF2180KJT	SMF2 180K 5%	PRODUCTION
7-1879011-3	SMF2220KJT	SMF2 220K 5%	PRODUCTION
7-1879011-5	SMF2270KJT	SMF2 270K 5%	PRODUCTION
7-1879011-7	SMF2330KJT	SMF2 330K 5%	PRODUCTION
7-1879011-9	SMF2390KJT	SMF2 390K 5%	PRODUCTION
8-1879011-1	SMF2470KJT	SMF2 470K 5%	PRODUCTION
8-1879011-3	SMF2560KJT	SMF2 560K 5%	PRODUCTION
8-1879011-5	SMF2680KJT	SMF2 680K 5%	PRODUCTION
8-1879011-7	SMF2820KJT	SMF2 820K 5%	PRODUCTION
8-1879011-9	SMF21M0JT	SMF2 1M0 5%	PRODUCTION
9-1879011-1	SMF21K2FT	SMF2 1K2 1%	PRODUCTION
9-1879011-2	SMF2560RFT	SMF2 560R 1%	PRODUCTION

THIS DRAWING IS A CONTROLLED DOCUMENT.

DIMENSIONS:

mm



TOLERANCES UNLESS OTHERWISE SPECIFIED:

0 PLC	±0.2
1 PLC	±0.1
2 PLC	±
3 PLC	±
4 PLC	±
ANGLES	±5°

MATERIAL

-

FINISH

-

DWN DHEERAJ M 02NOV2023

CHK TRACY G 02NOV2023

APVD ALLAN P 02NOV2023

PRODUCT SPEC

APPLICATION SPEC

WEIGHT

-

CUSTOMER DRAWING



TE Connectivity

NAME SMD MOULDED POWER RESISTORS TYPE SMF2 SERIES

SIZE CAGE CODE DRAWING NO RESTRICTED TO

A3 00779 C-1879011

SCALE 10:1 SHEET 2 OF 2 REV BA