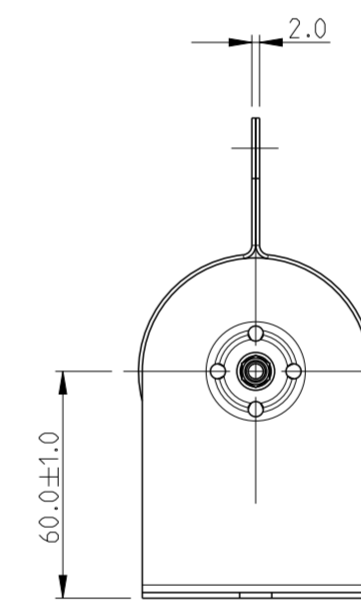
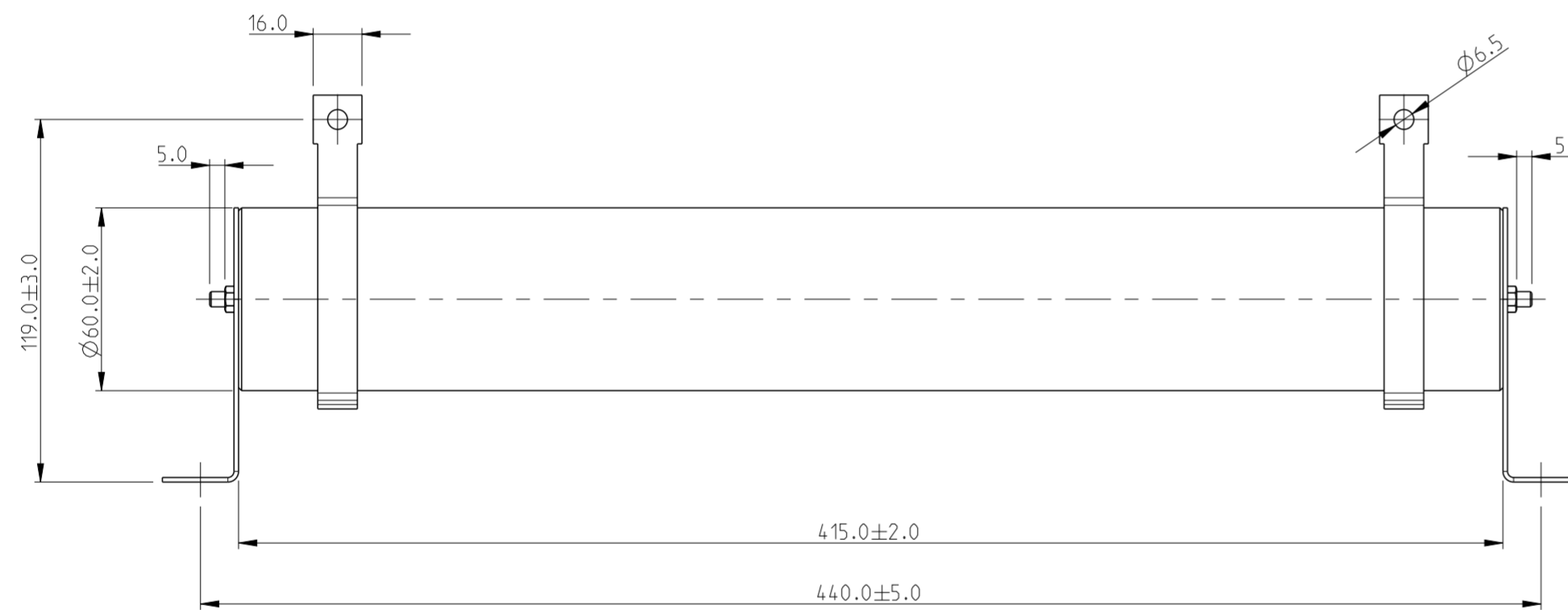
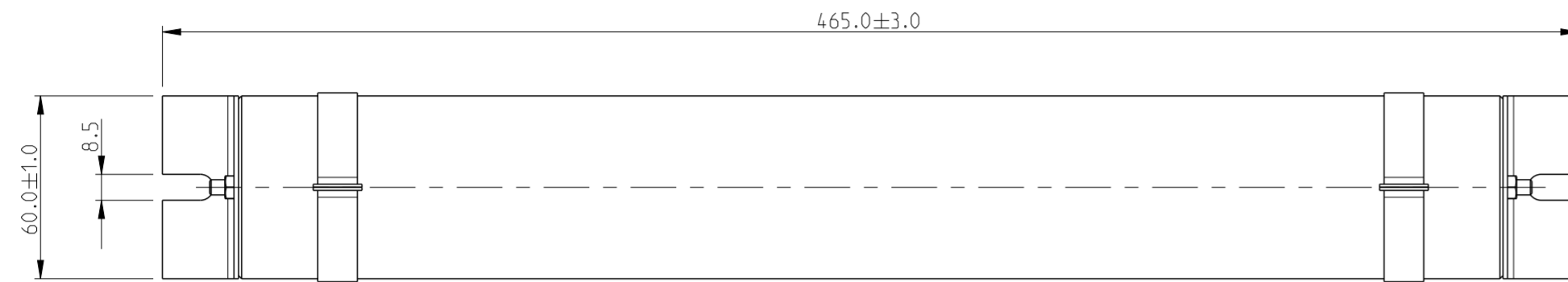


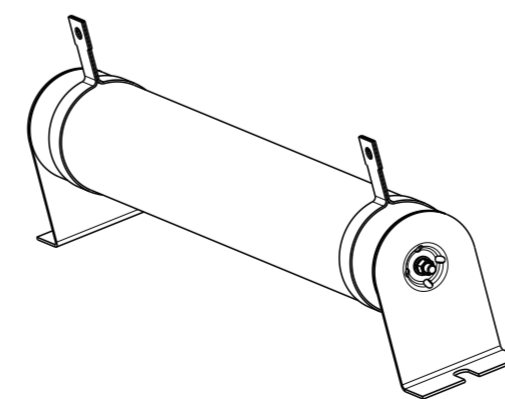
THIS DRAWING IS UNPUBLISHED. RELEASED FOR PUBLICATION 2009
 © COPYRIGHT 2009 ALL RIGHTS RESERVED.

LOC		DIST		REVISIONS			
P	LTR	DESCRIPTION		DATE	DWN	APVD	
	BB	INITIAL RELEASE		19NOV2015	KR	TN	




NOTES:

1. RATED POWER: 1500W
2. TEMPERATURE COEFFICIENT OF RESISTANCE: $\lt; \pm 400\text{ppm}/^\circ\text{C}$
3. INSULATION RESISTANCE DC 500V - 20 M Ohms MIN.
4. FAULT CONDITION: 11kw FOR 3 SECONDS
5. FOR FURTHER INFORMATION SEE DATASHEET FOR TE SERIES HIGH POWER WIRE WOUND RESISTOR
6. FOR SPECIFIC PART NUMBER, RESISTANCE VALUE AND TOLERANCE PLEASE REFER TO SMART PART SEARCH



RoHS Compliant

THIS DRAWING IS A CONTROLLED DOCUMENT.		DWN RAGHAVENDRA K 16NOV2015	 TE Connectivity	
DIMENSIONS: mm		CHK ALLAN P 16NOV2015		
TOLERANCES UNLESS OTHERWISE SPECIFIED:		APVD TONY N 16NOV2015	NAME HIGH POWER WIRE WOUND RESISTOR	
0 PLC ±0.5		PRODUCT SPEC	TE 1500 SERIES	
1 PLC ±0.1		APPLICATION SPEC	SIZE	CAGE CODE
2 PLC ±0.05		WEIGHT	A2	00779
3 PLC ±		Customer Drawing	DRAWING NO	RESTRICTED TO
4 PLC ±		SCALE	C-1879455	-
ANGLES ±0.5°		1:2	SHEET	1 OF 1
FINISH		REV	BB	