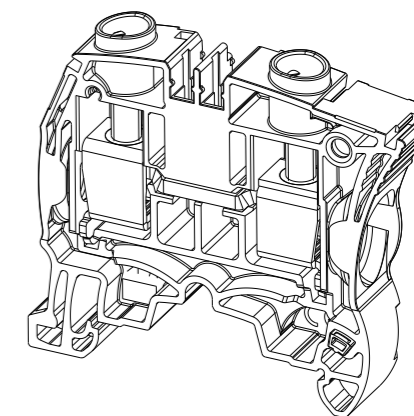
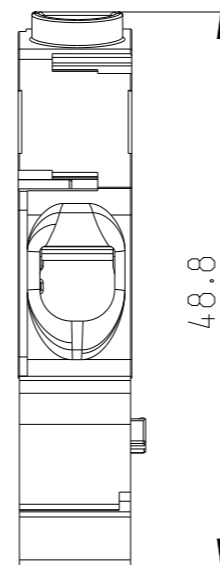
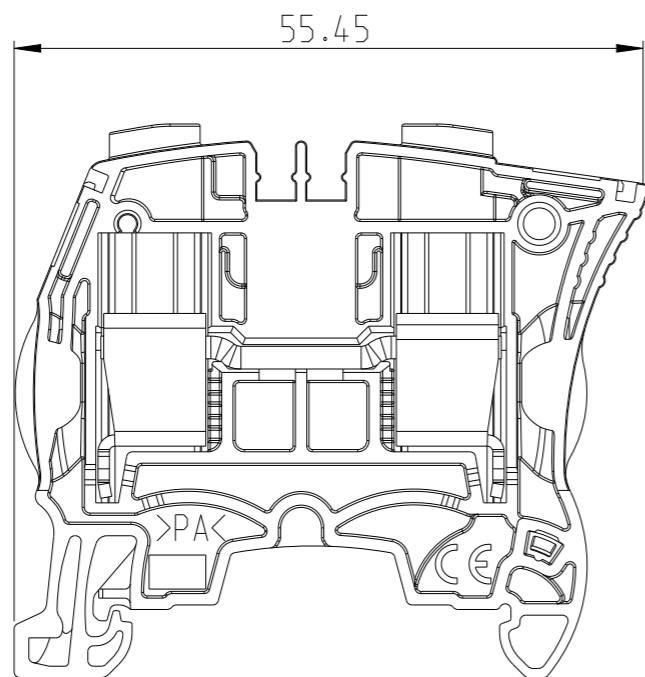
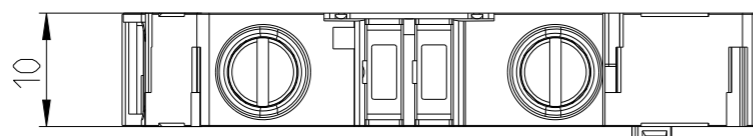



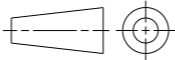
REVISIONS

P	LTR	DESCRIPTION	DATE	DWN	APVD
	A1	First released	14 JAN2025	VR	VR



SCALE 1:1



THIS DRAWING IS A CONTROLLED DOCUMENT.		Dwn: Jan-25 03:07:25 PM Villard, Romain		 TE Connectivity	
DIMENSIONS: mm		TOLERANCES UNLESS OTHERWISE SPECIFIED:			
		0 PLC	±	NAME ZS16	
		1 PLC	±0.1	1SNK510010R0000	
MATERIAL		2 PLC	±0.01	SIZE	
		3 PLC	±0.001	A3	
FINISH		4 PLC	±0.0001	CAGE CODE	
		ANGLES	±	00779	
-		-		DRAWING NO	
-		-		C=1SNP081416-0100	
		WEIGHT		RESTRICTED TO	
		17.615		-	
Customer Drawing				SCALE	3:2
				SHEET	1 OF 1
				REV	A