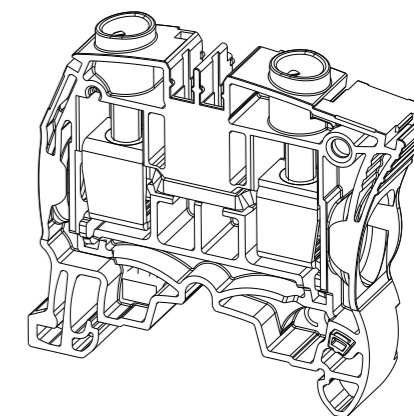
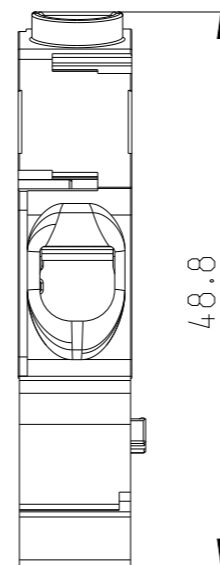
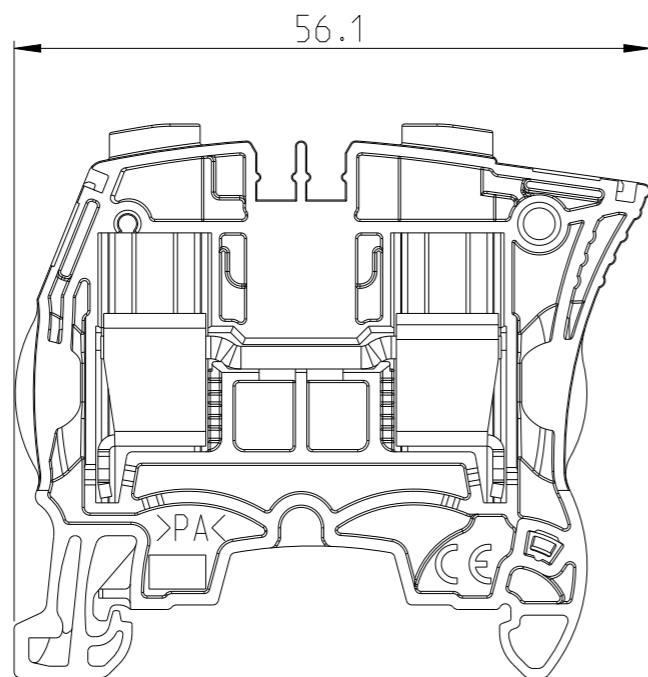
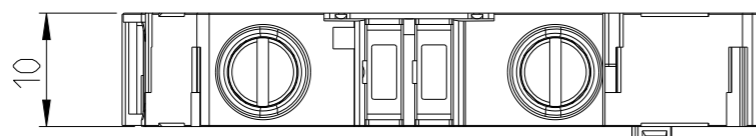



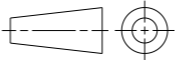
REVISIONS

P	LTR	DESCRIPTION	DATE	DWN	APVD
	A1	First released	14 JAN2025	VR	VR



SCALE 1:1



THIS DRAWING IS A CONTROLLED DOCUMENT.		14 Jan-25 03:06:48 PM Villard, Romain		 TE Connectivity	
DIMENSIONS: mm		TOLERANCES UNLESS OTHERWISE SPECIFIED:			
		0 PLC ± 1 PLC ±0.1 2 PLC ±0.01 3 PLC ±0.001 4 PLC ±0.0001 ANGLES ±		NAME ZS16 1SNK510020R0000	
MATERIAL		FINISH		PRODUCT SPEC	
-		-		-	
				APPLICATION SPEC	
				-	
				WEIGHT	
				17.615	
				SIZE	
				A3	
				CAGE CODE	
				00779	
				DRAWING NO	
				©-1SNP081416-0101	
				RESTRICTED TO	
				-	
				SCALE	
				3:2	
				SHEET	
				1 OF 1	
				REV	
				A	