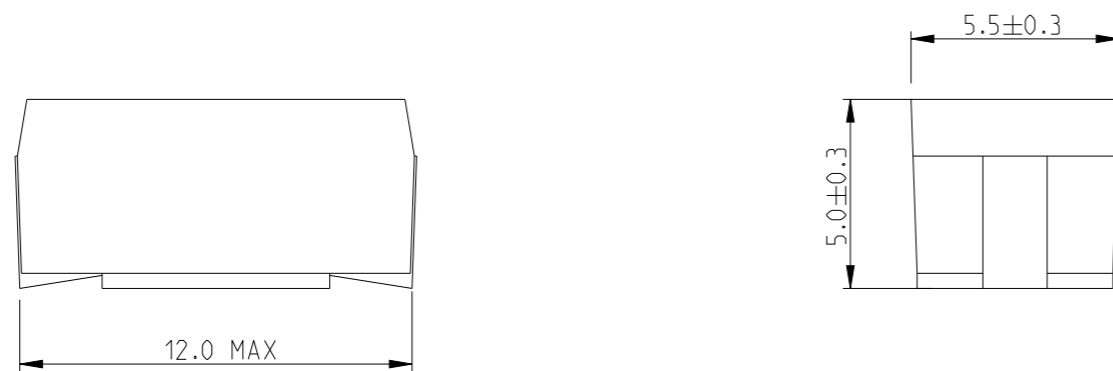


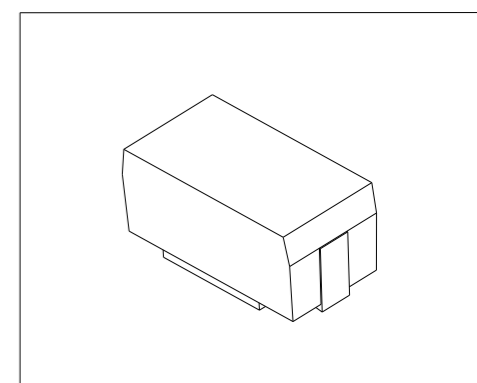
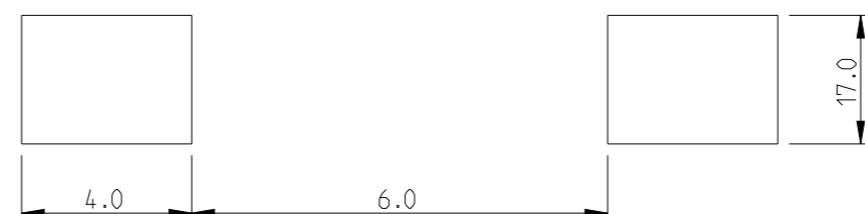
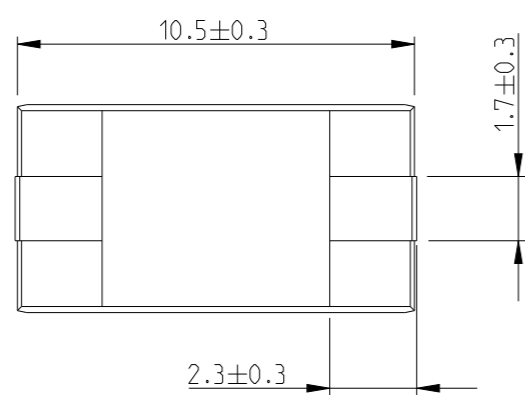
REVISIONS

P	LTR	DESCRIPTION	DATE	DWN	APVD
	BA	INITIAL RELEASE	25JAN2022	VK	AP
	BA1	SCHEDULE ADDED TO DRAWING	02NOV2023	DM	AP



FOR FURTHER INFORMATION SEE DATA SHEET FOR SERIES SM - SMD MOULDED POWER RESISTOR

RECOMMENDED LAND PATTERN



THIS DRAWING IS A CONTROLLED DOCUMENT.		DWN VINAYAK.K 25JAN2022															
DIMENSIONS: mm		CHK ALLAN.P 25JAN2022															
TOLERANCES UNLESS OTHERWISE SPECIFIED:		APVD ALLAN.P 25JAN2022	NAME SMD MOULDED POWER RESISTORS TYPE SMF3 SERIES														
<table border="0"> <tr> <td>0 PLC</td> <td>±0.2</td> </tr> <tr> <td>1 PLC</td> <td>±0.1</td> </tr> <tr> <td>2 PLC</td> <td>±</td> </tr> <tr> <td>3 PLC</td> <td>±</td> </tr> <tr> <td>4 PLC</td> <td>±</td> </tr> <tr> <td>ANGLES</td> <td>±5°</td> </tr> </table>		0 PLC	±0.2	1 PLC	±0.1	2 PLC	±	3 PLC	±	4 PLC	±	ANGLES	±5°	PRODUCT SPEC -	RESTRICTED TO -		
0 PLC	±0.2																
1 PLC	±0.1																
2 PLC	±																
3 PLC	±																
4 PLC	±																
ANGLES	±5°																
MATERIAL -		APPLICATION SPEC -	SIZE A3	CAGE CODE 00779	DRAWING NO C-1879022												
FINISH -		WEIGHT -	SCALE 5:1														
		CUSTOMER DRAWING		SHEET 1 OF 2	REV BA1												

REVISIONS

P	LTR	DESCRIPTION	DATE	DWN	APVD
	-	SEE SHEET 1	-	-	-

SCHEDULE

TCPN	CATALOGUE NUMBER	PART DESCRIPTION	PART STATUS
1879022-1	SMF3330RJT	SMF3 330R 5%	PRODUCTION
1879022-3	SMF3390RJT	SMF3 390R 5%	PRODUCTION
1879022-5	SMF3470RJT	SMF3 470R 5%	PRODUCTION
1879022-7	SMF3560RJT	SMF3 560R 5%	PRODUCTION
1879022-9	SMF3680RJT	SMF3 680R 5%	PRODUCTION
1-1879022-1	SMF3820RJT	SMF3 820R 5%	PRODUCTION
1-1879022-3	SMF31K0JT	SMF3 1K0 5%	PRODUCTION
1-1879022-5	SMF31K2JT	SMF3 1K2 5%	PRODUCTION
1-1879022-7	SMF31K5JT	SMF3 1K5 5%	PRODUCTION
1-1879022-9	SMF31K8JT	SMF3 1K8 5%	PRODUCTION
2-1879022-1	SMF32K2JT	SMF3 2K2 5%	PRODUCTION
2-1879022-3	SMF32K7JT	SMF3 2K7 5%	PRODUCTION
2-1879022-5	SMF33K3JT	SMF3 3K3 5%	PRODUCTION
2-1879022-7	SMF33K9JT	SMF3 3K9 5%	PRODUCTION
2-1879022-9	SMF34K7JT	SMF3 4K7 5%	PRODUCTION
3-1879022-1	SMF35K6JT	SMF3 5K6 5%	PRODUCTION
3-1879022-3	SMF36K8JT	SMF3 6K8 5%	PRODUCTION
3-1879022-5	SMF38K2JT	SMF3 8K2 5%	PRODUCTION
3-1879022-7	SMF310KJT	SMF3 10K 5%	PRODUCTION
3-1879022-9	SMF312KJT	SMF3 12K 5%	PRODUCTION
4-1879022-1	SMF315KJT	SMF3 15K 5%	PRODUCTION
4-1879022-3	SMF318KJT	SMF3 18K 5%	PRODUCTION
4-1879022-5	SMF322KJT	SMF3 22K 5%	PRODUCTION
4-1879022-7	SMF327KJT	SMF3 27K 5%	PRODUCTION

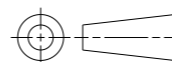
SCHEDULE

TCPN	CATALOGUE NUMBER	PART DESCRIPTION	PART STATUS
4-1879022-9	SMF333KJT	SMF3 33K 5%	PRODUCTION
5-1879022-1	SMF339KJT	SMF3 39K 5%	PRODUCTION
5-1879022-3	SMF347KJT	SMF3 47K 5%	PRODUCTION
5-1879022-5	SMF356KJT	SMF3 56K 5%	PRODUCTION
5-1879022-7	SMF368KJT	SMF3 68K 5%	PRODUCTION
5-1879022-9	SMF382KJT	SMF3 82K 5%	PRODUCTION
6-1879022-1	SMF3100KJT	SMF3 100K 5%	PRODUCTION
6-1879022-3	SMF3120KJT	SMF3 120K 5%	PRODUCTION
6-1879022-5	SMF3150KJT	SMF3 150K 5%	PRODUCTION
6-1879022-7	SMF3180KJT	SMF3 180K 5%	PRODUCTION
6-1879022-9	SMF3220KJT	SMF3 220K 5%	PRODUCTION
7-1879022-1	SMF3270KJT	SMF3 270K 5%	PRODUCTION
7-1879022-3	SMF3330KJT	SMF3 330K 5%	PRODUCTION
7-1879022-5	SMF3390KJT	SMF3 390K 5%	PRODUCTION
7-1879022-7	SMF3470KJT	SMF3 470K 5%	PRODUCTION
7-1879022-9	SMF3560KJT	SMF3 560K 5%	PRODUCTION
8-1879022-1	SMF3680KJT	SMF3 680K 5%	PRODUCTION
8-1879022-3	SMF3820KJT	SMF3 820K 5%	PRODUCTION
8-1879022-5	SMF31M0JT	SMF3 1M0 5%	PRODUCTION
9-1879022-0	SMF31K8FT	SMF3 1K8 1%	PRODUCTION
9-1879022-1	SMF3470RFT	SMF3 470R 1%	PRODUCTION
9-1879022-2	SMF3820RFT	SMF3 820R 1%	PRODUCTION
9-1879022-3	SMF320KJT	SMF3 20K 5%	PRODUCTION

THIS DRAWING IS A CONTROLLED DOCUMENT.

DIMENSIONS:

mm



TOLERANCES UNLESS OTHERWISE SPECIFIED:

0 PLC	±0.2
1 PLC	±0.1
2 PLC	±
3 PLC	±
4 PLC	±
ANGLES	±5°
FINISH	-

MATERIAL

-

DWN 25JAN2022

VINAYAK.K

CHK 25JAN2022

ALLAN.P

APVD 25JAN2022

ALLAN.P

PRODUCT SPEC

APPLICATION SPEC

WEIGHT

-

CUSTOMER DRAWING



TE Connectivity

NAME SMD MOULDED POWER RESISTORS
TYPE SMF3 SERIES

SIZE CAGE CODE DRAWING NO RESTRICTED TO

A3 00779 C-1879022

SCALE 5:1 SHEET 2 OF 2 REV BA1