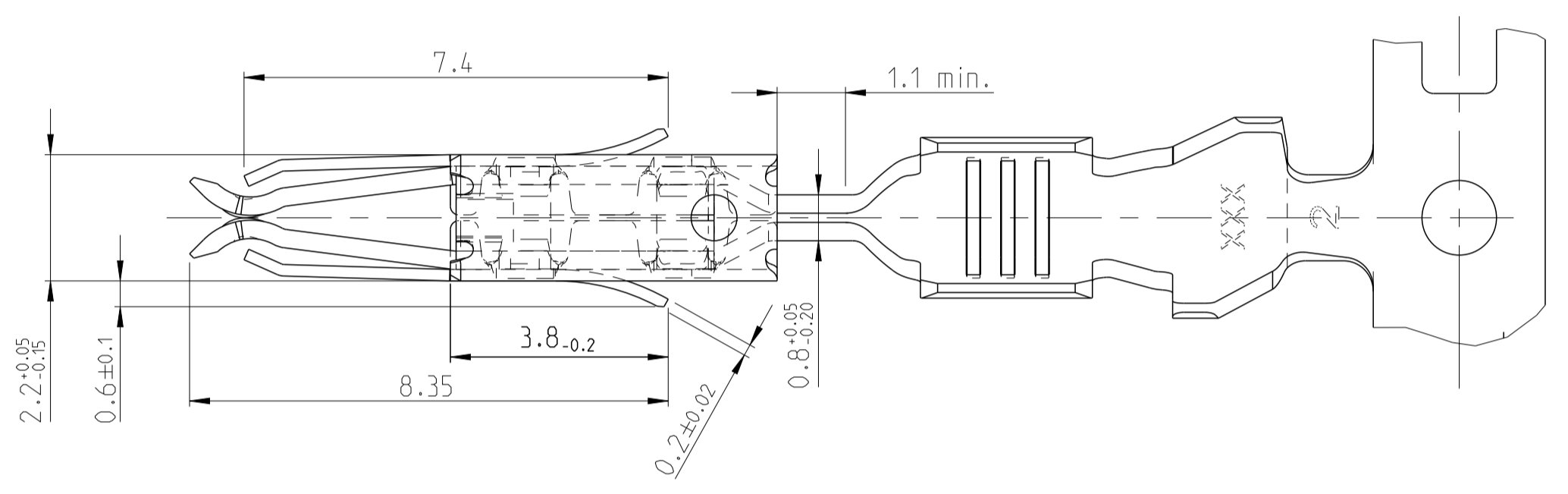
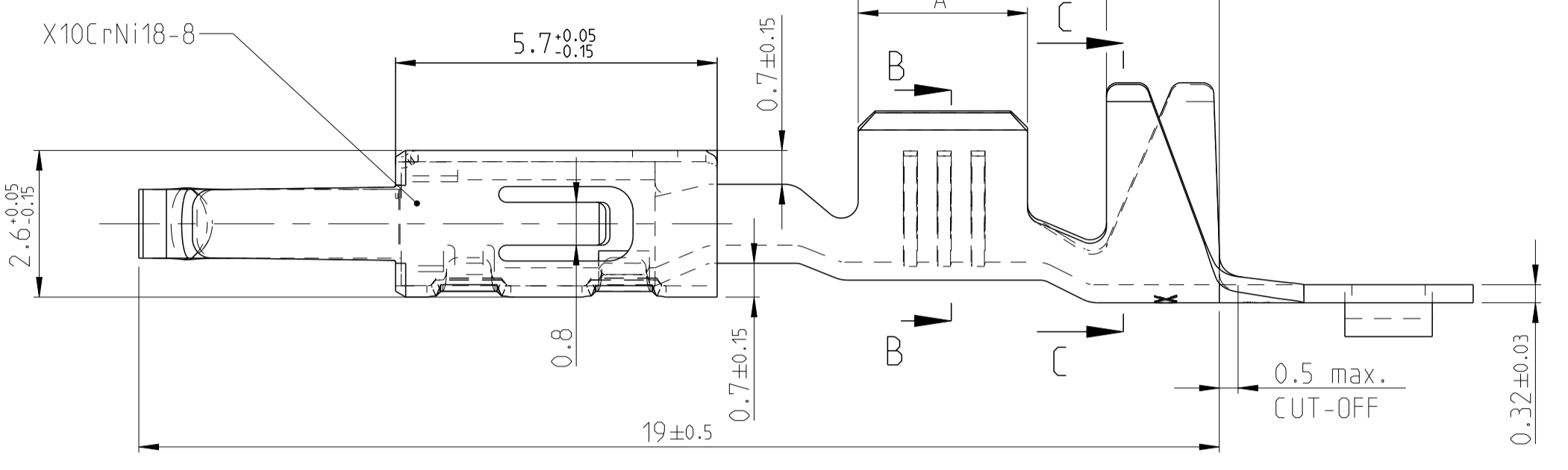
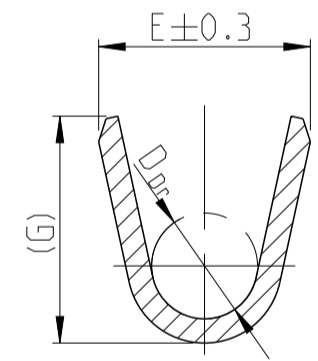


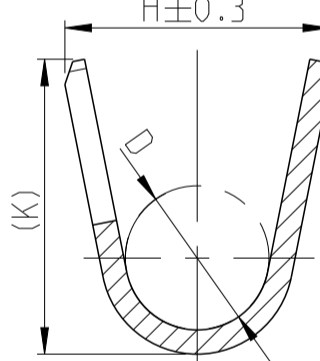
DESIGN 1



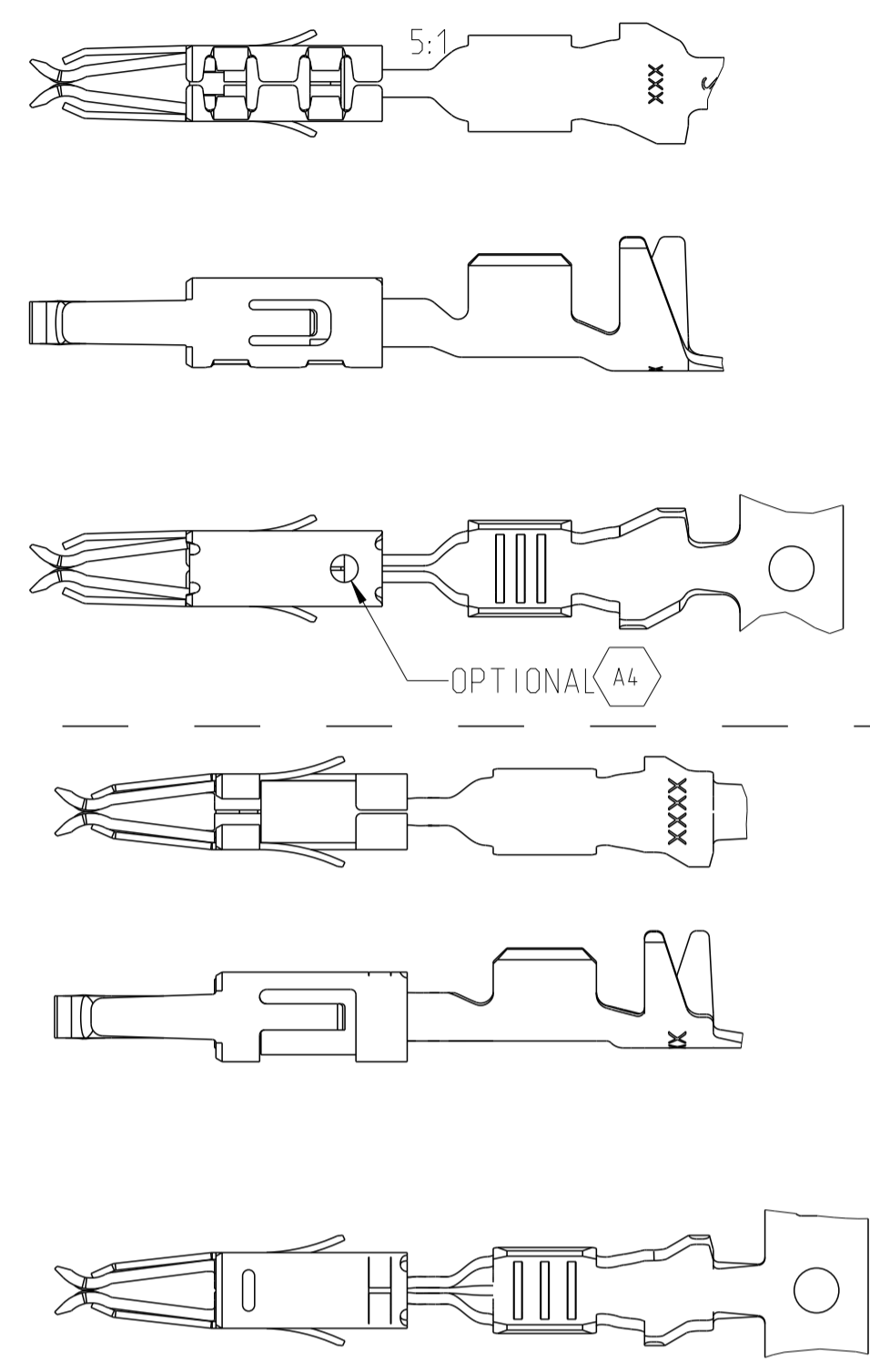
SECTION B-B



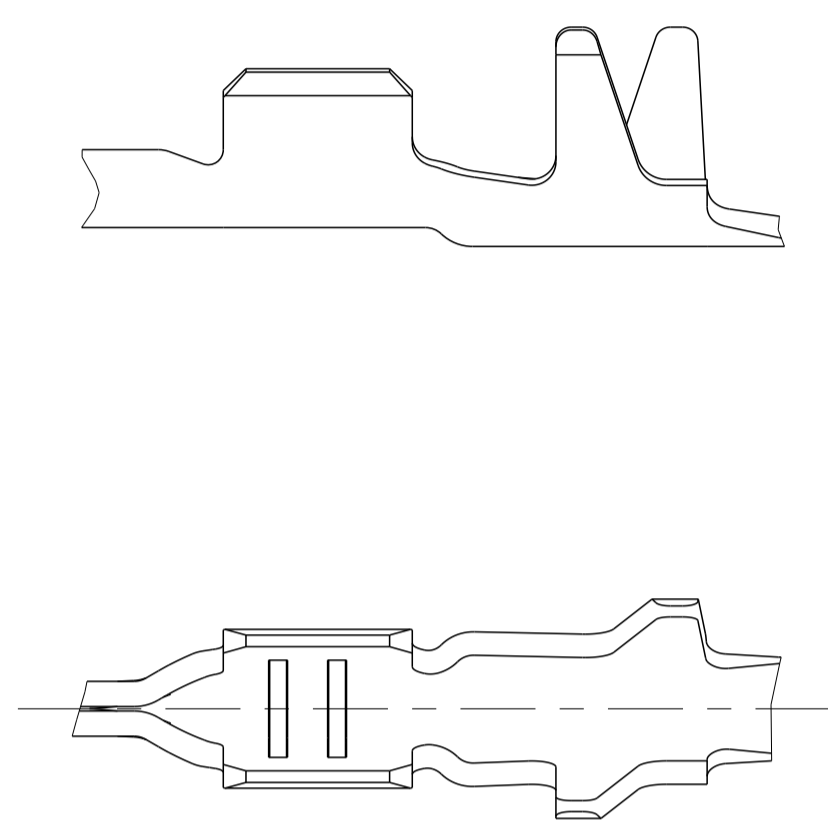
SECTION C-C



SPRING
DIFFERENT TOOL DETAILS
FUNCTION AND HANDLING WITH
ALL DETAILS CONTINUOUSLY
SUPPLY BASED ON AVAILABILITY

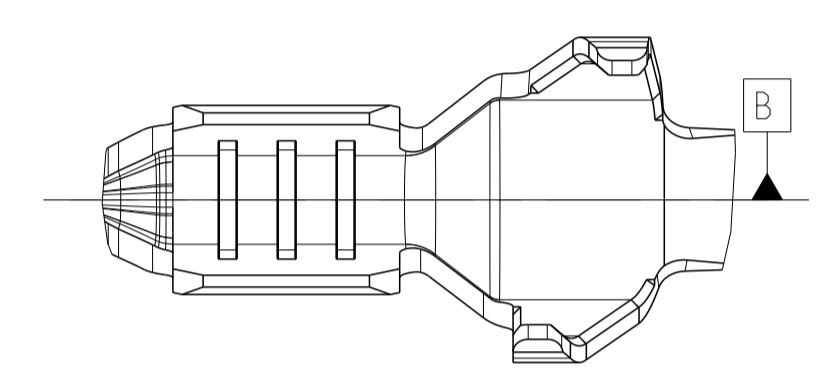
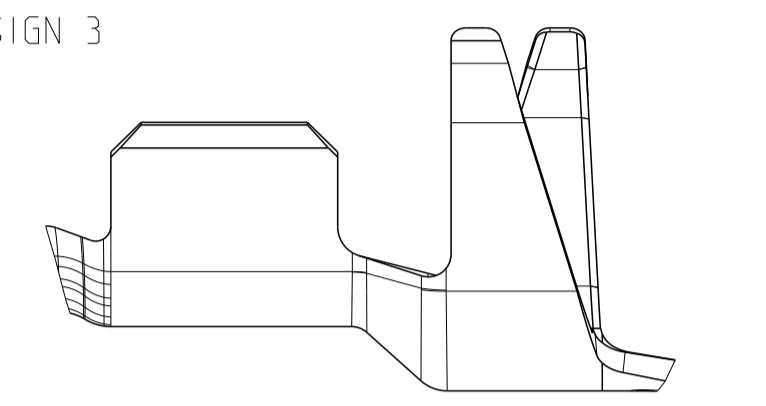


FLR-WIRE
DESIGN 2

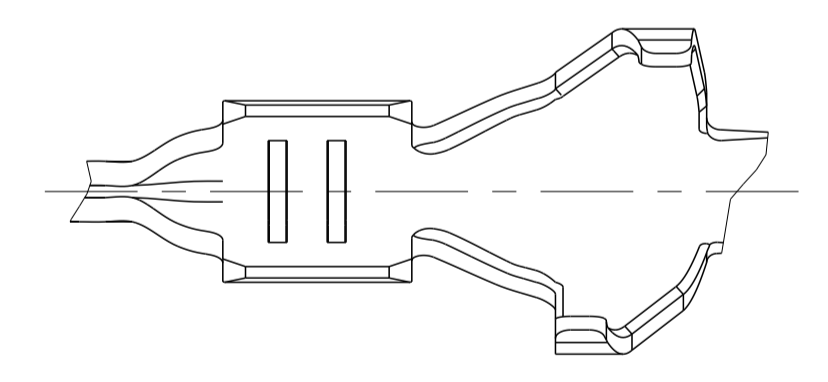
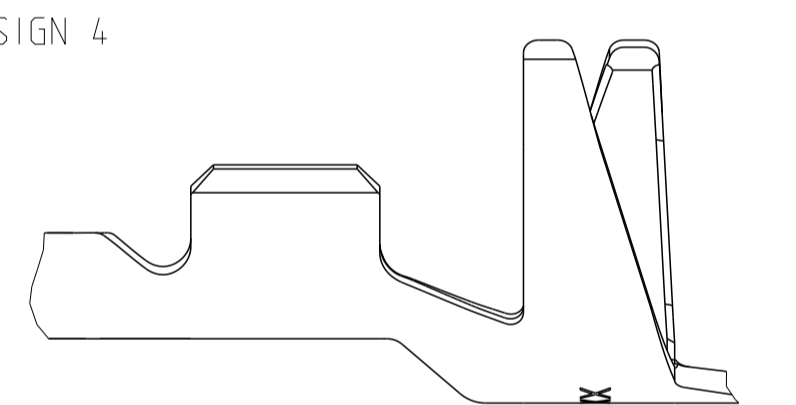


FLR- AND FLK-CABLE

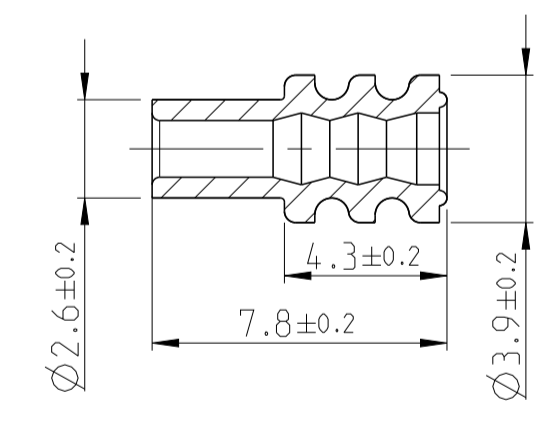
DESIGN 3



DESIGN 4

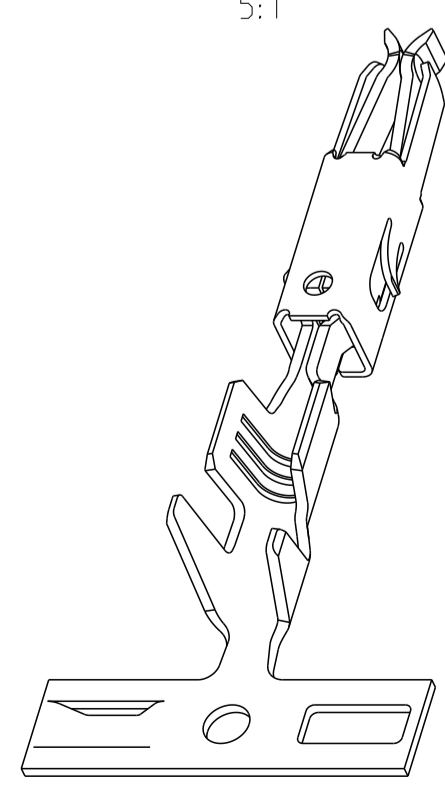


| SINGLE WIRE SEAL | | |
|------------------|--------------|--------|
| ORDER No. | INSULATION Ø | COLOUR |
| 964972-1 | 1.9-2.1 | YELLOW |
| 963530-1 | 1.4-1.9 | GREY |
| 964971-1 | 1.2-1.6 | RED |



| UNSCALED | PN | DESIGN | MATERIAL | SURFACE | WIRE RANGE [mm ²] | INSULATION Ø [mm] | STRIP FORM | | | A | B | C |
|------------------|-----------|--------|----------|-----------|-------------------------------|---------------------------|-----------------------------|-----------------------------|--------------------|-----|-----|---|
| | | | | | | | WIRE CRIMP | INSUL.-CRIMP | CRIMP DIMENSION mm | | | |
| SINGLE WIRE SEAL | 2435075-2 | 3 | CuFe2 | PRETINNED | 0.5-1.0 | 1.4-2.1 | E=2.5 G=2.7 DDr=1.2 | H=4.3 K=4.8 D ISO=2.7 | 3.0 | 4.4 | 6.4 | |
| | 2434742-2 | 4 | CuFe 2 | | 0.2-0.5 | 1.15-1.6 | E=2.1 G=2.1 DDr=0.8 | H=4.3 K=4.8 D ISO=2.6 | 2.5 | 4.4 | 6.4 | |
| 2435080-2 | 1 | CuFe 2 | 0.5-1.0 | | 1.4-2.1 | E=2.5 G=2.7 DDr=1.2 | H=3.2 K=3.4 D ISO=1.8 | 3.0 | 4.4 | 6.4 | | |
| 2435082-2 | 2 | CuFe 2 | 0.2-0.5 | | 1.15-1.6 | E=2.1 G=2.1 DDr=0.8 | H=2.9 K=2.9 D ISO=1.4 | 2.5 | 4.4 | 6.4 | | |

5:1



NOTES

ACCORDING TO INSULATION DIA IS TO CHOOSE THE SINGLE WIRE SEAL

| REVISIONS | | | | |
|-----------|-----|---------------|-----------|---------|
| P. | LTM | DESCRIPTION | DATE | APVD |
| A1 | | REVISE | 22NOV2022 | J.Z W.Z |
| A2 | | REVISE | 12JAN2023 | J.Z W.Z |
| A3 | | ECR-24-211381 | 03JUL2024 | SDT W.Z |
| A4 | | REVISE | 03MAR2025 | S.D W.Z |

THIS DRAWING IS A CONTROLLED DOCUMENT.

| | | | | | |
|----------------|---|-----------------------|---------------------|-------------------------|--|
| DIMENSIONS: mm | TOLERANCES UNLESS OTHERWISE SPECIFIED: ±0.2 | DWN: M.BIAN 10NOV2022 | CHK: J.GU 10NOV2022 | APVD: W.ZHANG 10NOV2022 | NAME: MICRO TIMER 2 CONTACT TYPE A PRODUCT GROUP DRAWING |
| MATERIAL: - | FINISH: - | SIZE: 144-18081 | WEIGHT: - | Customer Drawing | RESTRICTED TO: - |

SCALE 10:1 SHEET 1 OF 1 REV A4