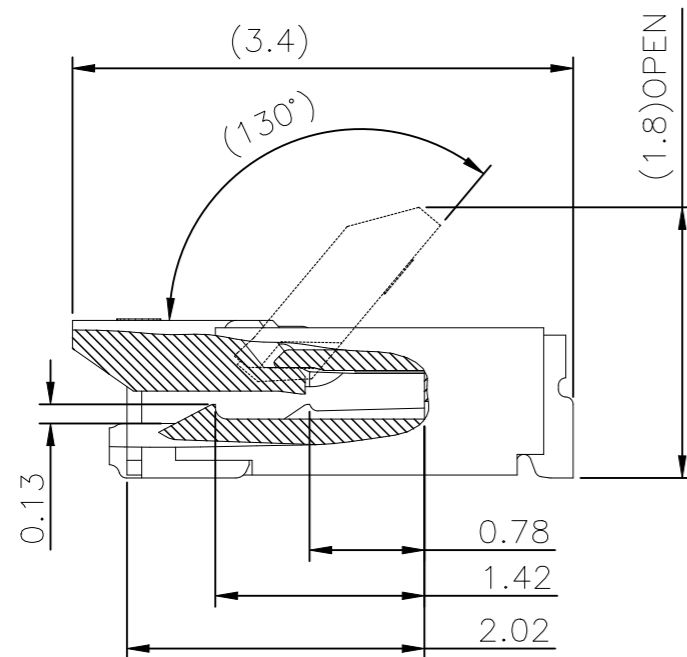
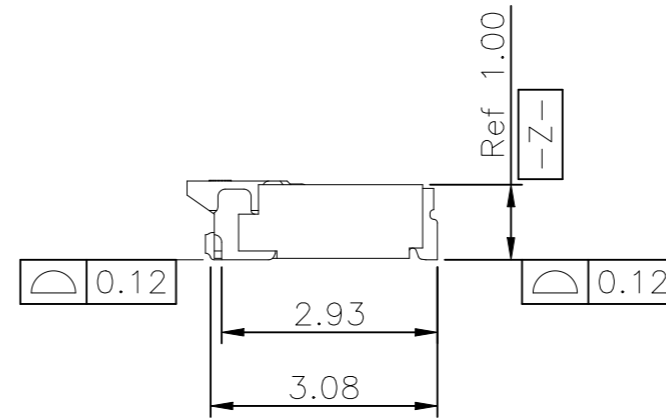
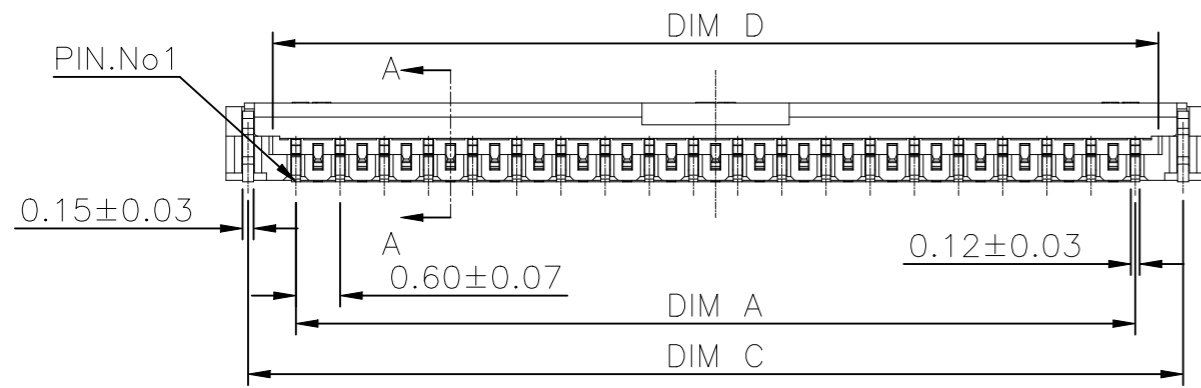
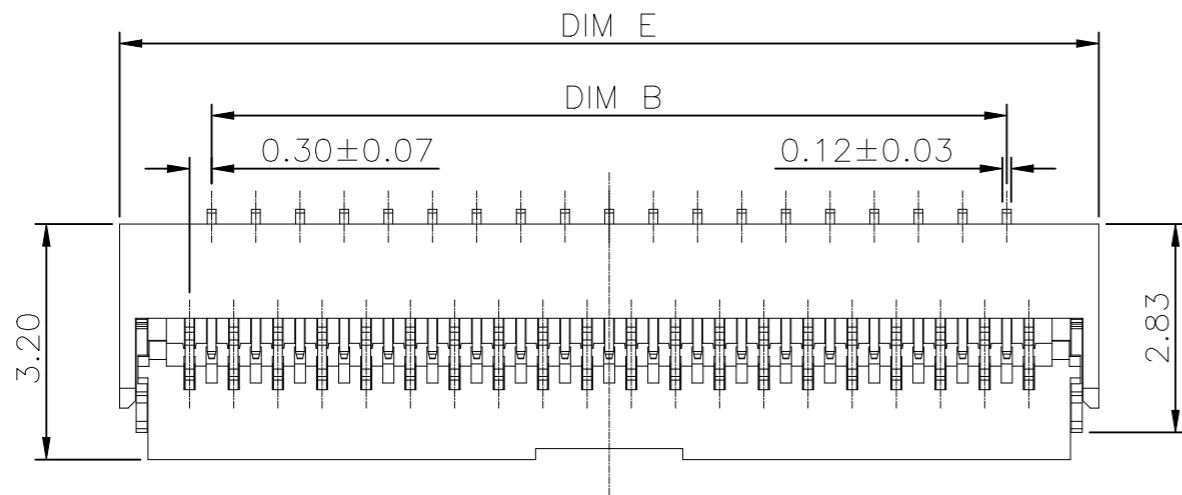


REVISIONS					
P	LTR	DESCRIPTION	DATE	DWN	APVD
A1		REVISED PER ECR-25-241276	14APR2025	MK	MS



SECTION A-A
SCALE 2:1

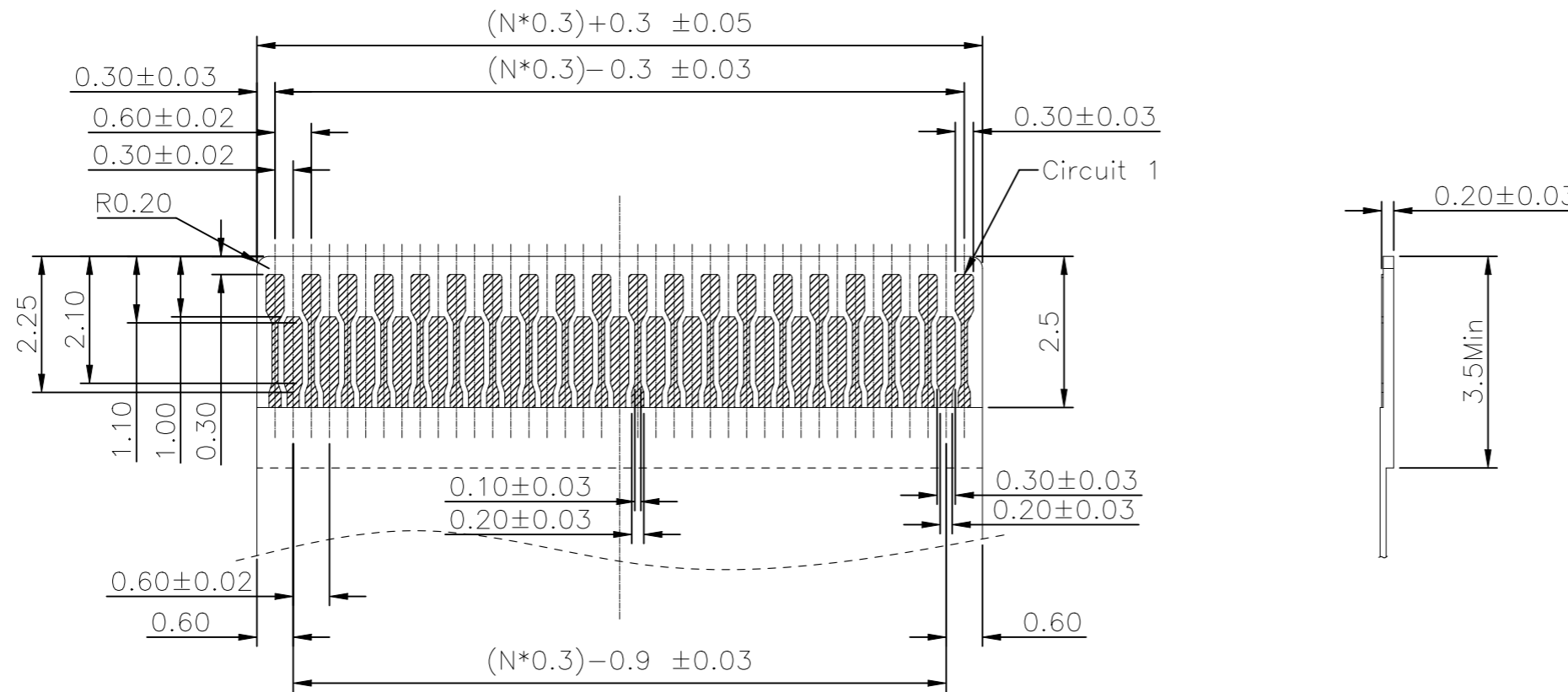
NOTES:

- MATERIAL:
HOUSING: Thermoplastic,UL94V-0.NATURAL COLOR
ACTUATOR: PPS ,UL 94V-0.BLACK COLOR
CONTACTS: PHOSPHOR BRONZE.
TAB: PHOSPHOR BRONZE.
- FINISH:
CONTACTS: GOLD FLASH ON SOLDERING AREA..
TABS: 120u" MIN.MATTE-TIN OVER 50u"MIN NICKEL.
- SPECIFICATION:
VOLTAGE RATING: 30V AC/DC
CURRENT RATING: 0.2 A
- THE PRODUCT IS RoHS AND HF COMPLIANT
- PIN NO.

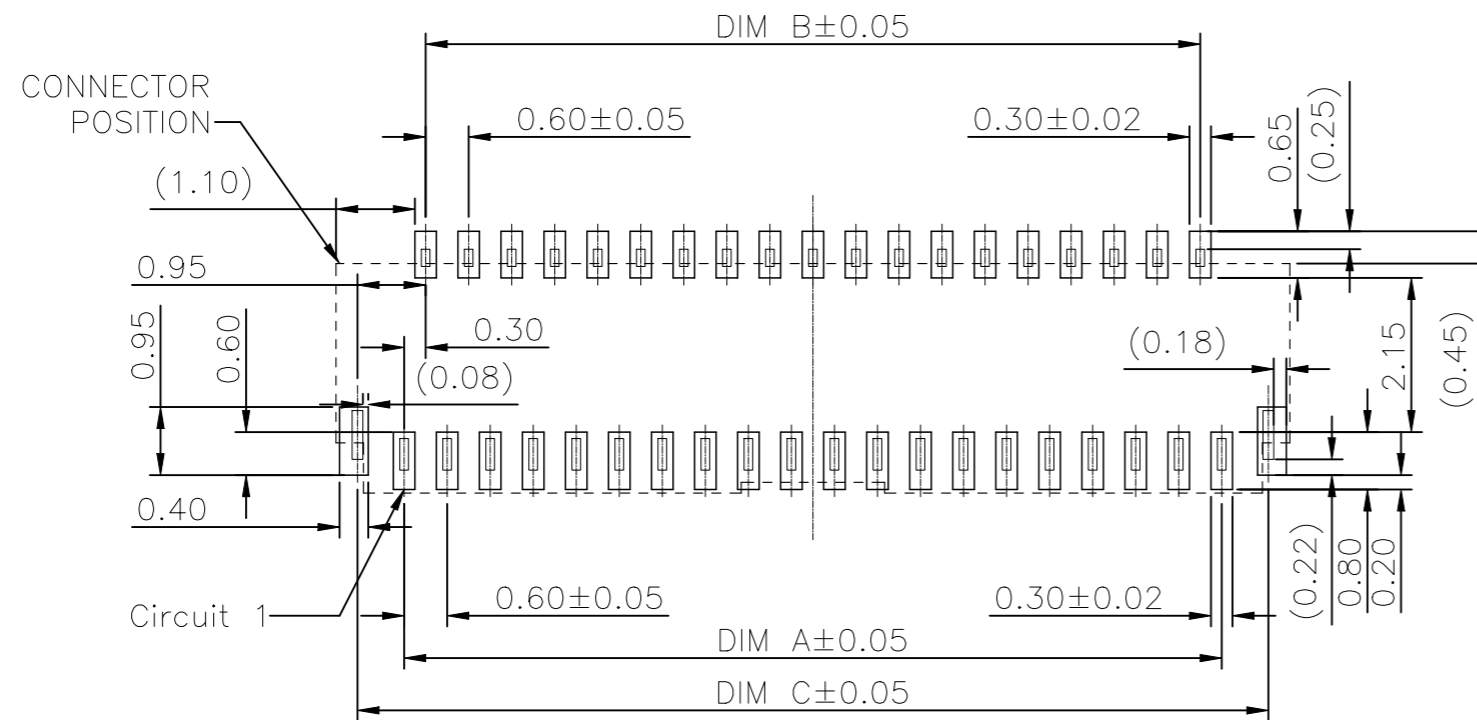
TE PN	POS	DIM=A	DIM=B	DIM=C	DIM=D	DIM=E
5-2495217-1	51	15.00	14.40	16.30	15.63	16.90
4-2495217-5	45	13.20	12.60	14.50	13.83	15.10
4-2495217-1	41	12.00	11.40	13.30	12.63	13.90
3-2495217-9	39	11.40	10.80	12.70	12.03	13.30
3-2495217-5	35	10.20	9.60	11.50	10.83	12.10
3-2495217-3	33	9.60	9.00	10.90	10.23	11.50
3-2495217-1	31	9.00	8.40	10.30	9.63	10.90
2-2495217-5	25	7.20	6.60	8.50	7.83	9.10
2-2495217-3	23	6.60	6.00	7.90	7.23	8.50
2-2495217-1	21	6.00	5.40	7.30	6.63	7.90
1-2495217-5	15	4.20	3.60	5.50	4.83	6.10
1-2495217-3	13	3.60	3.00	4.90	4.23	5.50

THIS DRAWING IS A CONTROLLED DOCUMENT.		DWN Madhan S 27DEC2024		
DIMENSIONS: mm [INCHES]		CHK Jagruti M 27DEC2024		
TOLERANCES UNLESS OTHERWISE SPECIFIED:		APVD Jagruti M 27DEC2024	NAME FPC CONNECTOR	
0 PLC ± 0.4		PRODUCT SPEC 108-161789	0.3mm Pitch, right angle,GF,SMT	
1 PLC ± 0.25		APPLICATION SPEC	SIZE	CAGE CODE
2 PLC ± 0.15			A2	00779
3 PLC ± 0.10			DRAWING NO	RESTRICTED TO
4 PLC ± -			C=2495217	-
ANGLES ± 3°			SCALE	SHEET
FINISH See Note		WEIGHT 0	1:1	1 of 3
MATERIAL See Note		CUSTOMER DRAWING	REV	A1

P	LTR	DESCRIPTION	DATE	DWN	APVD
-	-	SEE SHEET 1	-	-	-



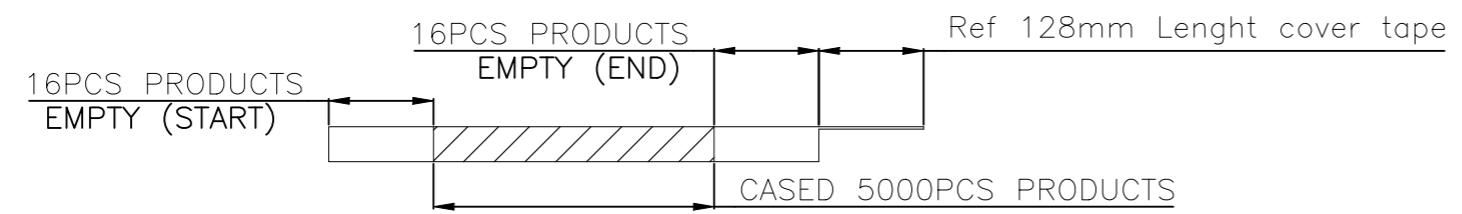
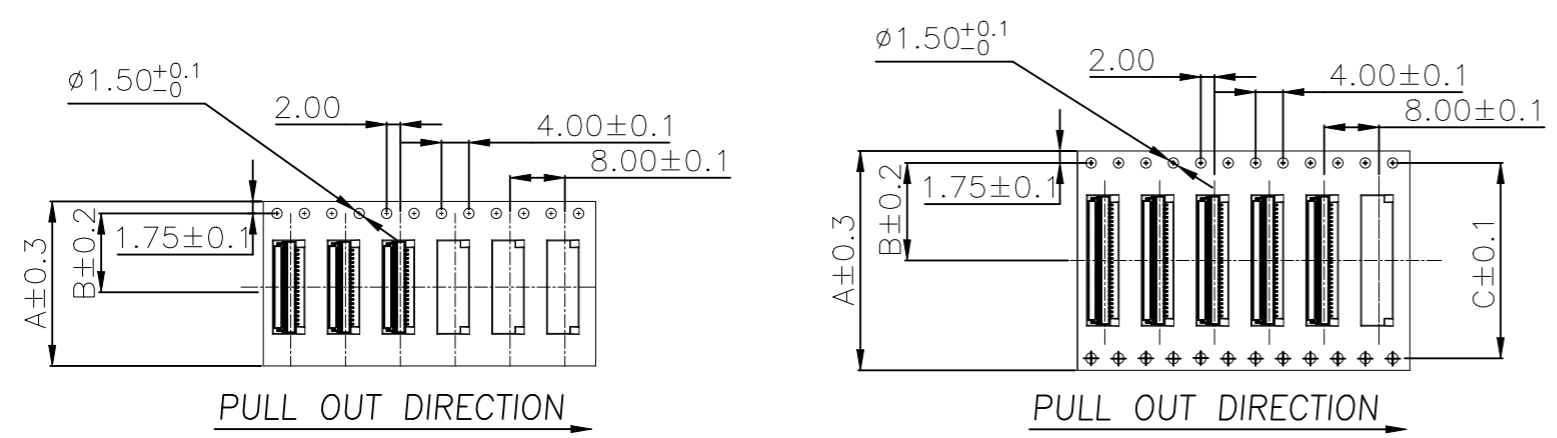
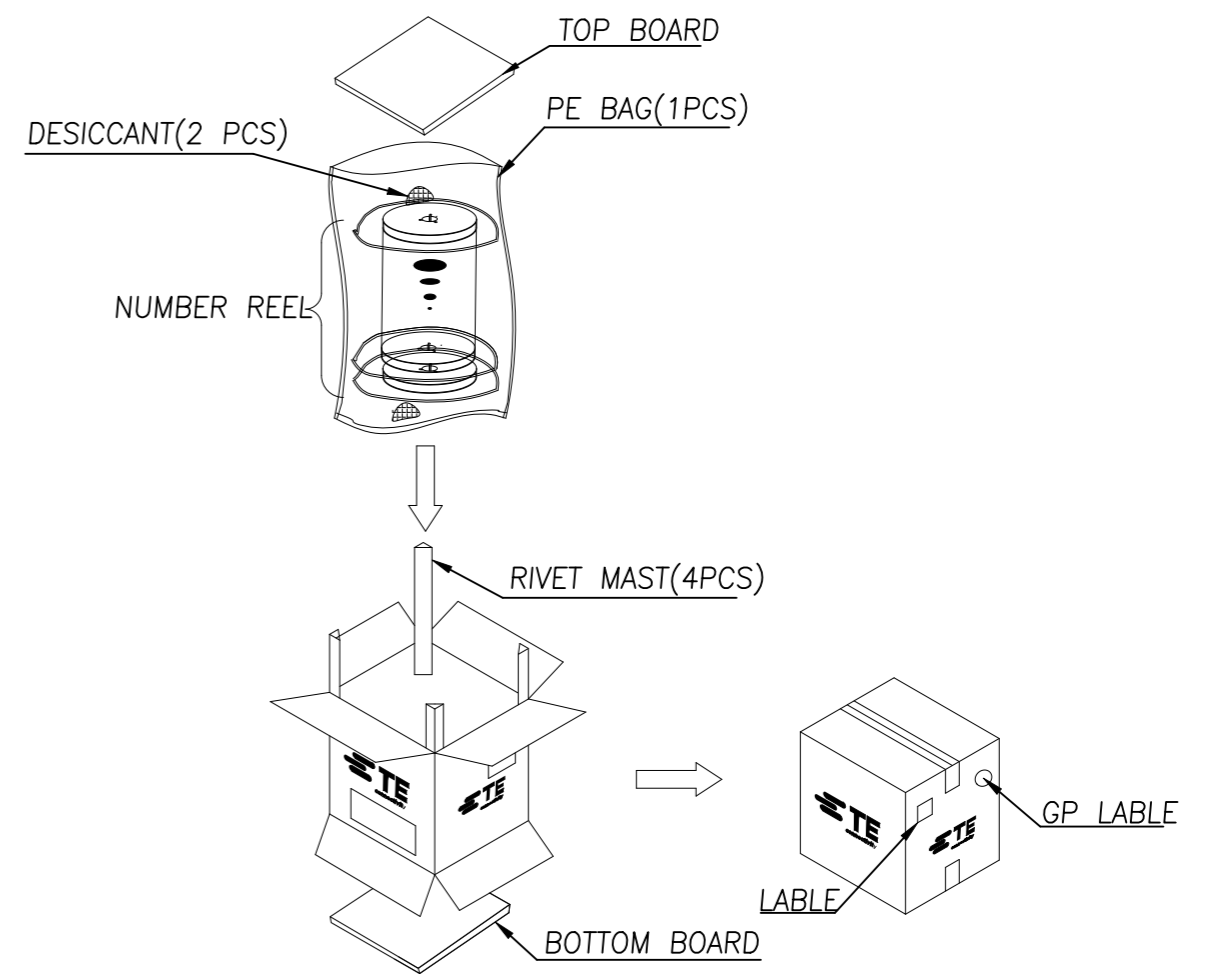
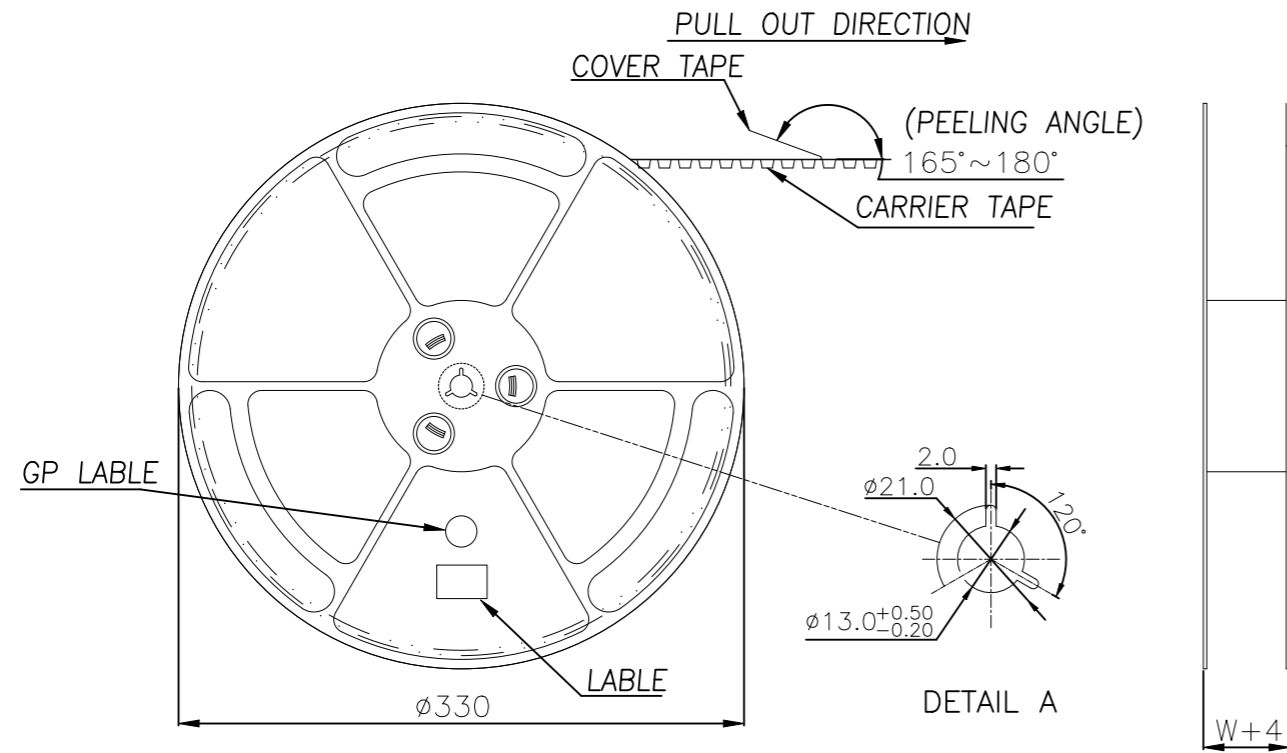
RECOMMENDED FPC/FFC DIMENSION



RECOMMENDED P.C.B PATTERN LAYOUT

THIS DRAWING IS A CONTROLLED DOCUMENT.		DWN Madhan S 27DEC2024		
DIMENSIONS: mm [INCHES]		CHK Jagruti M 27DEC2024		
TOLERANCES UNLESS OTHERWISE SPECIFIED:		APVD Jagruti M 27DEC2024	NAME FPC CONNECTOR	
0 PLC ± 0.4		PRODUCT SPEC 108-161789	0.3mm Pitch, right angle, GF, SMT	
1 PLC ± 0.25		APPLICATION SPEC	SIZE A2	CAGE CODE 00779
2 PLC ± 0.15			DRAWING NO C=2495217	RESTRICTED TO
3 PLC ± 0.10			WEIGHT 0	
4 PLC ± -			CUSTOMER DRAWING	
ANGLES ± 3°			SCALE 1:1	SHEET 2 of 3
MATERIAL See Note	FINISH See Note		REV A1	

REVISIONS					
P	LTR	DESCRIPTION	DATE	DWN	APVD
-	-	SEE SHEET 1	-	-	-



- NOTE:
- 1.10 Sprocket hole pitch cumulative tolerance ± 0.20 .
 2. Carrier camber is within 1mm in 100mm.
 3. Material: black conductive polystyrene alloy.
 4. Material Thickness: 0.3 ± 0.05 mm.
 5. All dimensions meet EIA-481-B requirements.
 6. 5000pcs Pef Reel.
 7. For tape width(dim W)16 and 24mm pilot holes are provided on one sides.
For tape width(dim W)32, 44 and 56mm pilot holes are provided on both sides.

PIN NO.	W	A	B	C	PCS /REEL	REEL/CARTON	SUM(PCS)
13PIN~25PIN	20.5	16	7.50	-	5000	2	10000
27PIN~51PIN	28.5	24	11.5	-	5000	2	10000
53PIN~69PIN	36.5	32	14.2	28.4	5000	2	10000
71PIN	48.5	44	20.2	40.4	5000	2	10000

THIS DRAWING IS A CONTROLLED DOCUMENT.		DWN Madhan S 27DEC2024	TE Connectivity	
DIMENSIONS: mm [INCHES]		CHK Jagruti M 27DEC2024		
TOLERANCES UNLESS OTHERWISE SPECIFIED:		APVD Jagruti M 27DEC2024	NAME FPC CONNECTOR	
0 PLC ± 0.4		PRODUCT SPEC 108-161789	0.3mm Pitch, right angle,GF,SMT	
1 PLC ± 0.25		APPLICATION SPEC	SIZE A2	CAGE CODE 00779
2 PLC ± 0.15		WEIGHT 0	DRAWING NO C-2495217	RESTRICTED TO
3 PLC ± 0.10		CUSTOMER DRAWING	SCALE 1:1	SHEET 3 of 3
4 PLC \pm			REV A1	
FINISH See Note				