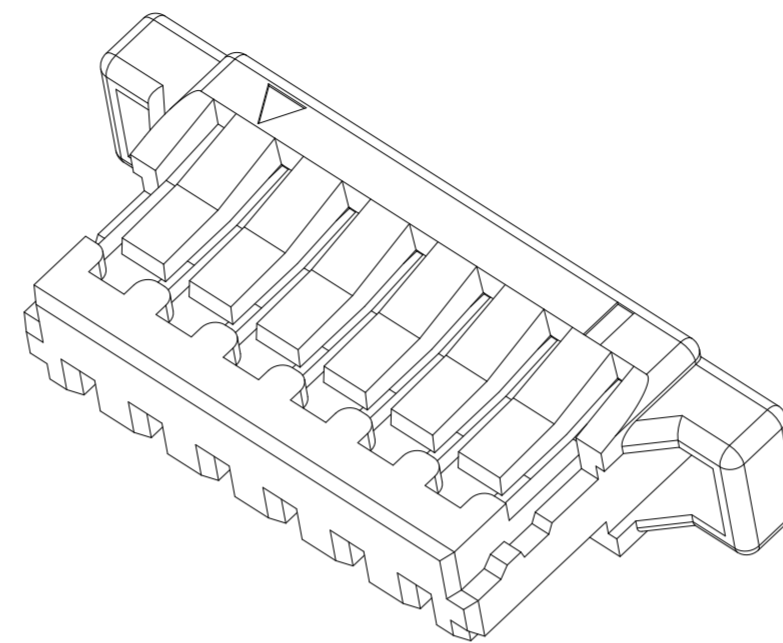
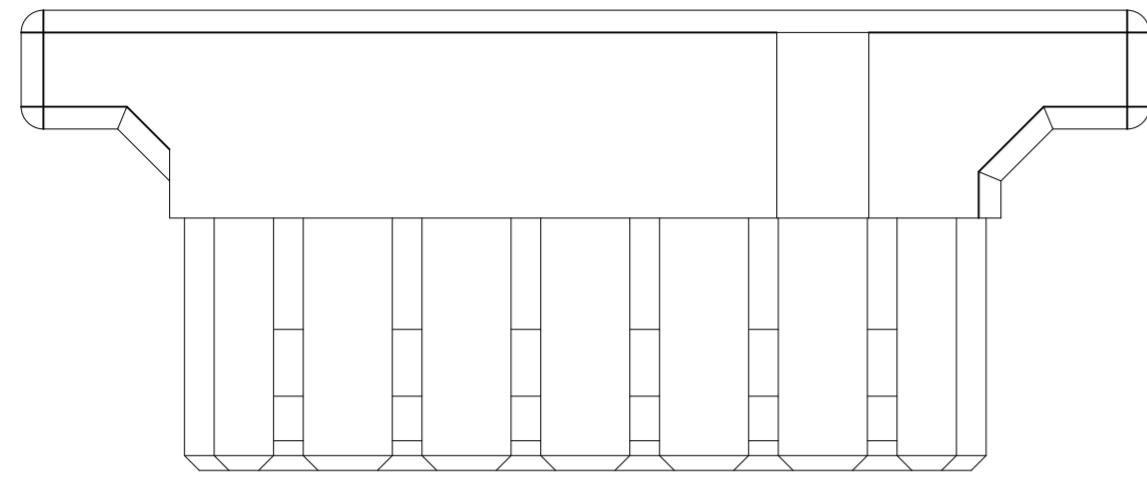
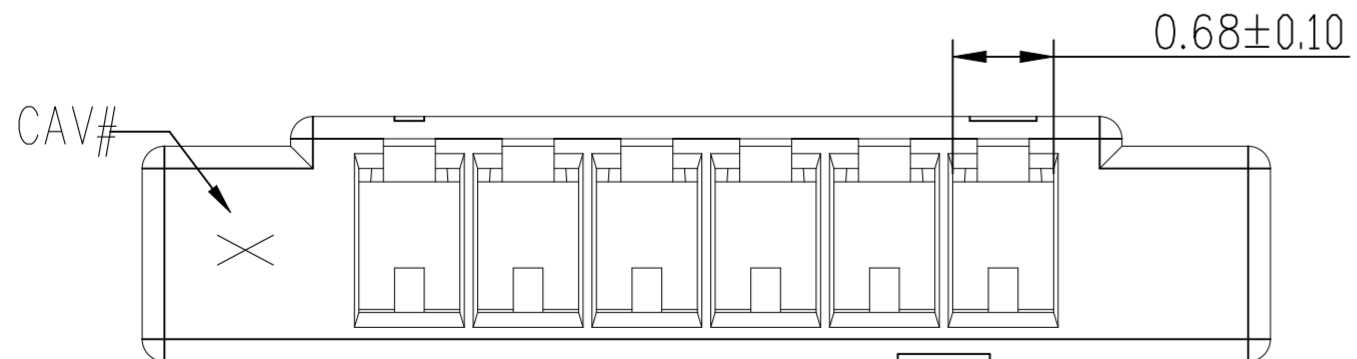
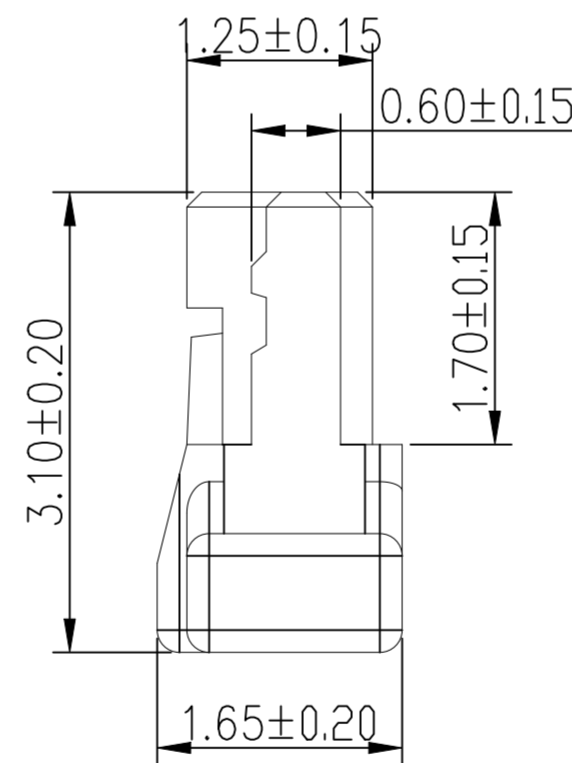
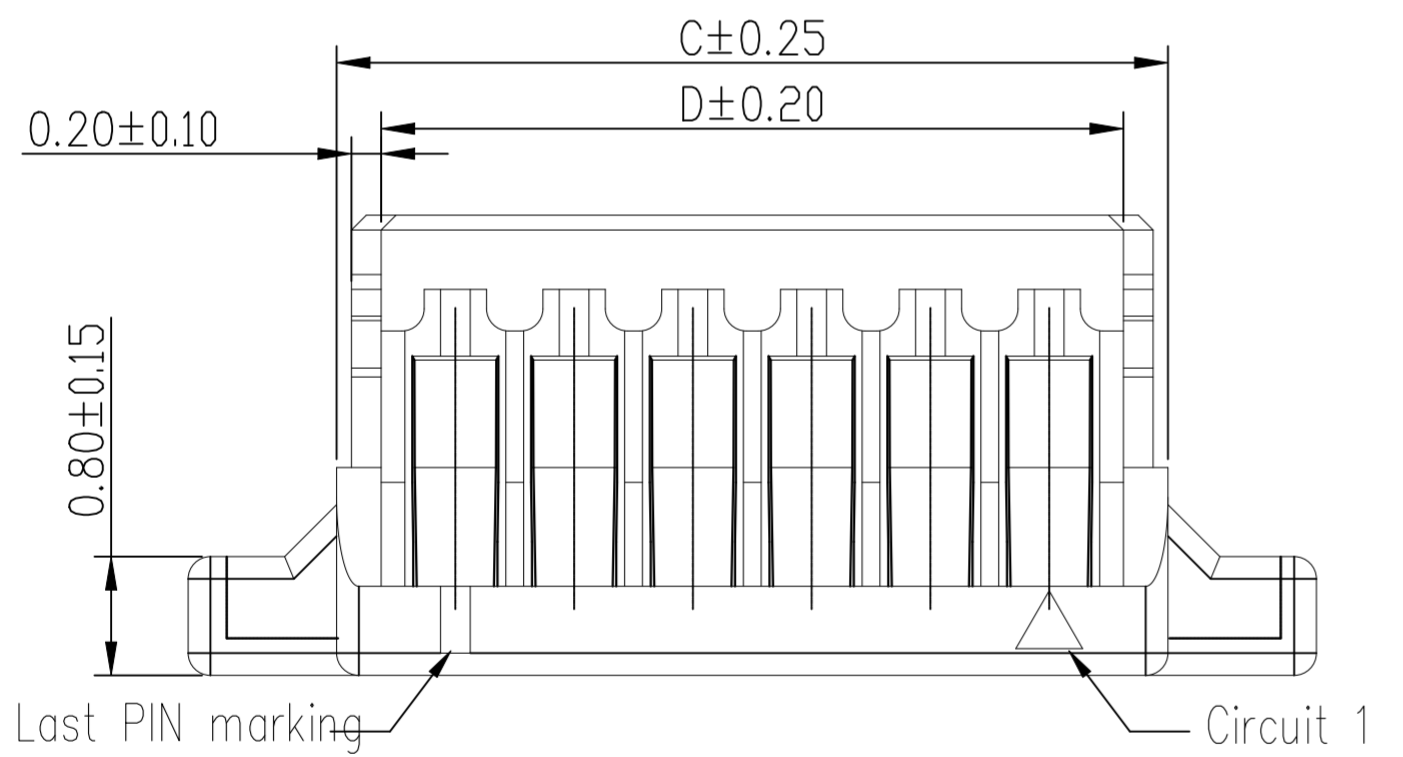
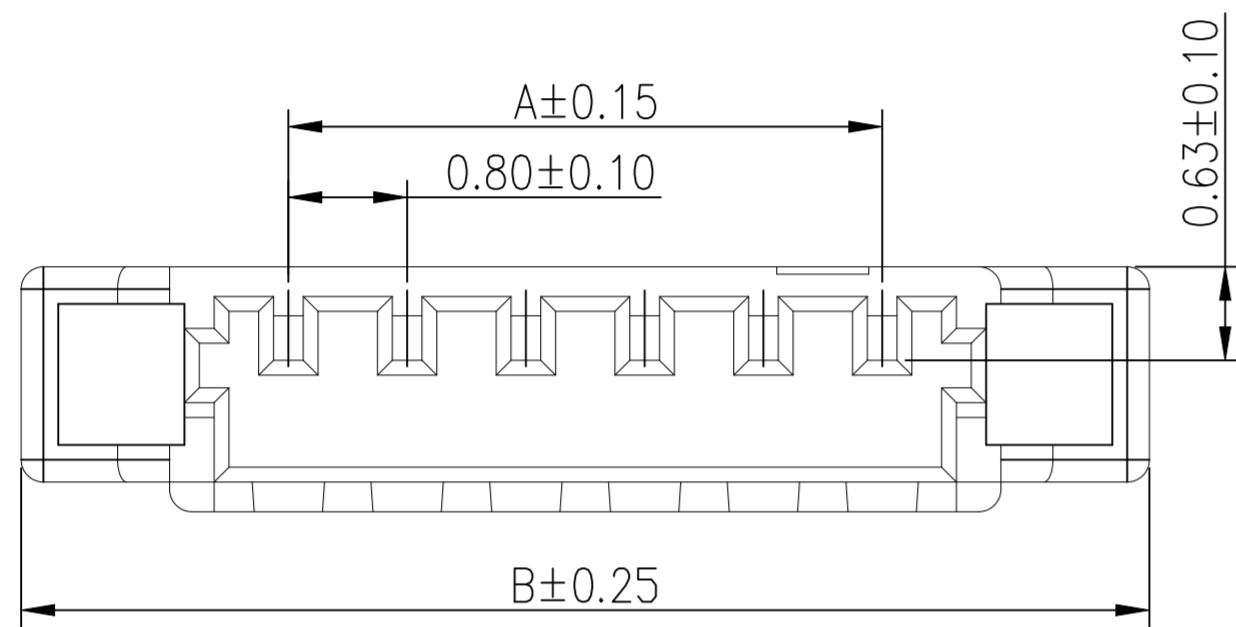


REVISIONS				
P	LTR	DESCRIPTION	DATE	APVD
	A	INITIAL RELEASE	09APR2025	JM



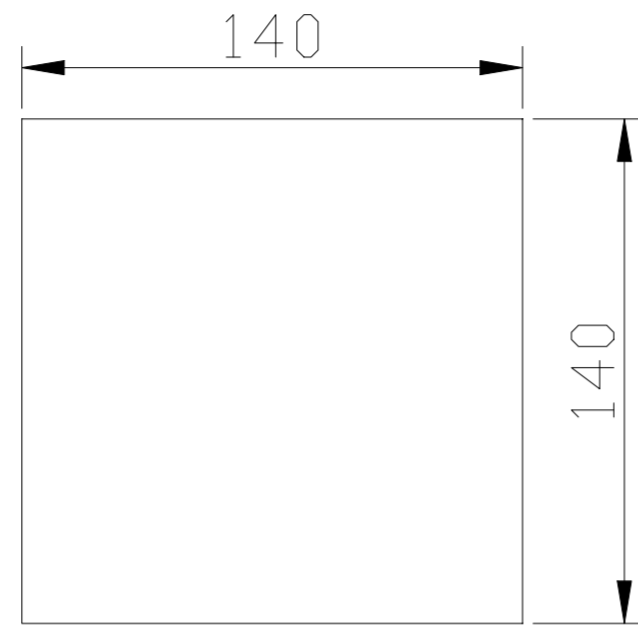
NOTES:  
 1.MATERIAL:  
 HOUSING : LCP, UL94V-0; NATURAL COLOR  
 2.SPECIFICATION:  
 VOLTAGE RATING:30V AC/DC  
 CURRENT RATING : 1A  
 3.THE PRODUCT IS RoHS AND HF COMPLIANT.



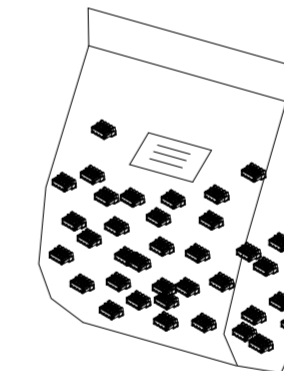
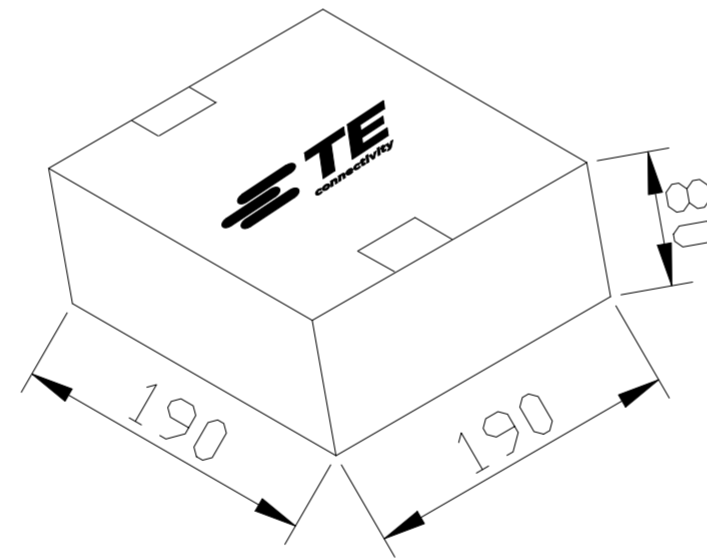
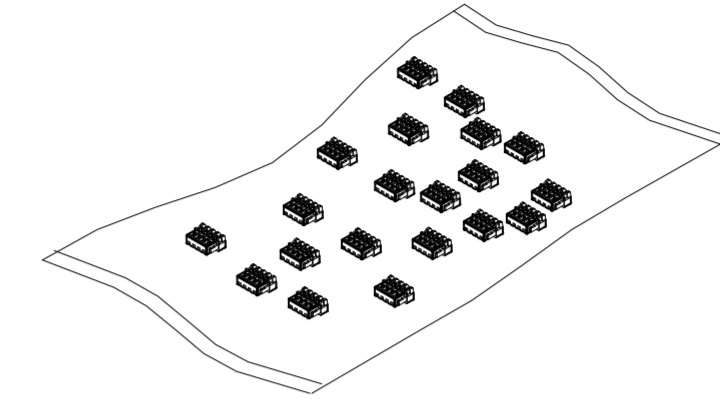
TE PART NUMBER	Dimensions			
	A	B	C	D
2495754-2	--	4.40	2.40	1.80
2495754-3	1.60	5.20	3.20	2.60
2495754-4	2.40	6.00	4.00	3.40
2495754-5	3.20	6.80	4.80	4.20
2495754-6	4.00	7.60	5.60	5.00
2495754-8	5.60	9.20	7.20	6.60
1-2495754-0	7.20	10.80	8.80	8.20
1-2495754-2	8.80	12.40	10.40	9.80

THIS DRAWING IS A CONTROLLED DOCUMENT.		DWN Gowtham 01OCT2024	TE Connectivity Ltd.	
DIMENSIONS: mm		CHK JAGRUTHI 01/10/2024		
TOLERANCES UNLESS OTHERWISE SPECIFIED:		APVD GOWTHAM 01/10/2024	NAME	
0 PLC ± -		PRODUCT SPEC		
1 PLC ± 0.25		108-161611		
2 PLC ± 0.15		APPLICATION SPEC		
3 PLC ± 0.08		114-161208		
4 PLC ± - ± -		SIZE CAGE CODE DRAWING NO RESTRICTED TO		
MATERIAL FINISH		A2 00779 C-2495754		
		CUSTOMER DRAWING SCALE 1:1 SHEET 1 of 2 REV A		

REVISIONS				
P	LTR	DESCRIPTION	DATE	APVD
-	-	SEE SHEET 1	-	-



PE Bag



P/N	Packing quantity in PE bag	The number of outer carton packs
2-8PIN	2000 PCS	10000 PCS
10-12PIN	1000 PCS	10000 PCS

THIS DRAWING IS A CONTROLLED DOCUMENT.		DWN Gowtham 01OCT2024	TE Connectivity Ltd.	
DIMENSIONS: mm		CHK JAGRUTHI 01/10/2024		
TOLERANCES UNLESS OTHERWISE SPECIFIED:		APVD GOWTHAM 01/10/2024	NAME -	
0 PLC ± -		PRODUCT SPEC	0.8mm CRIMP RECEPTACLE WTB	
1 PLC ± 0.25		108-161611	-	
2 PLC ± 0.15		APPLICATION SPEC	-	
3 PLC ± 0.08		114-161208	SIZE A2	CAGE CODE 00779
4 PLC ± - ± -		WEIGHT 0	DRAWING NO G-2495754	RESTRICTED TO -
MATERIAL -		FINISH -	CUSTOMER DRAWING	
		SCALE 1:1	SHEET 2 of 2	REV A