

4

3

2

1

© - TE Connectivity. All Rights Reserved.

REVISIONS

P	LTR	DESCRIPTION	DATE	DWN	APVD
A		Initial Release	10MAR2025	MS	JM

Drawing for SMT Type

RECOMMENDED P.C.B LAYOUT  
(COMPONENT SIDE)(TOLERANCE: ±0.05)

NOTES:

- Current Rating: See Table
- Contact Resistance: 20mΩ Max
- Withstand Voltage: 500V AC
- Insulation Resistance: 100MΩ Min
- Operation Temperature: -40°C to +125°C
- Housing:  
High Temperature Plastics, UL94 V-0, Black
- Cap:  
High Temperature Plastics, UL94 V-0, Black
- Contact: Copper Alloy  
Matte Tin or 0.02μm[0.8u"] Gold over Nickel
- Nail: Copper Alloy  
Matte Tin over Nickel

Recommended Process:  
IR Soldering, Peak Temperature: 260±5°C, 5s

Rated Current at 23°C:

Size Wire	2P	8P	16P
AWG#26	3.6A	2.4A	2.2A
AWG#28	3.1A	2.1A	1.8A
AWG#30	2.8A	1.8A	1.5A

PRODUCT FAMILY TABLE – SURFACE MOUNT

PINS	A	B	C	D	E	F	G	H	J	TCPN (TIN)	TCPN (GOLD)
1x2	5.75	1.25	3.50	2.20	0.85			4.90	0.55	2496750-2	4-2496750-2
1x3	7.00	2.50	4.75	3.15	1.15			6.15	0.60	2496750-3	4-2496750-3
1x4	8.25	3.75	6.00	4.40	1.40			7.40		2496750-4	4-2496750-4
1x5	9.50	5.00	7.25	5.65	2.65			8.65		2496750-5	4-2496750-5
1x6	10.75	6.25	8.50	6.90	3.90	/	/	9.90	0.85	2496750-6	4-2496750-6
1x7	12.00	7.50	9.55	7.00				11.15		2496750-7	4-2496750-7
1x8	13.25	8.75	10.80	9.50	6.10			12.40	2496750-8	4-2496750-8	
1x9	14.50	10.00	12.05					13.65	2496750-9	4-2496750-9	
1x10	15.75	11.25	13.30	11.00	7.60	14.60	12.30	14.90	1-2496750-0	5-2496750-0	
1x11	17.00	12.50	14.55					16.15	1-2496750-1	5-2496750-1	
1x12	18.25	13.75	15.80					17.40	1-2496750-2	5-2496750-2	
1x13	19.50	15.00	17.05	19.90				18.65	1-2496750-3	5-2496750-3	
1x14	20.75	16.25	18.30					19.90	1-2496750-4	5-2496750-4	
1x15	22.00	17.50	19.55	21.15				21.15	1-2496750-4	5-2496750-4	
1x16	23.25	18.75	20.80					22.40	1-2496750-6	5-2496750-6	

THIS DRAWING IS A CONTROLLED DOCUMENT.		DWN Madhan S 10JAN2025		
		CHK JAGRUTI M 06FEB2025		
DIMENSIONS: mm		TOLERANCES UNLESS OTHERWISE SPECIFIED:		NAME 1.25MM WTB HDR SMT & THBL
		0 PLC ± -		SIZE A2
		1 PLC ± -		CAGE CODE 00779
		2 PLC ± 0.25		DRAWING NO C=2496750
		3 PLC ± -		RESTRICTED TO -
		4 PLC ± -		SCALE 1:1
		ANGLES ± -		SHEET 1 of 6
MATERIAL -		FINISH -		REV A
		WEIGHT 0		CUSTOMER DRAWING
		SCALE 1:1		

1471-9 (1/15)

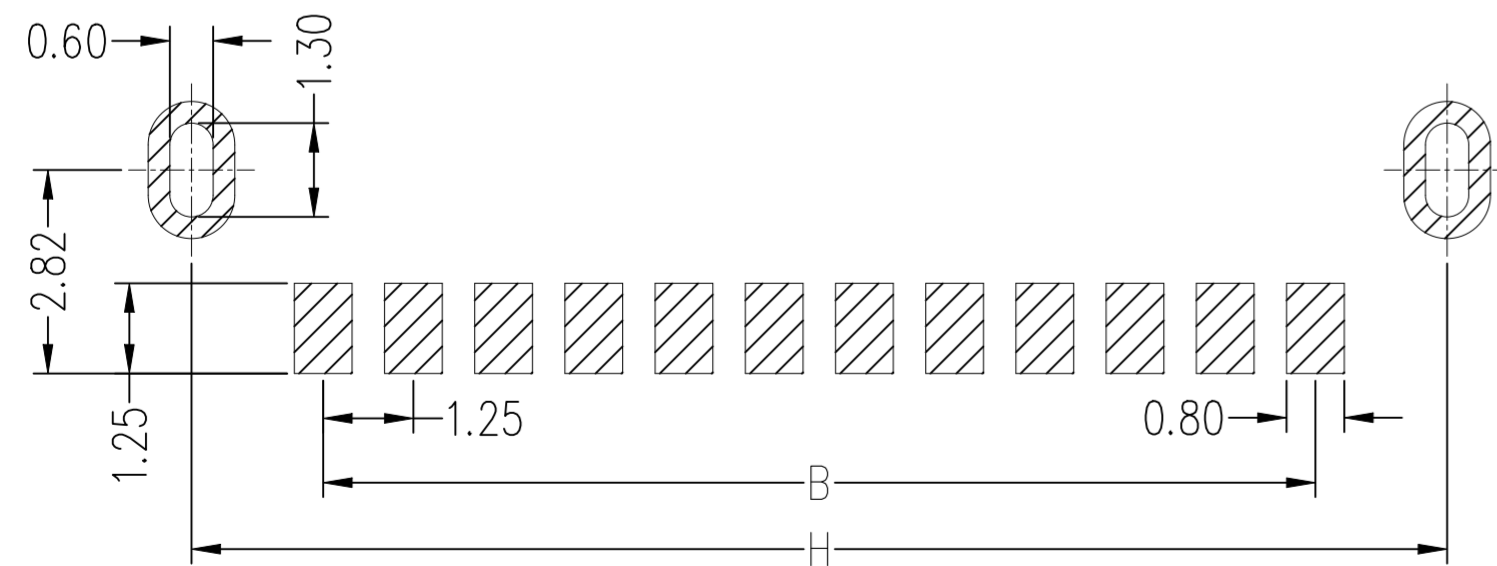
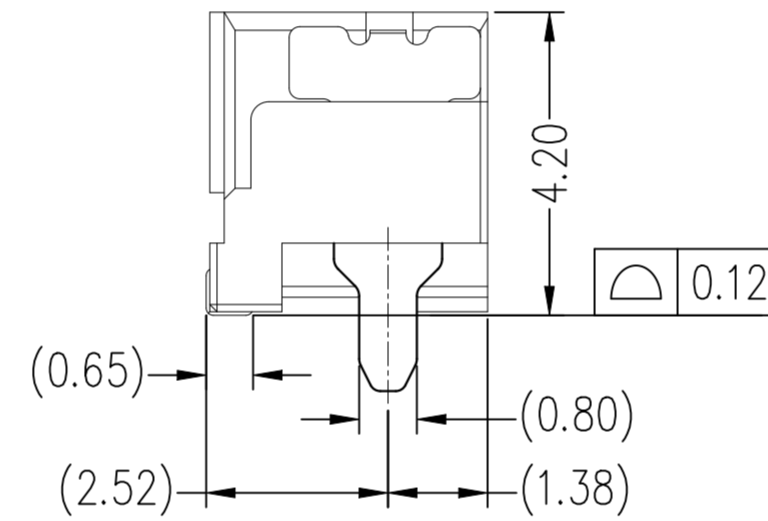
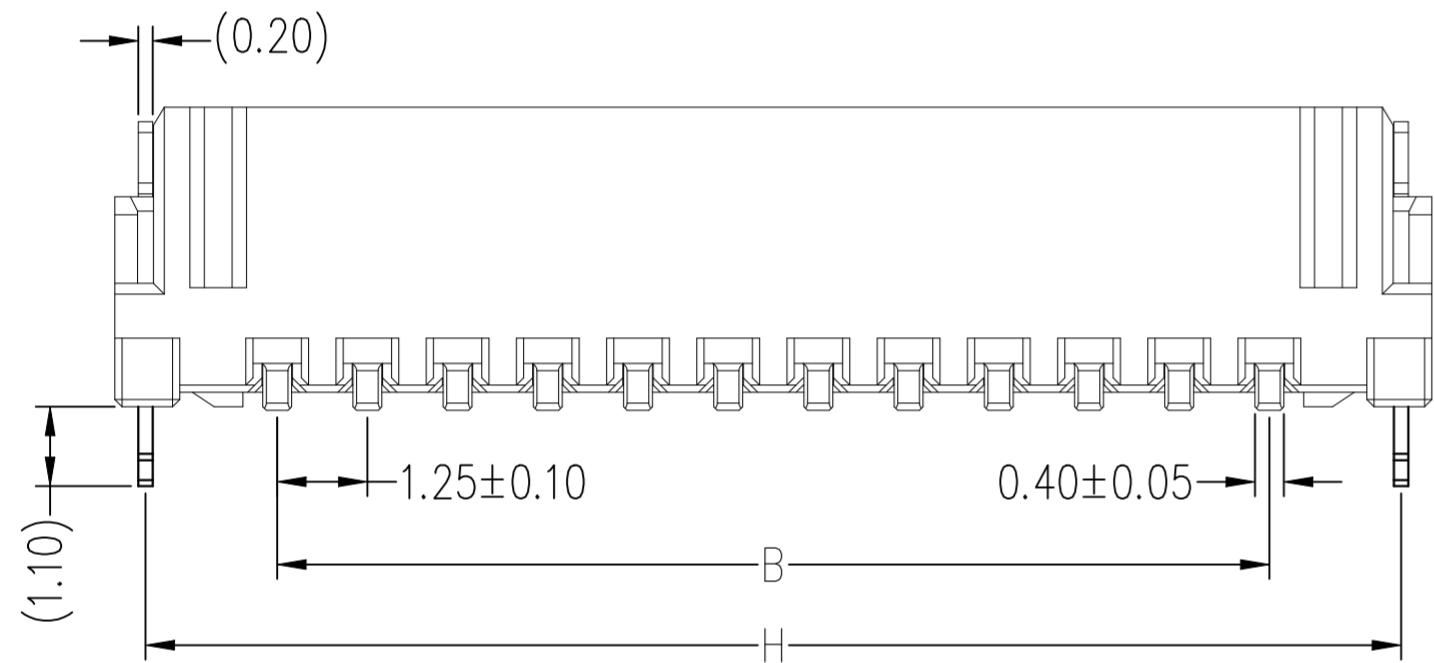
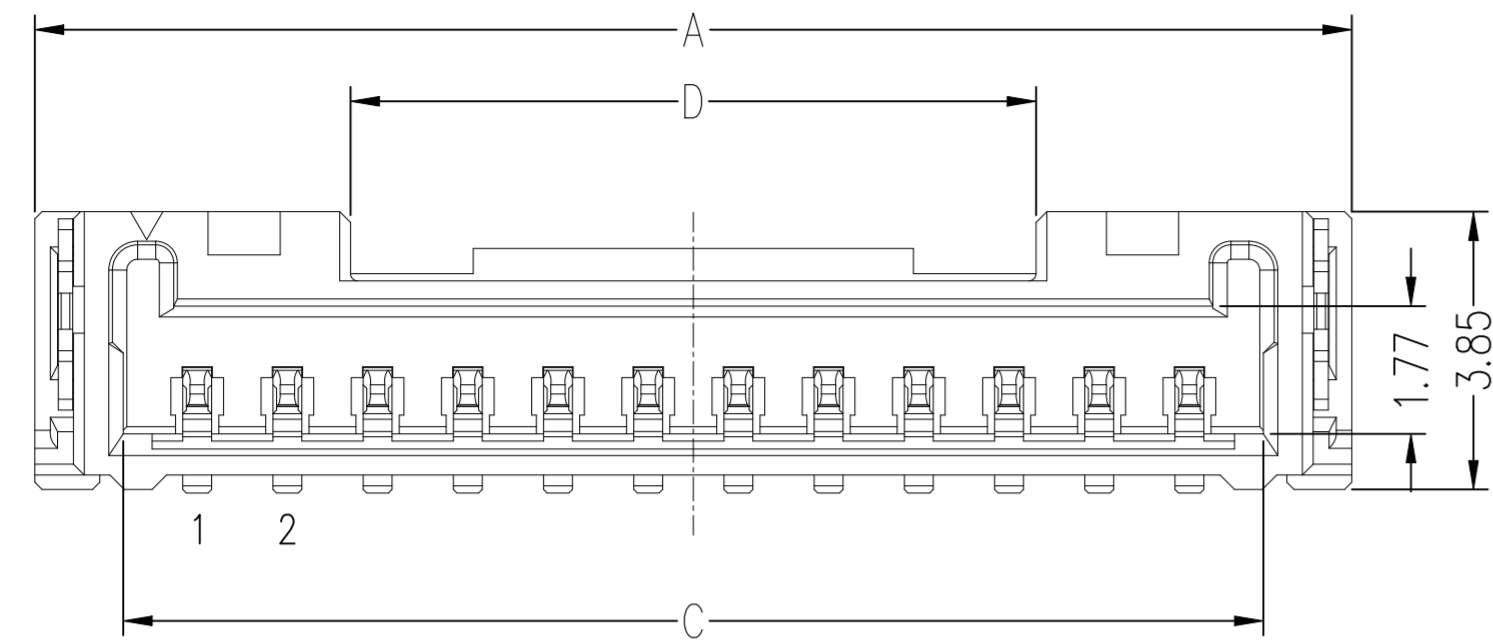
2496750

B

A

REVISIONS					
P	LTR	DESCRIPTION	DATE	DWN	APVD
-	-	SEE SHEET 1	-	-	-

# Drawing for THBL Type



RECOMMENDED P.C.B LAYOUT  
(COMPONENT SIDE)(TOLERANCE: ±0.05)

**NOTES:**

- 1,Current Rating: See Table
  - 2,Contact Resistance: 20mΩ Max
  - 3,Withstand Voltage: 500V AC
  - 4,Insulation Resistance: 100MΩ Min
  - 5,Operation Temperature: -40°C to +125°C
  - 6,Housing: High Temperature Plastics, UL94 V-0, Black
  - 7,Cap: High Temperature Plastics, UL94 V-0, Black
  - 8,Contact: Copper Alloy  
Matte Tin or 0.02μm[0.8u"] Gold over Nickel
  - 9,Nail: Copper Alloy  
Matte Tin over Nickel
- Recommended Process:  
IR Soldering,Peak Temperature: 260±5°C,5s

Rated Current at 23°C:

Size Wire \ Pins	2P	8P	16P
AWG#26	3.6A	2.4A	2.2A
AWG#28	3.1A	2.1A	1.8A
AWG#30	2.8A	1.8A	1.5A

PRODUCT FAMILY TABLE -THRU HOLE BOARD LOCK											
PINS	A	B	C	D	E	F	G	H	J	TCPN (TIN)	TCPN (GOLD)
1x2	5.75	1.25	3.50	2.20	0.85			4.90	0.55	2-2496750-2	6-2496750-2
1x3	7.00	2.50	4.75	3.15	1.15			6.15	0.60	2-2496750-3	6-2496750-3
1x4	8.25	3.75	6.00	4.40	1.40			7.40		2-2496750-4	6-2496750-4
1x5	9.50	5.00	7.25	5.65	2.65			8.65		2-2496750-5	6-2496750-5
1x6	10.75	6.25	8.50	6.90				9.90		2-2496750-6	6-2496750-6
1x7	12.00	7.50	9.55	7.00	3.90	/	/	11.15	0.85	2-2496750-7	6-2496750-7
1x8	13.25	8.75	10.80					12.40		2-2496750-8	6-2496750-8
1x9	14.50	10.00	12.05	9.50	6.10			13.65		2-2496750-9	6-2496750-9
1x10	15.75	11.25	13.30					14.90		3-2496750-0	7-2496750-0
1x11	17.00	12.50	14.55					16.15		3-2496750-1	7-2496750-1
1x12	18.25	13.75	15.80	11.00	7.60	14.60	12.30	17.40		3-2496750-2	7-2496750-2
1x13	19.50	15.00	17.05					18.65		3-2496750-3	7-2496750-3
1x14	20.75	16.25	18.30					19.90		3-2496750-4	7-2496750-4
1x15	22.00	17.50	19.55					21.15		3-2496750-5	7-2496750-5
1x16	23.25	18.75	20.80					22.40		3-2496750-6	7-2496750-6

THIS DRAWING IS A CONTROLLED DOCUMENT.		DWN Madhan S 10JAN2024		
		CHK JAGRUTI M 10JAN2024		
DIMENSIONS: mm		TOLERANCES UNLESS OTHERWISE SPECIFIED:		NAME
		0 PLC ± - 1 PLC ± - 2 PLC ± 0.25 3 PLC ± 0.15 4 PLC ± - ANGLES ± -		PRODUCT SPEC 108-161761 APPLICATION SPEC
MATERIAL		FINISH		SIZE A2 CAGE CODE 00779 DRAWING NO C=2496750 RESTRICTED TO -
		WEIGHT 0		SCALE 1:1 SHEET 2 of 6 REV A
CUSTOMER DRAWING				

4

3

2

1

© - TE Connectivity. All Rights Reserved.

REVISIONS

P	LTR	DESCRIPTION	DATE	DWN	APVD
-	-	SEE SHEET 1	-	-	-

Drawing for SMT Type

1x(2-6) PIN

1x(7-11) PIN

1x(12-13) PIN

1x14 PIN

1x(15-16) PIN

CAP DETAILS

1x(2-6) PIN

1x(7-16) PIN

1x(2-6) PIN

1x(7-16) PIN

THIS DRAWING IS A CONTROLLED DOCUMENT.		DWN Madhan S 10JAN2024		
		CHK JAGRUTI M 10JAN2024		
		APVD JAGRUTI M 06FEB2025	NAME -	
		PRODUCT SPEC 108-161761	1.25MM WTB HDR SMT & THBL	
		APPLICATION SPEC -	-	
MATERIAL -		FINISH -	WEIGHT 0	SIZE A2
			CAGE CODE 00779	DRAWING NO C=2496750
			SCALE 1:1	SHEET 3 of 6
			CUSTOMER DRAWING	REV A

2496750

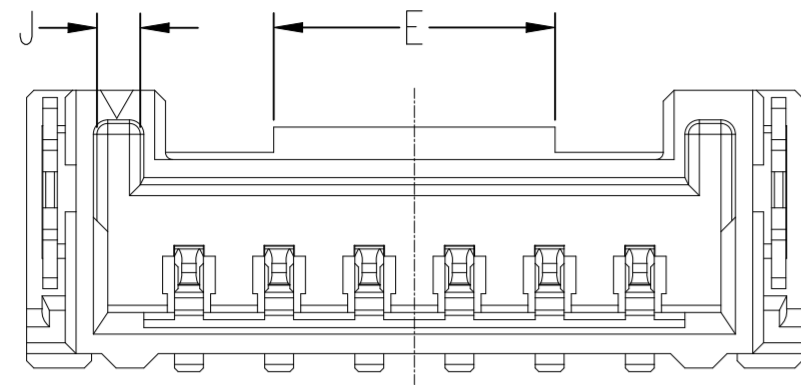
B

A

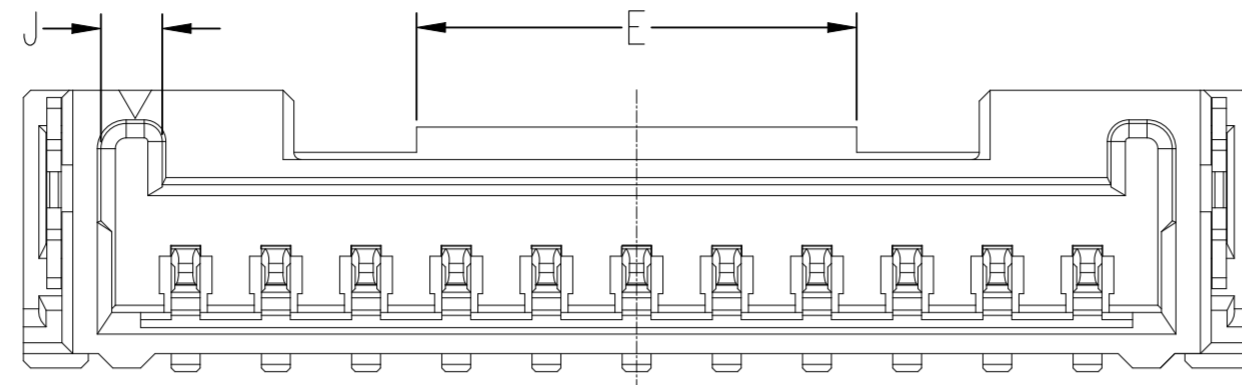
1471-9 (1/15)

REVISIONS					
P	LTR	DESCRIPTION	DATE	DWN	APVD
-	-	SEE SHEET 1	-	-	-

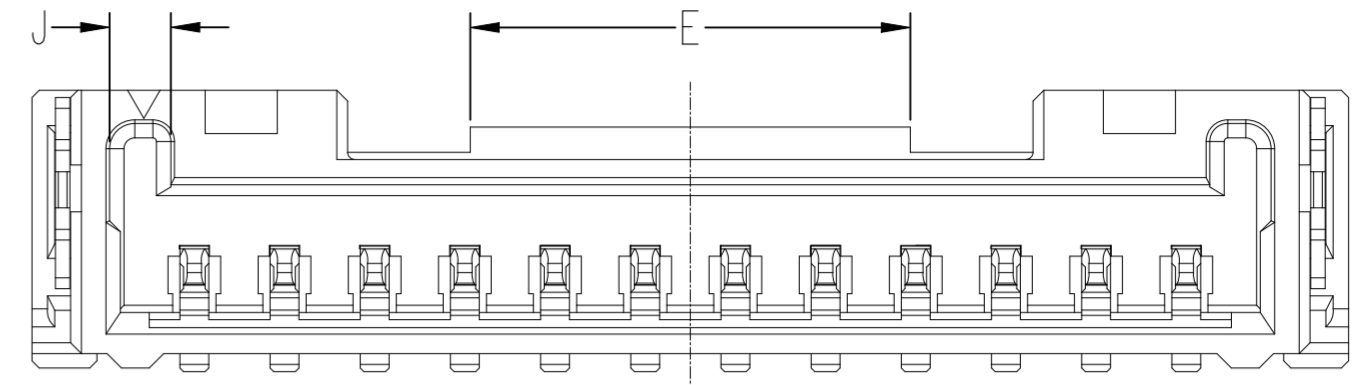
# Drawing for THBL Type



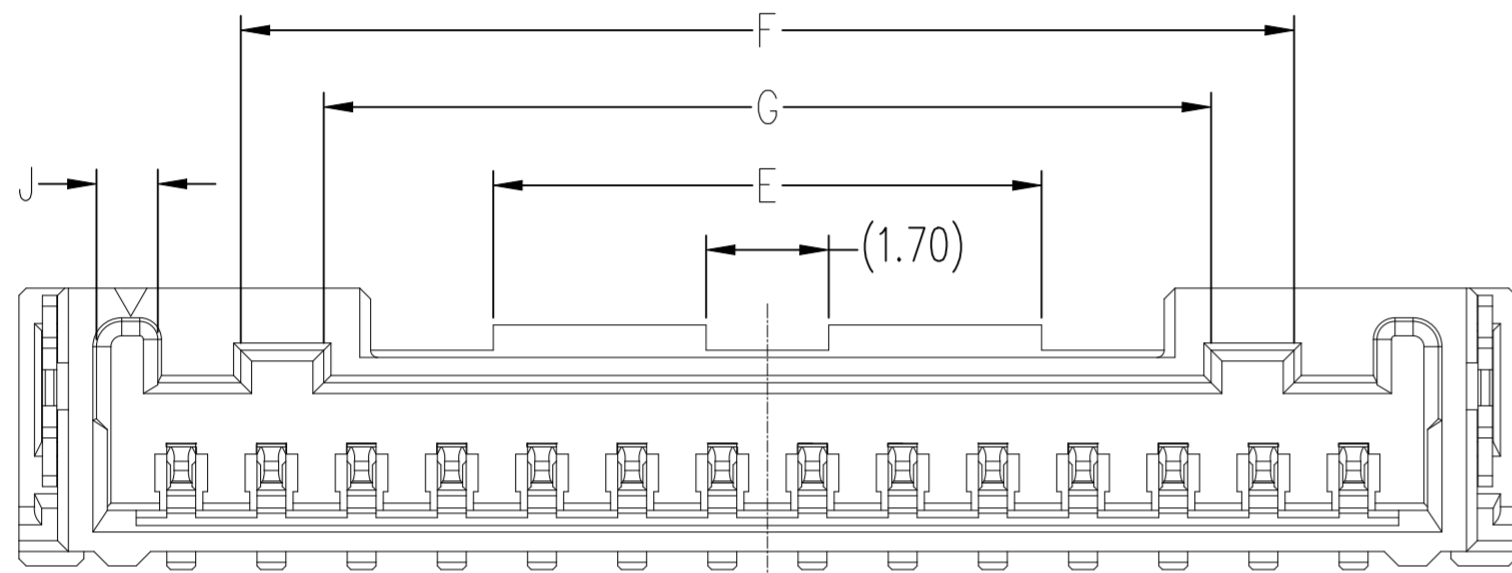
1x(2-6) PIN



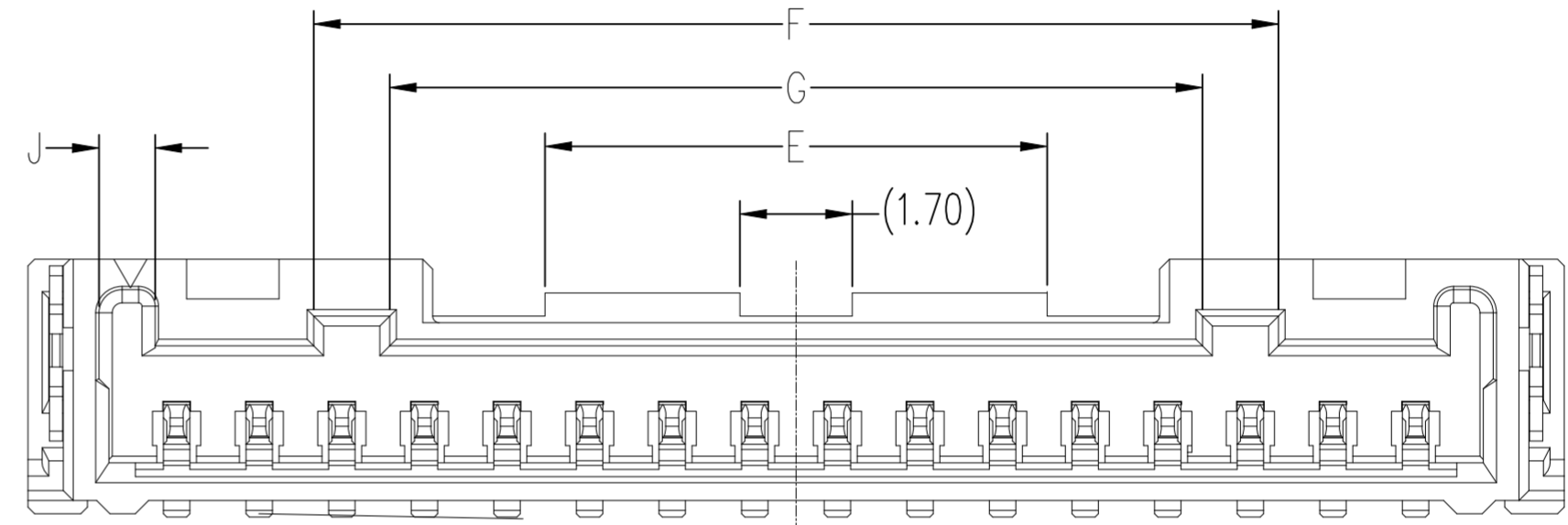
1x(7-11) PIN



1x(12-13) PIN

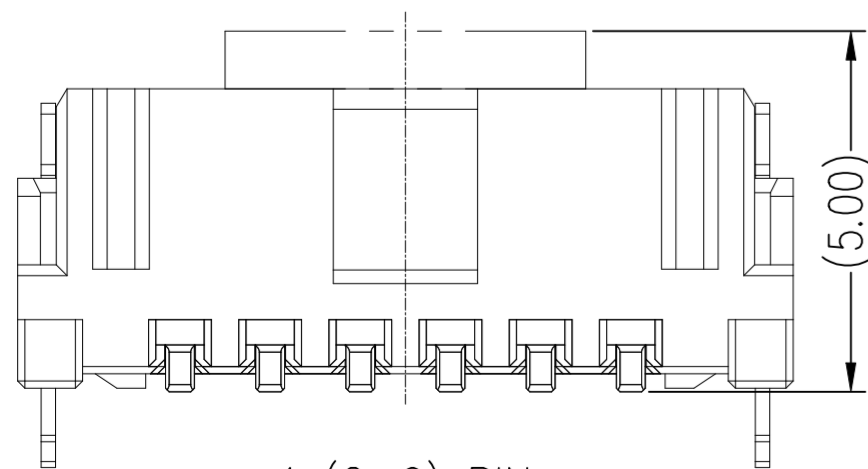
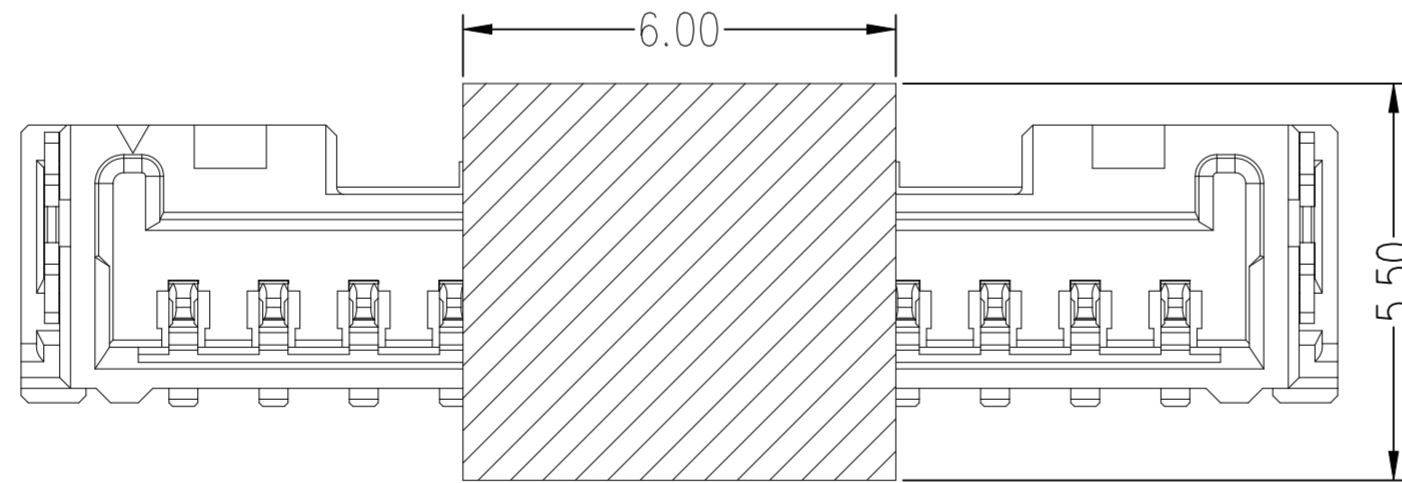
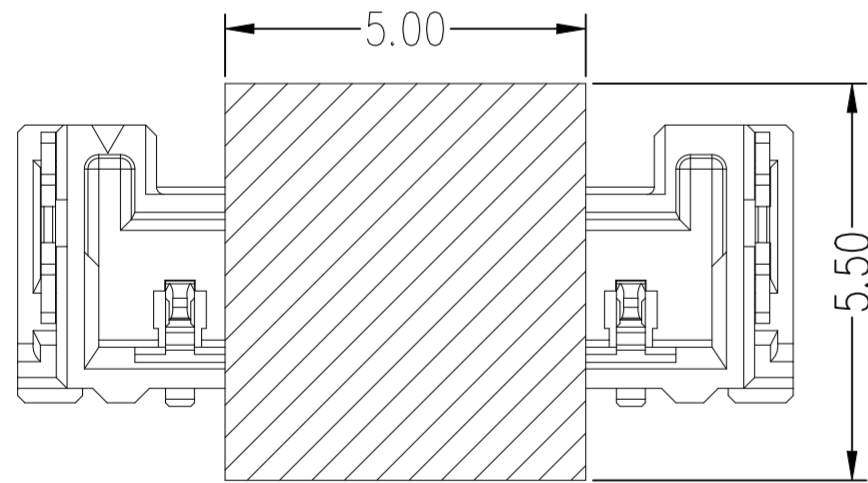


1x14 PIN

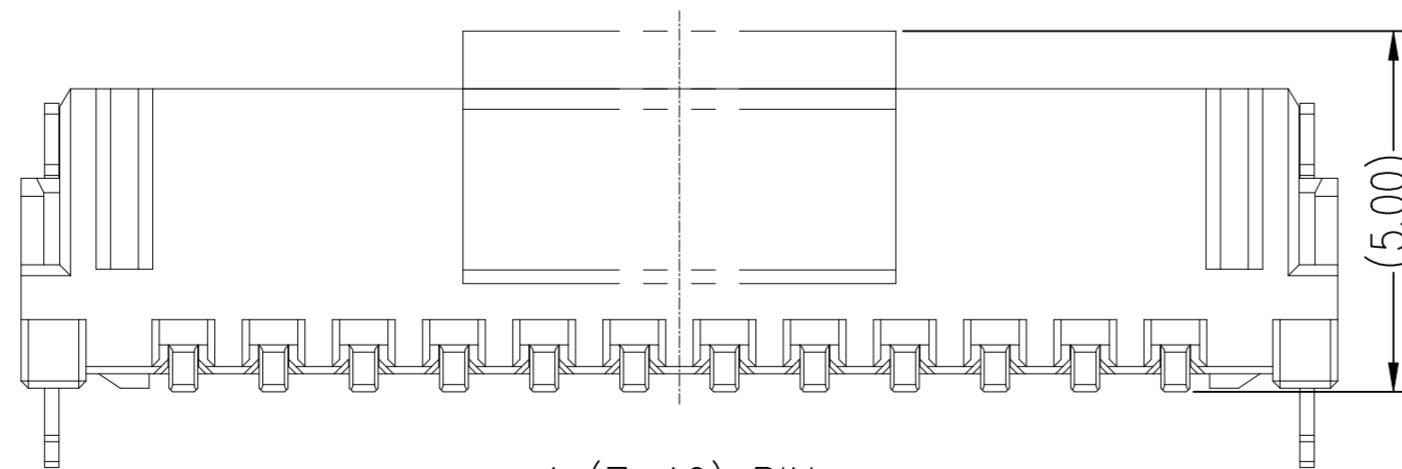


1x(15-16) PIN

## CAP DETAILS



1x(2-6) PIN

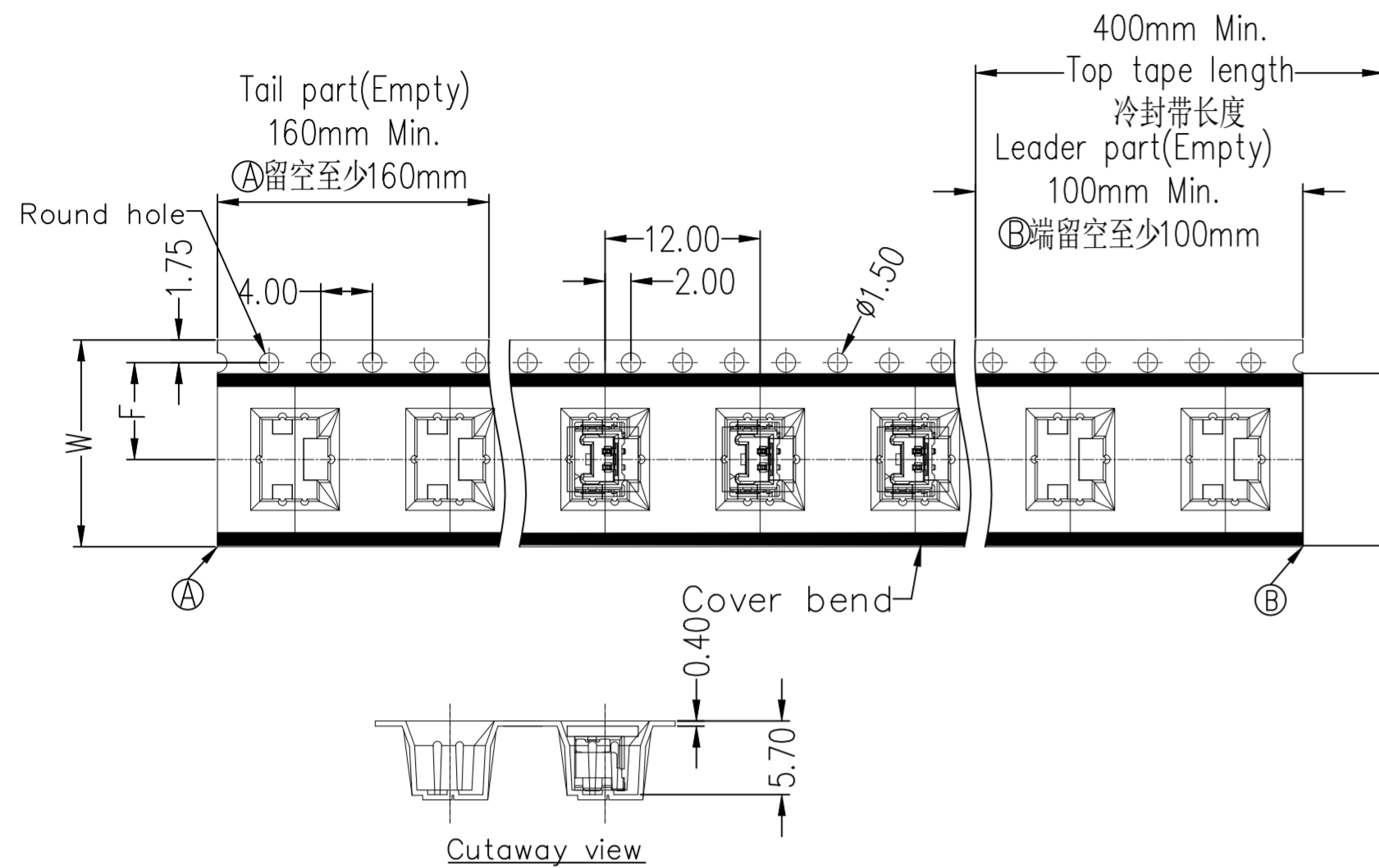


1x(7-16) PIN

THIS DRAWING IS A CONTROLLED DOCUMENT.		DWN Madhan S 10JAN2024			
		CHK JAGRUTI M 10JAN2024			
		APVD JAGRUTI M 06FEB2025	NAME		
		PRODUCT SPEC	-		
		APPLICATION SPEC	108-161761		
		WEIGHT 0	SIZE A2	CAGE CODE 00779	DRAWING NO C-2496750
		CUSTOMER DRAWING	SCALE 1:1	SHEET 4 of 6	REV A

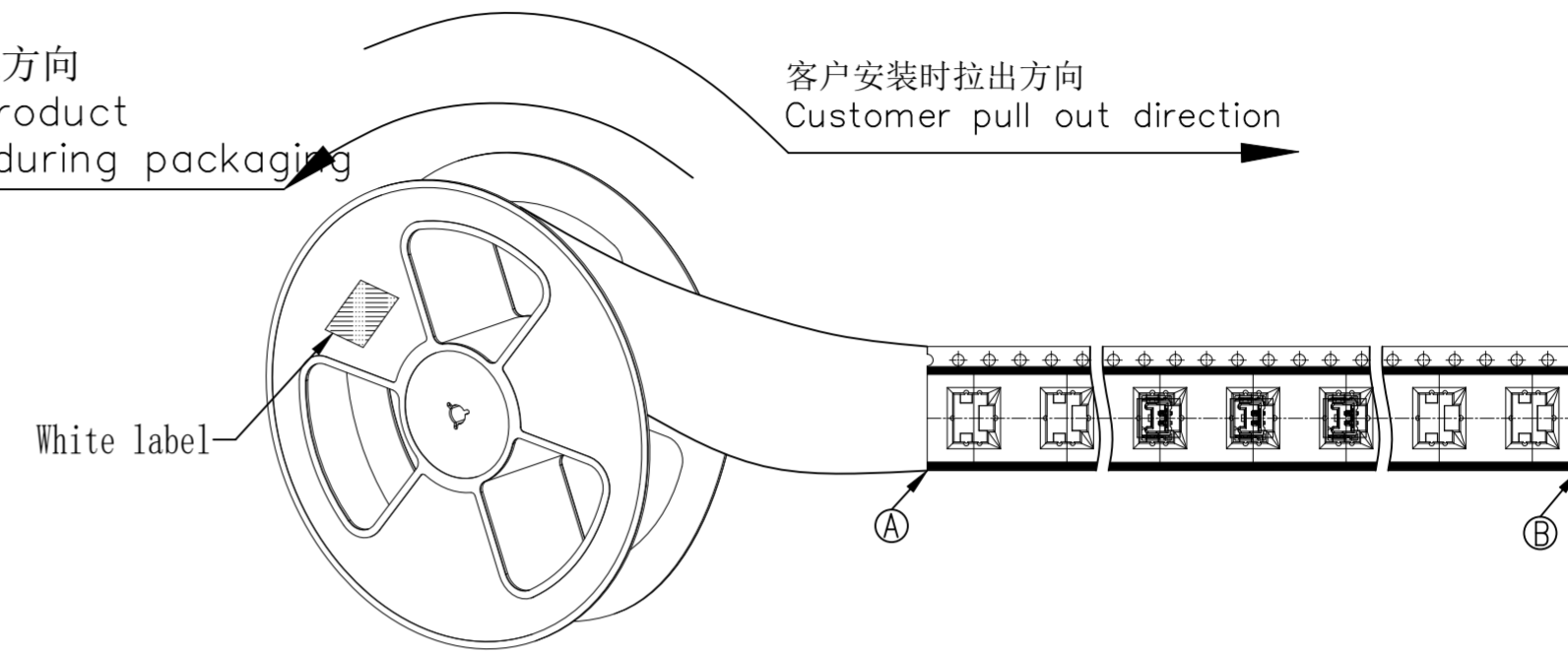
REVISIONS					
P	LTR	DESCRIPTION	DATE	DWN	APVD
-	-	SEE SHEET 1	-	-	-

# Packaging Drawing for SMT Type



包装时产品卷入方向  
Direction of product involvement during packaging

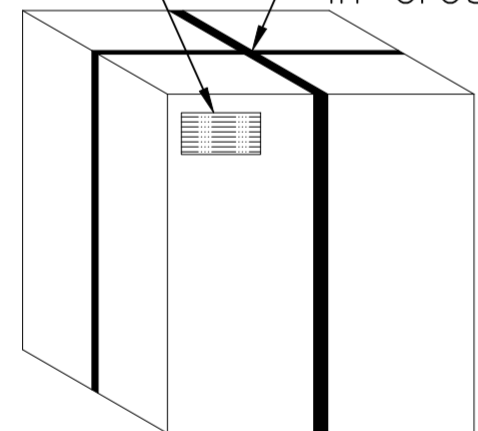
客户安装时拉出方向  
Customer pull out direction



### No.1:

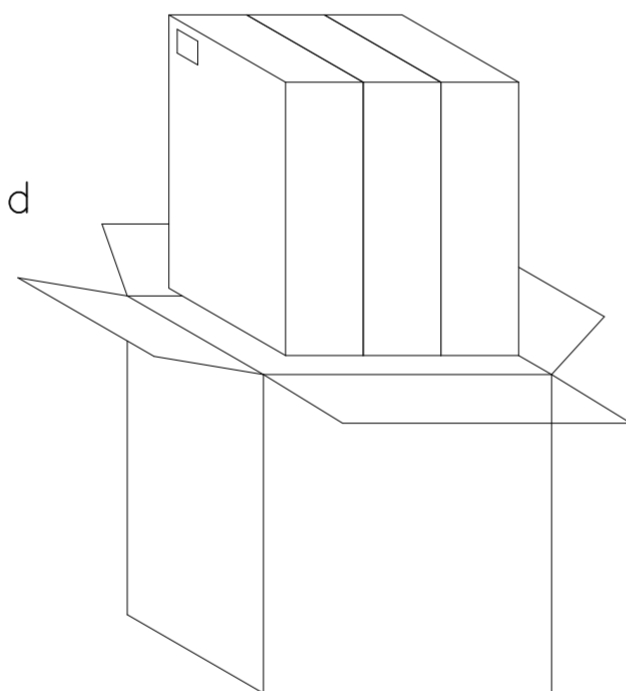
Before package, pay attention to leave more than 160mm(min) empty, after put the products into the carrier groove, packing with the cover bend then, Note: the tension between tape and cover bend is 30g~120g (1000PCS/Reel)

Environmental label  
Yellow packing bend in cross



Outer box: CTN-18K

**No.4:**  
Seal,pack,label.



White label

inner box: CTN-18E

**No.3:**  
Put inner box into outer box, (3pcs inner box/outer box, 12000PCS/outer box) pay attention to the unified label direction.

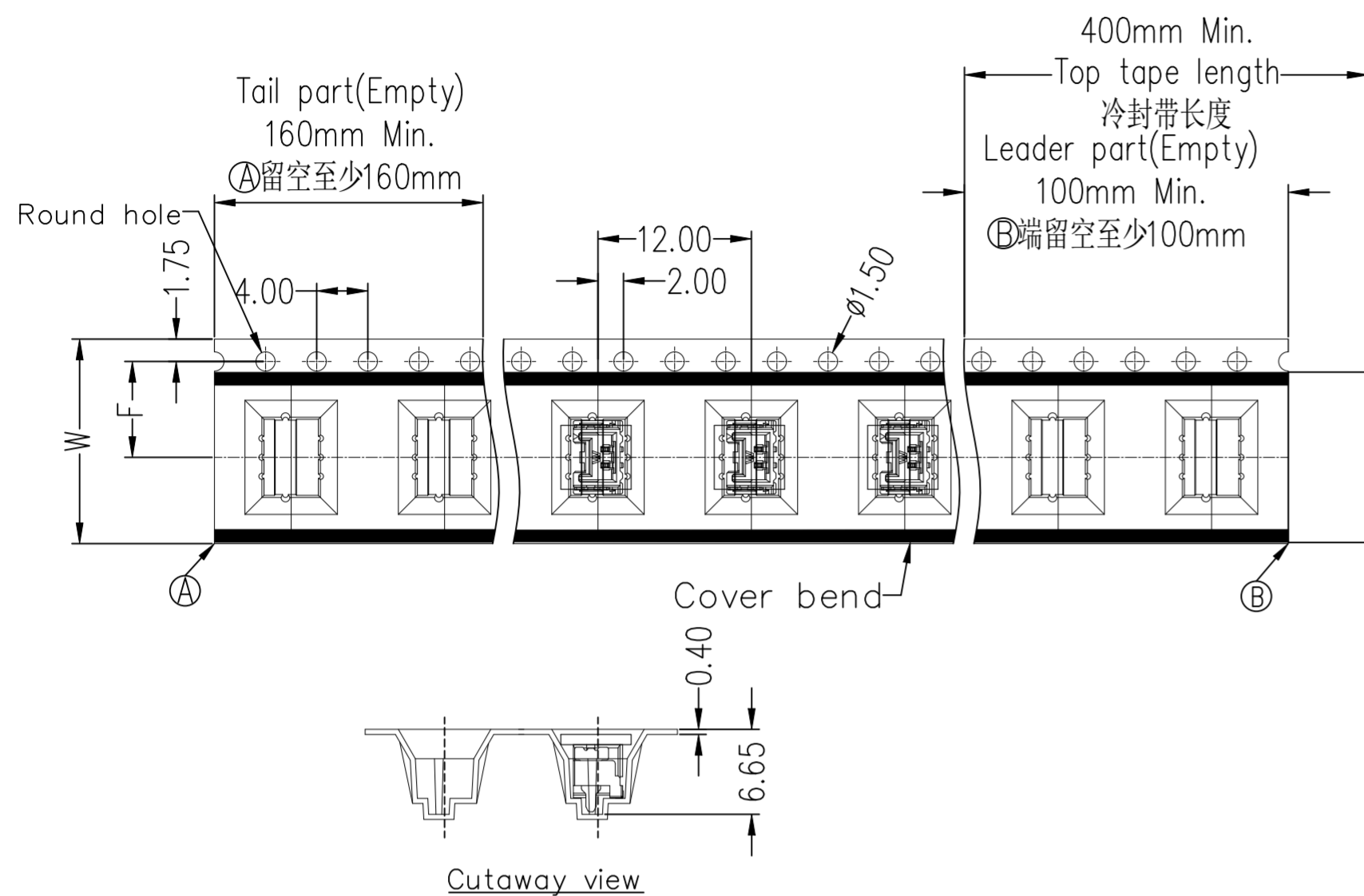
**No.2:**  
Pack the reel in the PE-32 waterproof bag packing, put 1pcs drying agent, seal it with vacuum machine and put it into the inner box, seal it with sealing glue, with labels. (4Reel/inner box, 4000PCS/inner box)

Pin	W	S	F	PCS/Reel	PCS/inner box	PCS/outer box
2	16.0±0.30	\	7.50±0.15	1000	4000	12000
3	16.0±0.30	\	7.50±0.15	1000	4000	12000
4	24.0±0.30	\	11.50±0.15	1000	3000	9000
5	24.0±0.30	\	11.50±0.15	1000	3000	9000
6	24.0±0.30	\	11.50±0.15	1000	3000	9000
7	24.0±0.30	\	11.50±0.15	1000	3000	9000
8	24.0±0.30	\	11.50±0.15	1000	3000	9000
9	24.0±0.30	\	11.50±0.15	1000	3000	9000
10	32.0±0.30	28.40±0.15	14.20±0.15	1000	2000	6000
11	32.0±0.30	28.40±0.15	14.20±0.15	1000	2000	6000
12	32.0±0.30	28.40±0.15	14.20±0.15	1000	2000	6000
13	32.0±0.30	28.40±0.15	14.20±0.15	1000	2000	6000
14	44.0±0.30	40.40±0.15	20.20±0.15	1000	2000	6000
15	44.0±0.30	40.40±0.15	20.20±0.15	1000	2000	6000
16	44.0±0.30	40.40±0.15	20.20±0.15	1000	2000	6000

THIS DRAWING IS A CONTROLLED DOCUMENT.		DWN Madhan S 10JAN2024		
DIMENSIONS: mm		CHK JAGRUTI M 10JAN2024		
TOLERANCES UNLESS OTHERWISE SPECIFIED: 0 PLC ± - 1 PLC ± - 2 PLC ± 0.25 3 PLC ± 0.15 4 PLC ± - ANGLES ± -		APVD JAGRUTI M 06FEB2025	NAME -	
MATERIAL		PRODUCT SPEC 108-161761	1.25MM WTB HDR SMT & THBL	
FINISH		APPLICATION SPEC	SIZE A2	RESTRICTED TO
		WEIGHT 0	CAGE CODE 00779	DRAWING NO C=2496750
		CUSTOMER DRAWING		SCALE 1:1
		SHEET 5 of 6		REV A

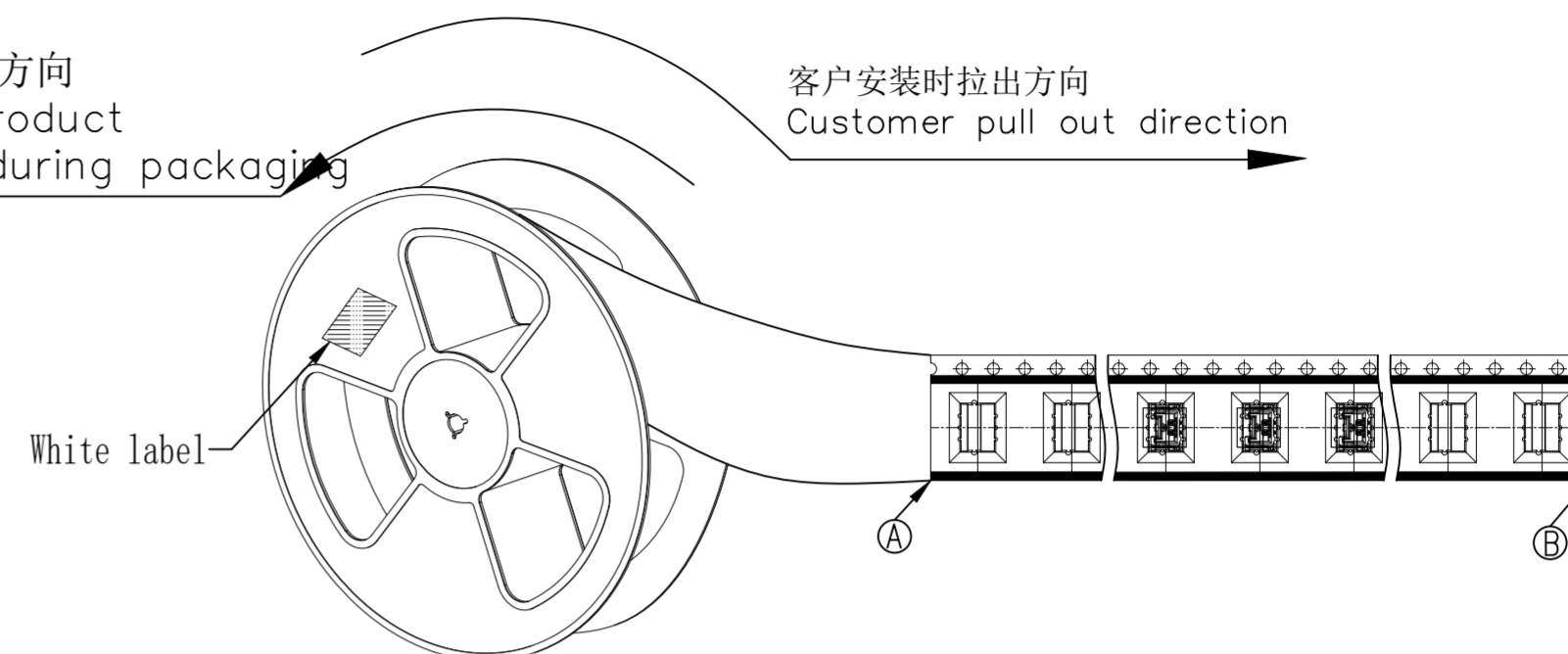
REVISIONS					
P	LTR	DESCRIPTION	DATE	DWN	APVD
-	-	SEE SHEET 1	-	-	-

# Packaging Drawing for THBL Type



包装时产品卷入方向  
Direction of product involvement during packaging

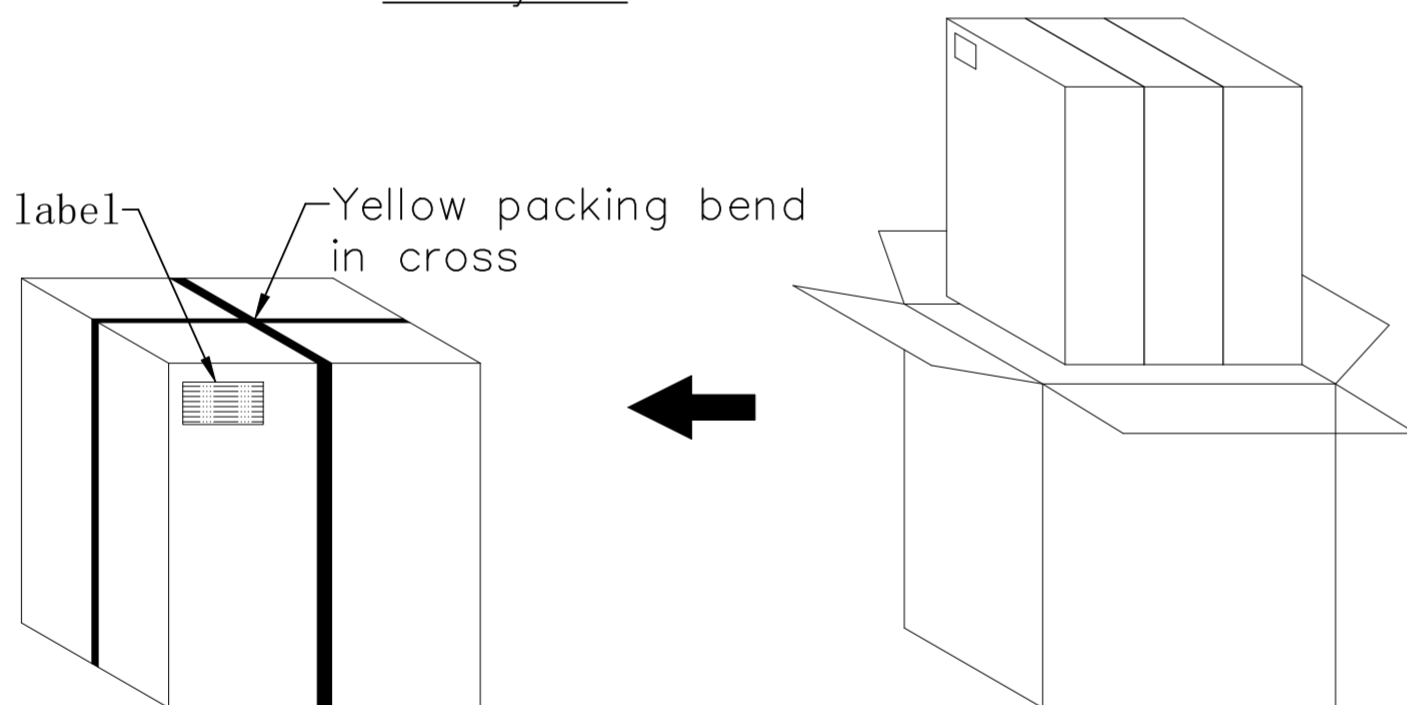
客户安装时拉出方向  
Customer pull out direction



### No.1:

Before package, pay attention to leave more than 160mm(min) empty, after put the products into the carrier groove, packing with the cover bend then, Note: the tension between tape and cover bend is 30g~120g (800PCS/Reel)

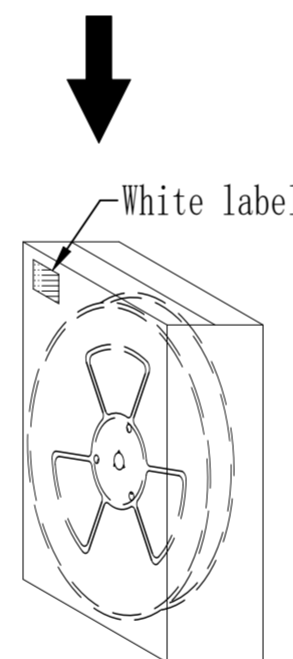
Environmental label  
Yellow packing bend in cross



Outer box: CTN-18K

**No.4:**  
Seal, pack, label.

**No.3:**  
Put inner box into outer box, (3pcs inner box/outer box, 9600PCS/outer box) pay attention to the unified label direction.



inner box: CTN-18E

**No.2:**  
Pack the reel in the PE-32 waterproof bag packing, put 1pcs drying agent, seal it with vacuum machine and put it into the inner box, seal it with sealing glue, with labels. (4Reel/inner box, 3200pcs/inner box)

PIN	W	S	F	PCS/Reel	PCS/inner box	PCS/outer box
02	16.0±0.30	/	7.50±0.15	800	3200	9600
03	24.0±0.30	/	11.50±0.15	800	2400	7200
04	24.0±0.30	/	11.50±0.15	800	2400	7200
05	24.0±0.30	/	11.50±0.15	800	2400	7200
06	24.0±0.30	/	11.50±0.15	800	2400	7200
07	24.0±0.30	/	11.50±0.15	800	2400	7200
08	24.0±0.30	/	11.50±0.15	800	2400	7200
09	24.0±0.30	/	11.50±0.15	800	2400	7200
10	32.0±0.30	28.40±0.15	14.20±0.15	800	1600	4800
11	32.0±0.30	28.40±0.15	14.20±0.15	800	1600	4800
12	32.0±0.30	28.40±0.15	14.20±0.15	800	1600	4800
13	44.0±0.30	40.40±0.15	20.20±0.15	800	1600	4800
14	44.0±0.30	40.40±0.15	20.20±0.15	800	1600	4800
15	44.0±0.30	40.40±0.15	20.20±0.15	800	1600	4800
16	44.0±0.30	40.40±0.15	20.20±0.15	800	1600	4800

THIS DRAWING IS A CONTROLLED DOCUMENT.

DIMENSIONS: mm	TOLERANCES UNLESS OTHERWISE SPECIFIED: 0 PLC ± - 1 PLC ± - 2 PLC ± 0.25 3 PLC ± 0.15 4 PLC ± - ANGLES ± -	DWN Madhan S 10JAN2024 CHK JAGRUTI M 10JAN2024 APVD JAGRUTI M 06FEB2025	NAME 1.25MM WTB HDR SMT & THBL
MATERIAL	FINISH	PRODUCT SPEC 108-161761	SIZE A2 CAGE CODE 00779 DRAWING NO. C=2496750
CUSTOMER DRAWING		WEIGHT 0	RESTRICTED TO
		SCALE 1:1	SHEET 6 OF 6 REV A