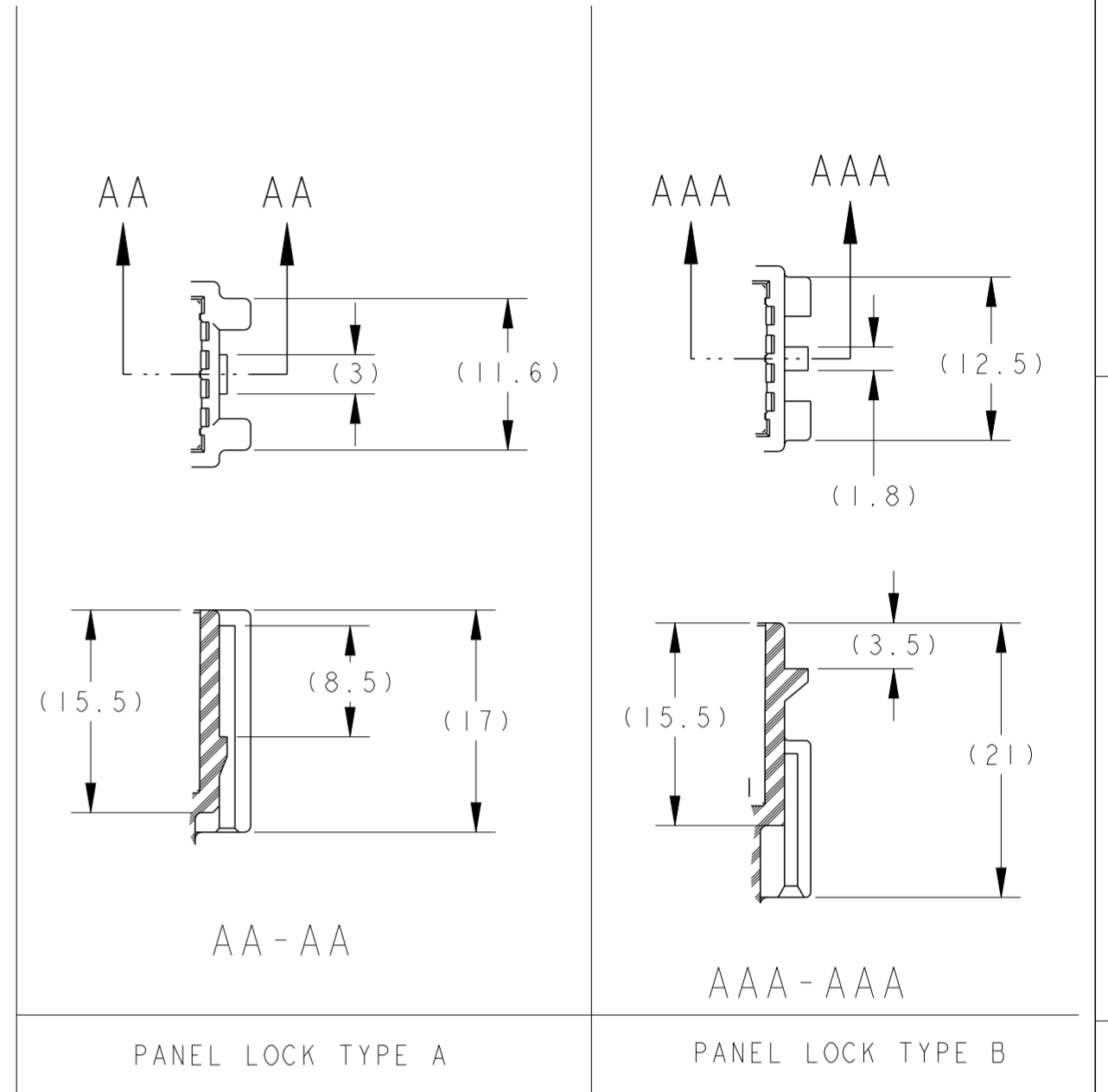
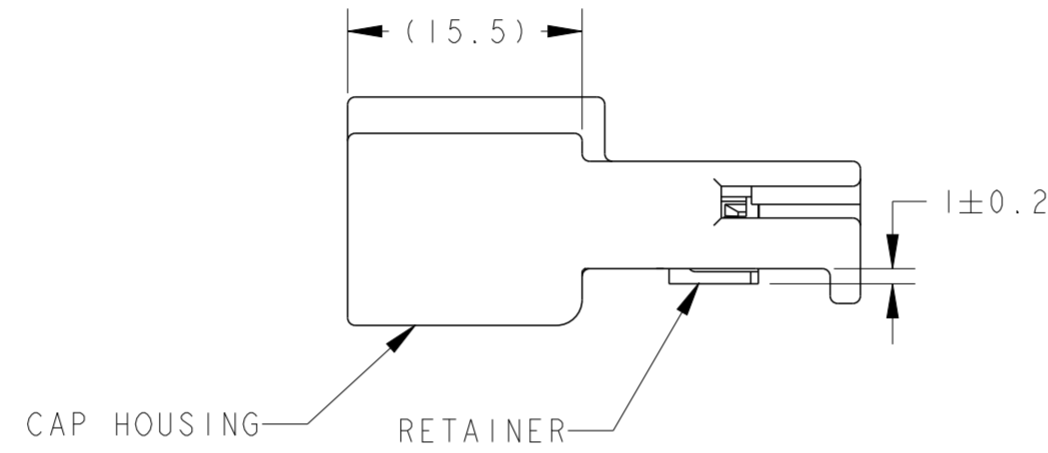
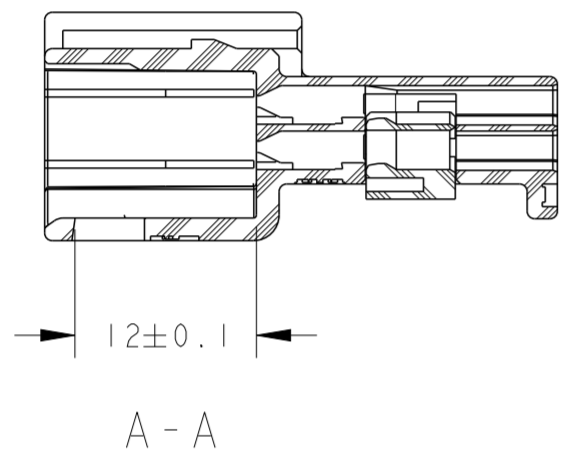
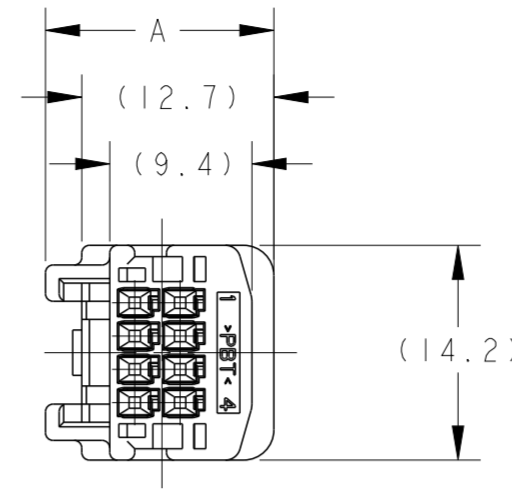
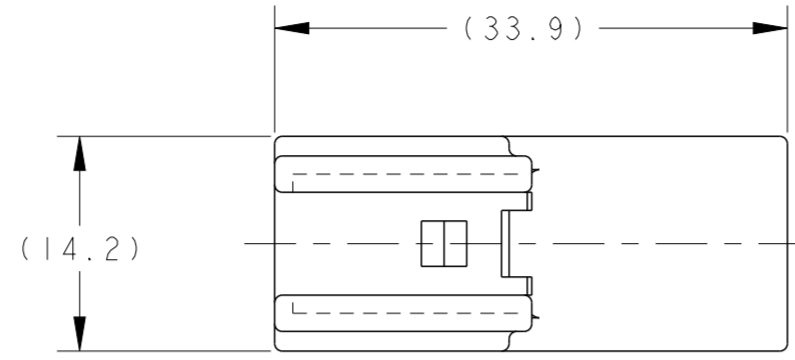
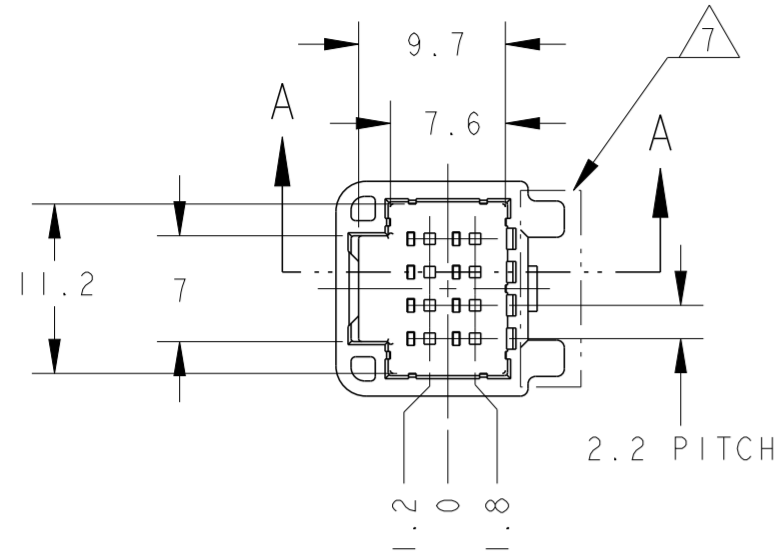


REVISIONS					
P	LTR	DESCRIPTION	DATE	DWN	APVD
B2		REVISED PER ECO-11-005140	09APR2011	RK	HMR
B3		REVISED ECR-25-239754	31MAR2025	AY	KY



1. RETAINER SHOULD BE SET TO THE CAP HOUSING WHEN SHIPPED TO THE CUSTOMER
 2. RETAINER MUST BE OUT SIDE OF CAP HOUSING AT PRE-ASSEMBLY
 3. INSTRUCTION SHEET NO.411-78011.
 4. PART NUMBER OF PLUG HOUSING TO BE MATED; SEE TABLE-1
 5. APPLICABLE TERMINAL; TABLE-2
 6. RECOMMENDED MATING PANEL LOCK; SEE SHEET 2 OF 2
- △. 2 PANEL LOCK FORM.

1. キャップハウジングにリテーナを仮係止して出荷される。
 2. 仮係止時、リテーナがハウジングの外側に出ている。
 3. 取扱説明書NO.411-78011
 4. 嵌合型番; TABLE-1参照
 5. 適用端子; TABLE-2参照
 6. パネルロック推奨嵌合相手形状; SHEET 2 OF 2参照
- △. パネルロック形状は、2種類ある。

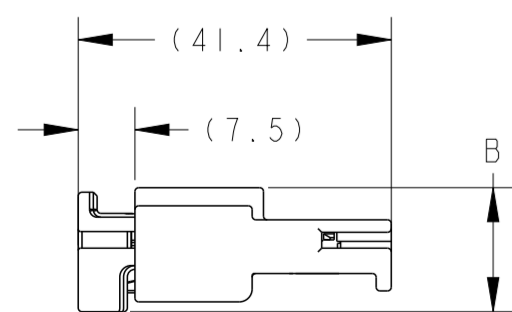
TABLE - 1

POS 極数	TERMINATION TYPE 結線方式	PLUG ASSEMBLY PART NO. 嵌合相手型番
8	CRIMP	1376352

TABLE - 2

TYPE 端子種類	FINISH	APPLICABLE TERMINAL PN	APPLICABLE WIRE RANGE 適用電線
SIGNAL 025	TIN	1674742-1	AVSS/CAVS/CAVUS/AVSSH-f 0.3~0.5mm ²

PAPER BOX ダンボール箱	PLASTIC BAG ビニール袋	(16)	(14.7)	TYPE B	NATURAL	1565804-2
PAPER BOX ダンボール箱	PLASTIC BAG ビニール袋	(16.4)	(15.1)	TYPE A	NATURAL	1565804-1
OUTER 外表	INNER 内装	B	A	PANEL LOCK パネル・ロック形状	COLOR 色	PN 型番
PACKING STYLE 梱包形態		DIMENSION 寸法				



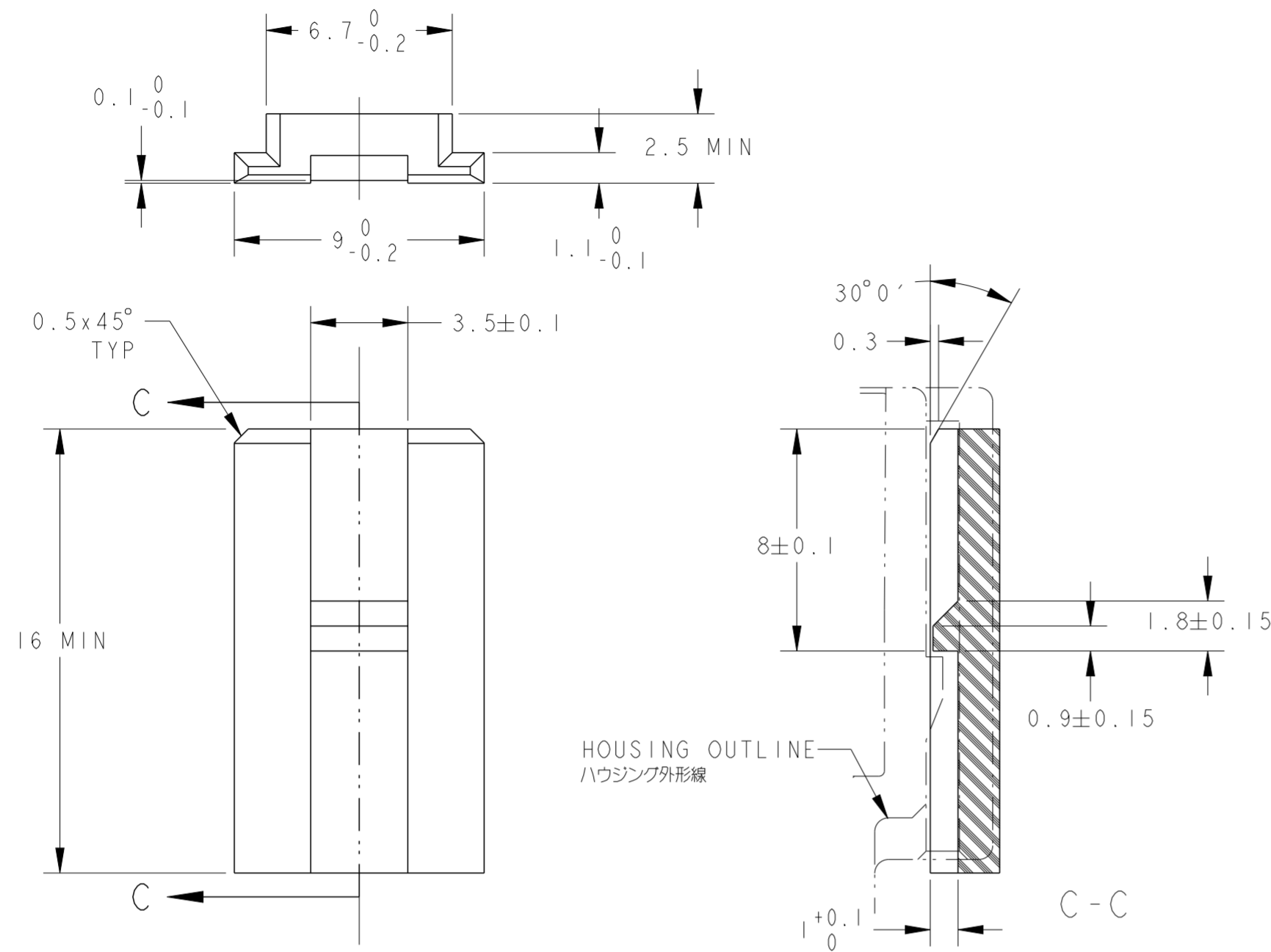
ENGAGEMENT VIEW
嵌合状態
SCALE 1:1

THIS DRAWING IS A CONTROLLED DOCUMENT.

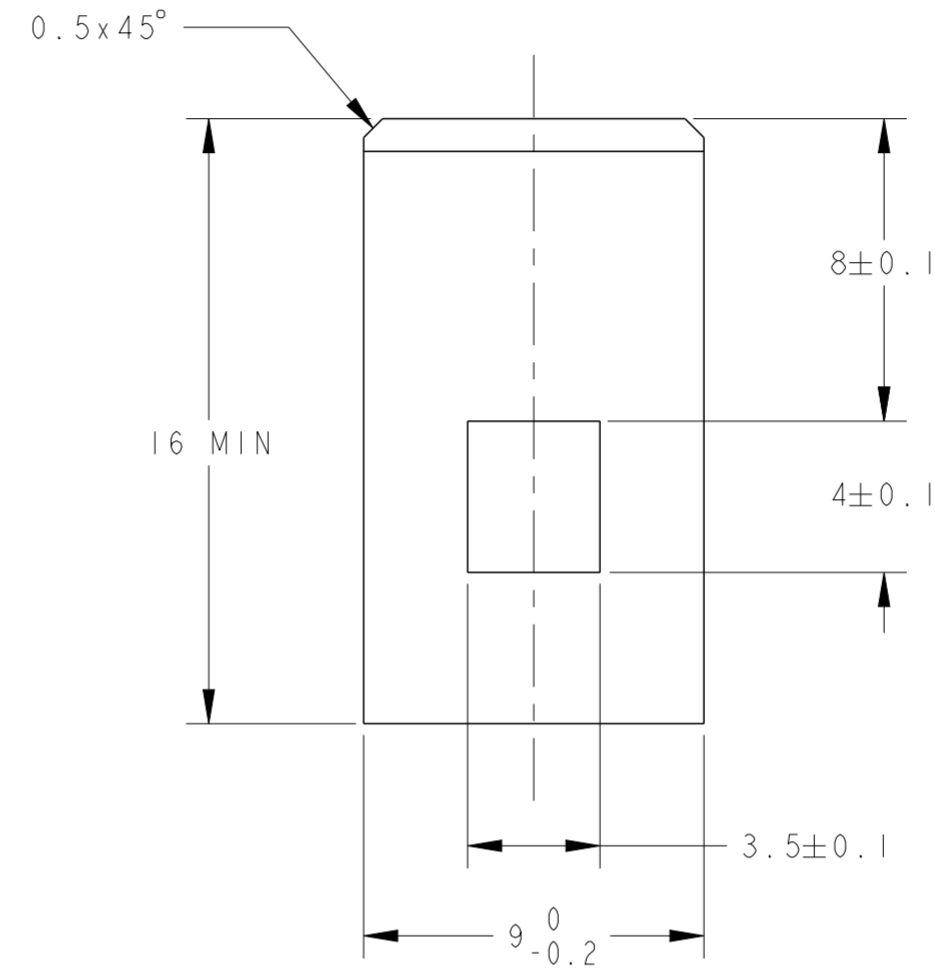
DIMENSIONS: mm	TOLERANCES UNLESS OTHERWISE SPECIFIED: ±0.3	DWN Y. MITO 6FEB02	TE Connectivity
	0-PLC ±0.5	CHK T. KOHNO 6FEB02	
	1-PLC ±0.5	APVD N. SAI 6FEB02	
	2-PLC ±0.13	PRODUCT SPEC 108-5787	
MATERIAL PBT	FINISH SEE TABLE	APPLICATION SPEC 114-5340	NAME 025 G W-W CONNECTOR 8POSITION CAP HOUSING ASSEMBLY
		WEIGHT 3.1 g	SIZE A200779
		CUSTOMER DRAWING	DRAWING NO C-1565804
		SCALE 2:1	RESTRICTED TO
		SHEET 1 OF 2	REV B3

P	LTR	DESCRIPTION	DATE	DWN	APVD
-	-	SEE SHEET 1	-	-	-

MATING TO TYPE A

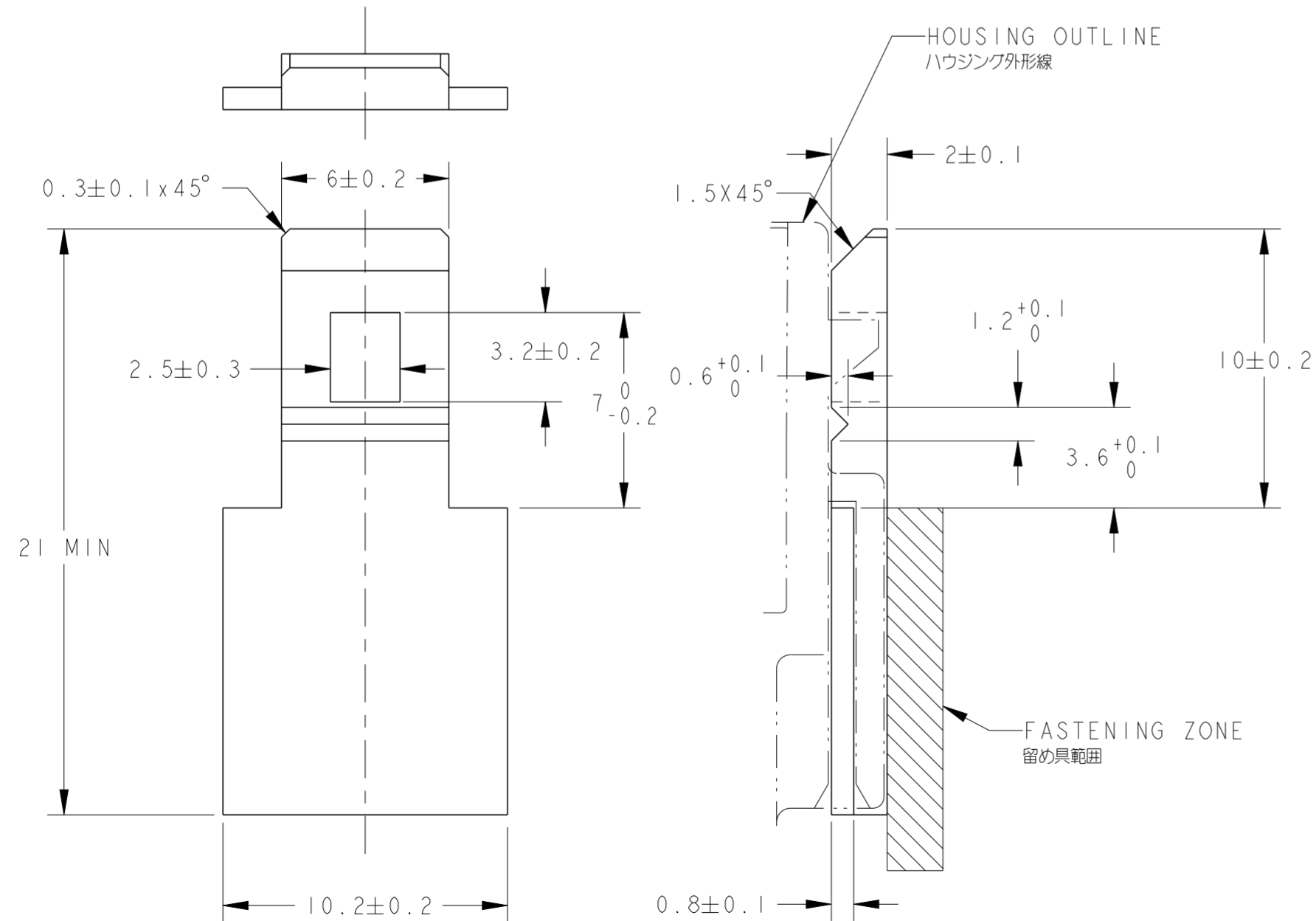


MATERIAL: PLASTIC 材料: 樹脂



MATERIAL: METAL 材料: 金属

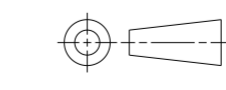
MATING TO TYPE B



MATERIAL: PLASTIC 材料: 樹脂

THIS DRAWING IS A CONTROLLED DOCUMENT.

DIMENSIONS: mm



MATERIAL SEE NOTE

TOLERANCES UNLESS OTHERWISE SPECIFIED:
 ±0.15
 1-PLC ±
 1-PLC ±0.1
 2-PLC ±0.01
 3-PLC ±0.001
 4-PLC ±0.0004
 ANGLES ±3°00'
 FINISH

DWN N. YASUDA 23APR02
 CHK T. KOHNO 23APR02
 APVD N. SAI 23APR02
 PRODUCT SPEC SEE 1 OF 2
 APPLICATION SPEC SEE 1 OF 2
 WEIGHT SEE 1 OF 2
 CUSTOMER DRAWING

STE TE Connectivity

NAME: 025 G W-W CONNECTOR 8POSITION CAP HOUSING ASSEMBLY

SIZE: A2 CAGE CODE: 00779 DRAWING NO: C-1565804

RESTRICTED TO: -

SCALE: 5:1 SHEET 2 OF 2 REV B3