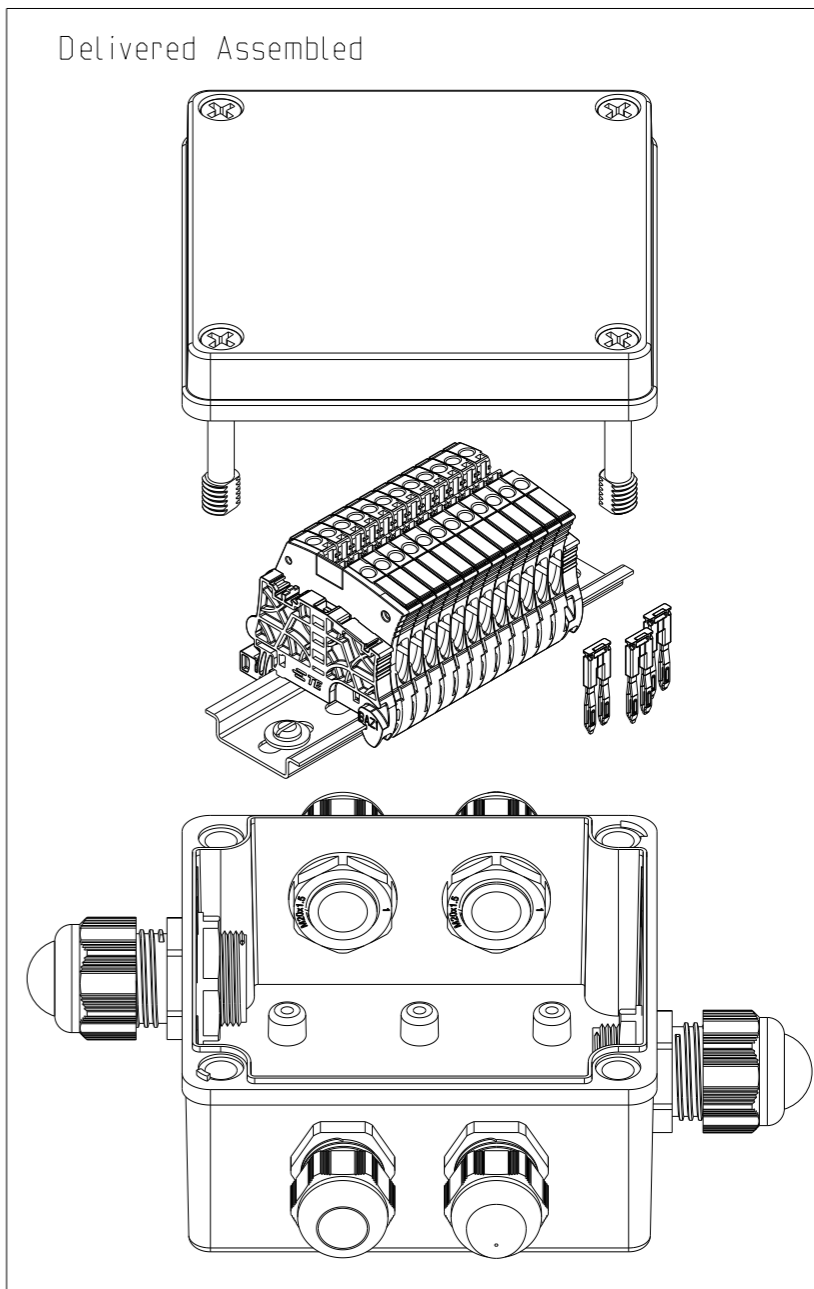
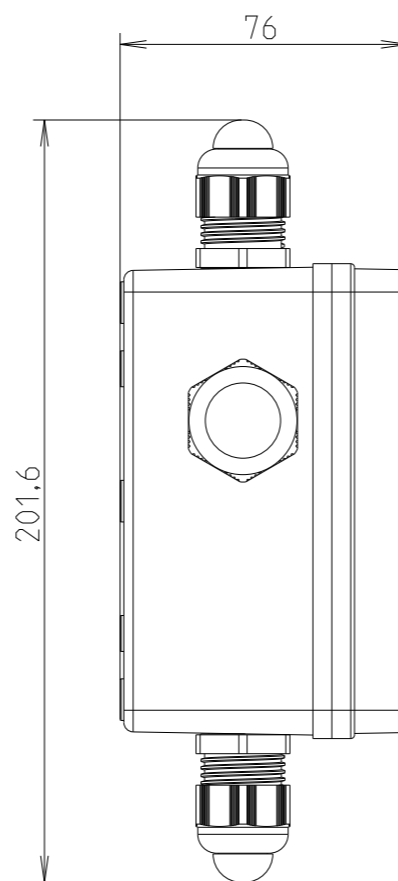
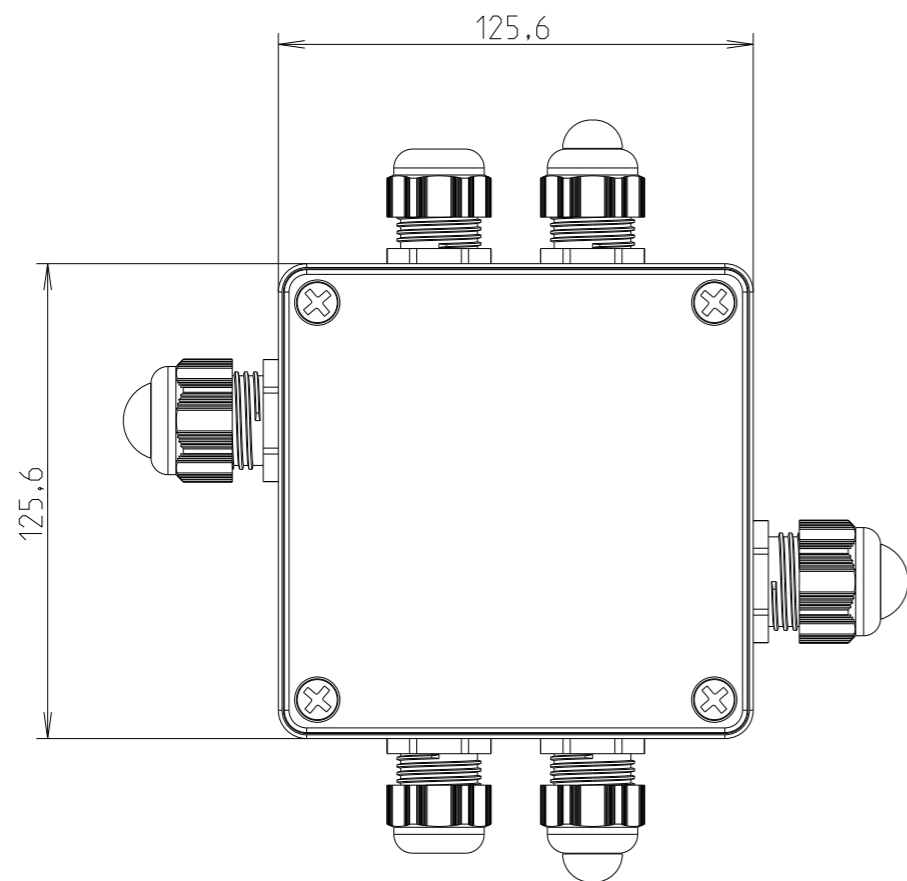
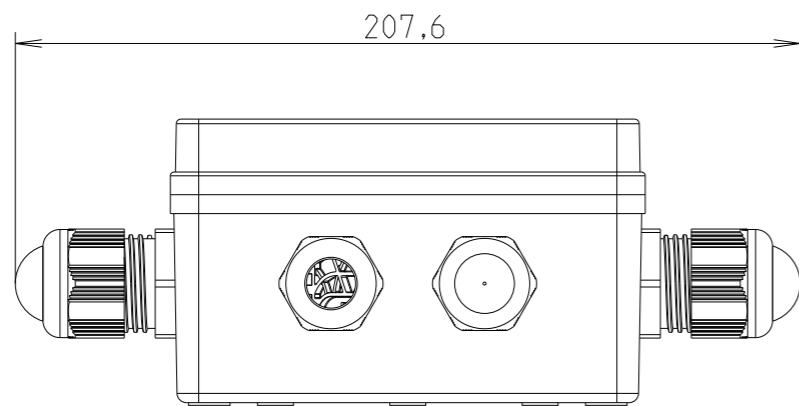
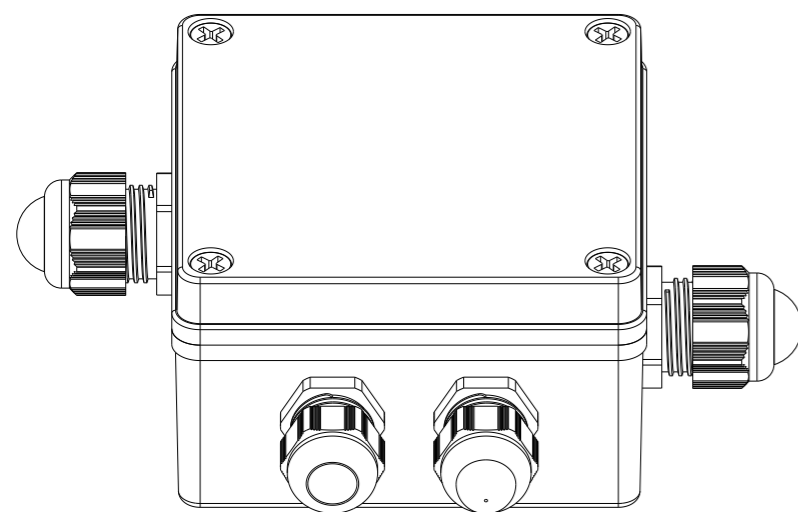


P	LTR	DESCRIPTION	DATE	DWN	APVD
	1	First release	11OCT2023	VA	LW



Isometric View



THIS DRAWING IS A CONTROLLED DOCUMENT.

DIMENSIONS: mm		TOLERANCES UNLESS OTHERWISE SPECIFIED:	
		0 PLC	±
		1 PLC	±0.1
		2 PLC	±0.01
		3 PLC	±0.005
		4 PLC	±0.0001
MATERIAL		FINISH	
-		-	

DWN	2023-10-11
CHK	Viplovvet, Annie
APVD	
PRODUCT SPEC	-
APPLICATION SPEC	-
WEIGHT	564,165
CUSTOMER DRAWING	

		TE Connectivity	
		PRELIMINARY	
NAME		JB 12PNT SCREW	
		1SNS470000Z0209	
SIZE	CAGE CODE	DRAWING NO	RESTRICTED TO
A3	00779	©-1SNP300513-0100	-
SCALE		SHEET	REV
1:2		1 OF 1	1