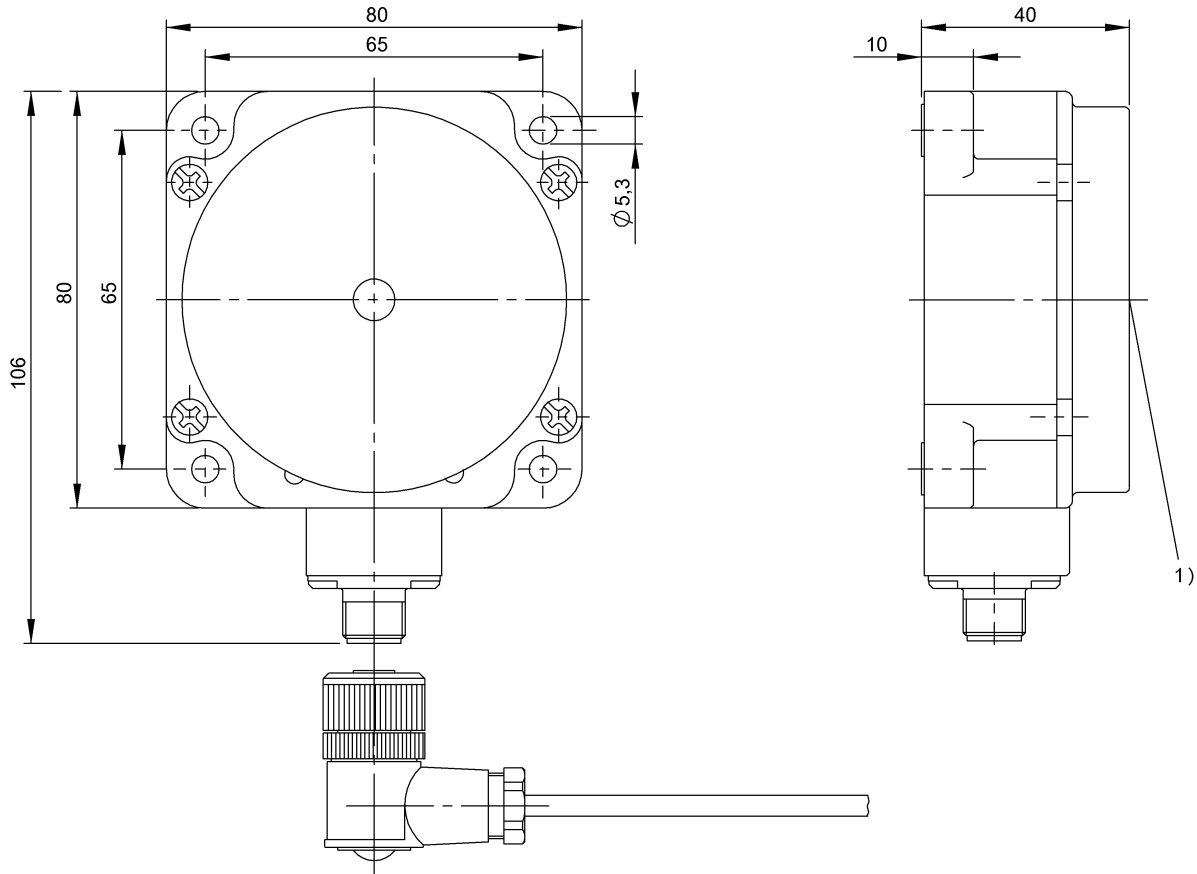


LF (70/455 kHz)  
 BIS C-315/05-S4  
 Order Code: BIS006Y

**BALLUFF**



1) Sensing surface



**Basic features**

Antenna type	round
Approval/Conformity	CE UKCA cULus WEEE
EN 55011	Size 1, Cl. A
Principle of operation	Read/write head

**Electrical connection**

Connection	M12x1-Male
------------	------------

**Environmental conditions**

Ambient temperature	0...70 °C
Continuous shock load	yes
EN 60068-2-27, Shock	yes
EN 60068-2-32 Free fall	yes
EN 60068-2-6, Vibration	yes
IP rating	IP67
Storage temperature	-20...85 °C

**Functional safety**

MTTF (40 °C)	15080 a
--------------	---------

**Material**

Housing material	PBT
------------------	-----

**Mechanical data**

Application weight	410.00 g
Dimension	80 x 40 x 80 mm
Installation	metal-free (clear zone) on metal flush in metal

LF (70/455 kHz)  
BIS C-315/05-S4  
Order Code: BIS006Y

**BALLUFF**

#### Remarks

---

Only together with converter BIS C-901 or BIS C-6xx

Specified relative speed refers to reading/writing the first 4 bytes from the first page.

For basic equipment order cable also, e.g.: BIS C-505-PU1-05 BIS C-505-PU-05 BIS C-506-PU1-05 BIS C-506-PU-05 BIS C-517-PVC-05 BIS C-518-PVC-05

Time specification includes data check.

Values are under rated conditions unless otherwise specified.

For more information about MTTF and B10d see MTTF / B10d Certificate

Indication of the MTTF- / B10d value does not represent a binding composition and/or life expectancy assurance; these are simply experiential values with no warranty implications. These declared values also do not extend the expiration period for defect claims or affect it in any way.

Help Views

**BIS C-315-\_\_**

	BIS C-104-_/A bündig / flush	BIS C-108-_/L nicht bündig / non-flush	BIS C-108-_/L-SA2 nicht bündig / non-flush	BIS C-117-05/A bündig / flush	BIS C-117-05/L nicht bündig / non-flush	BIS C-127-05/L nicht bündig / non-flush	BIS C-128-_/L nicht bündig / non-flush	BIS C-130-05/L nicht bündig / non-flush	BIS C-133-_/L nicht bündig / non-flush	BIS C-134-11/L nicht bündig / non-flush	BIS C-190-_/L nicht bündig / non-flush		
passende Datenträger Appropriate data carriers													
<b>statischer Betrieb</b>													
<b>Static mode</b>													
Schreibabstand in mm Write distance in mm	1-13	2-16	2-16	0-15	0-18	10-30	0-18	0-18	0-15	0-16	0-20		
Leseabstand in mm Read distance in mm	1-13	2-16	2-16	0-15	0-18	10-30	0-18	0-18	0-15	0-16	0-20		
Versatz in mm bei Abstand von	0,7												
	1	±15	±15	±15	±17	±30	±17	±16	±17	±16	±18		
	2												
	3	±14	±14	±15	±17	±30	±17	±16	±15	±16	±18		
	4												
	5	±11	±12	±14	±17	±30	±17	±16	±15	±16	±18		
	6												
	7	±10	±11	±12	±15	±30	±15	±14	±14	±14	±18		
	10	±8	±8	±12	±15	±30	±15	±14	±14	±12	±18		
	15				±14	±27	±14	±11			±16		
	20					±20							
	35												
	42												
	60												