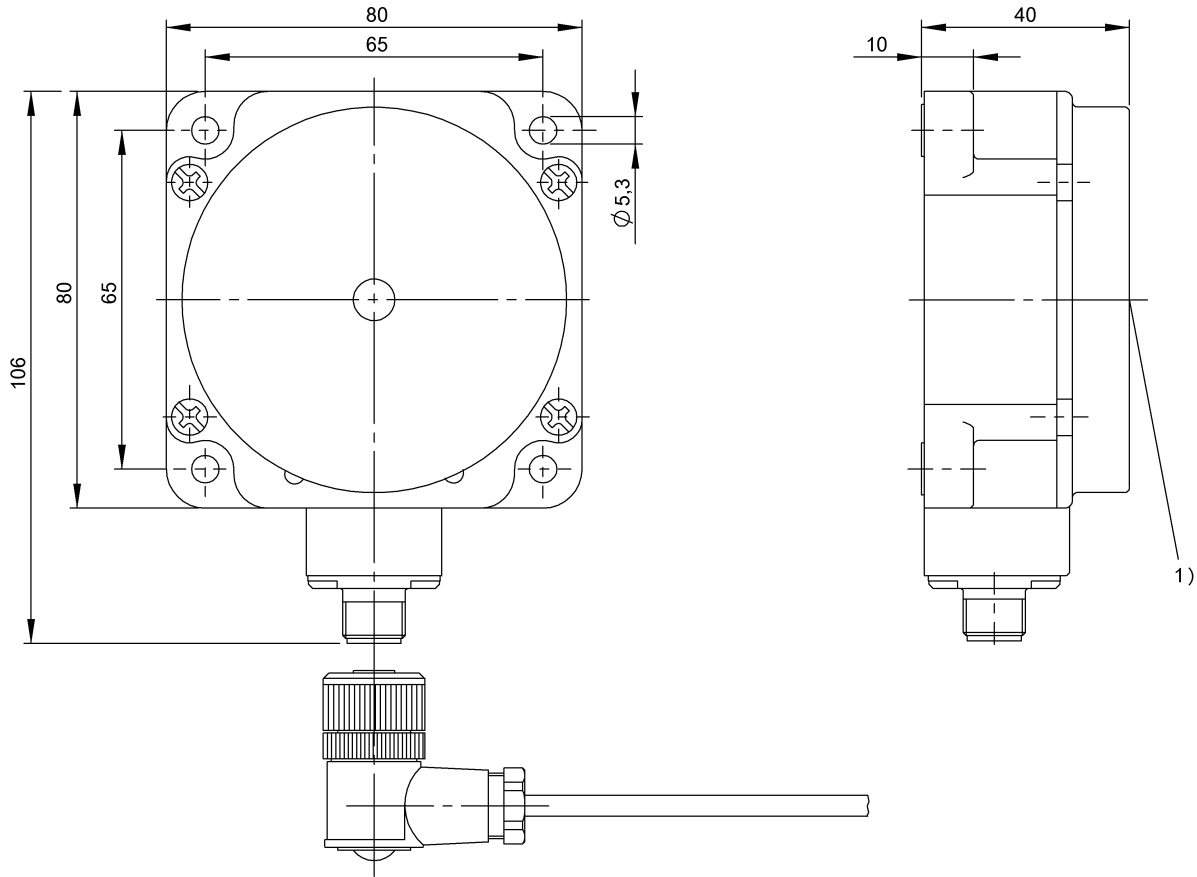


LF (70/455 kHz)
 BIS C-315/10-S4
 Order Code: BIS006Z

BALLUFF



1) Sensing surface



Basic features

Antenna type	round
Approval/Conformity	CE UKCA cULus WEEE
EN 55011	Size 1, Cl. A
Principle of operation	Read/write head

Electrical connection

Connection	M12x1-Male
------------	------------

Environmental conditions

Ambient temperature	0...70 °C
Continuous shock load	yes
EN 60068-2-27, Shock	yes
EN 60068-2-32 Free fall	yes
EN 60068-2-6, Vibration	yes
IP rating	IP67
Storage temperature	-20...85 °C

Functional safety

MTTF (40 °C)	15080 a
--------------	---------

Material

Housing material	PBT
------------------	-----

Mechanical data

Application weight	410.00 g
Dimension	80 x 40 x 80 mm
Installation	metal-free (clear zone) on metal flush in metal

LF (70/455 kHz)
BIS C-315/10-S4
Order Code: BIS006Z

BALLUFF

Remarks

ATTENTION: 10m cable length reduces the read/write distance by 10 %

Specified relative speed refers to reading/writing the first 4 bytes from the first page.

For basic equipment order cable also e.g.: BIS C-505-PU1-10 BIS C-505-PU-10 BIS C-506-PU1-10 BIS C-506-PU-10 BIS C-517-PVC-10 BIS C-518-PVC-10

Only together with converter BIS C-901 or BIS C-6xx

Time specification includes data check.

Values are under rated conditions unless otherwise specified.

For more information about MTTF and B10d see MTTF / B10d Certificate

Indication of the MTTF- / B10d value does not represent a binding composition and/or life expectancy assurance; these are simply experiential values with no warranty implications. These declared values also do not extend the expiration period for defect claims or affect it in any way.

Help Views

BIS C-315-__

	BIS C-104-_/A	BIS C-108-_/L	BIS C-108-_/L-SA2	BIS C-117-05/A	BIS C-117-05/L	BIS C-127-05/L	BIS C-128-_/L	BIS C-130-05/L	BIS C-133-_/L	BIS C-134-11/L	BIS C-190-_/L		
passende Datenträger Appropriate data carriers	bündig / flush	nicht bündig / non-flush	nicht bündig / non-flush	bündig / flush	nicht bündig / non-flush	BIS C-127-05/L	nicht bündig / non-flush	BIS C-130-05/L	nicht bündig / non-flush	BIS C-134-11/L	BIS C-190-_/L	nicht bündig / non-flush	
statischer Betrieb													
Static mode													
Schreibabstand in mm Write distance in mm	1-13	2-16	2-16	0-15	0-18	10-30	0-18	0-18	0-15	0-16	0-20		
Leseabstand in mm Read distance in mm	1-13	2-16	2-16	0-15	0-18	10-30	0-18	0-18	0-15	0-16	0-20		
Versatz in mm bei Abstand von	±15	±15	±15	±15	±17	±30	±17	±16	±17	±16	±18		
	0,7												
	1												
	2												
	3												
	4												
	5												
	6												
	7												
	10												
	15												
	20												
	35												
	42												
	60												
Offset in mm at distance	±10	±11	±10	±12	±15	±30	±15	±14	±14	±14	±18		
	±8	±8	±8	±12	±15	±30	±15	±14	±14	±12	±18		
					±14	±27	±14				±16		
						±20							