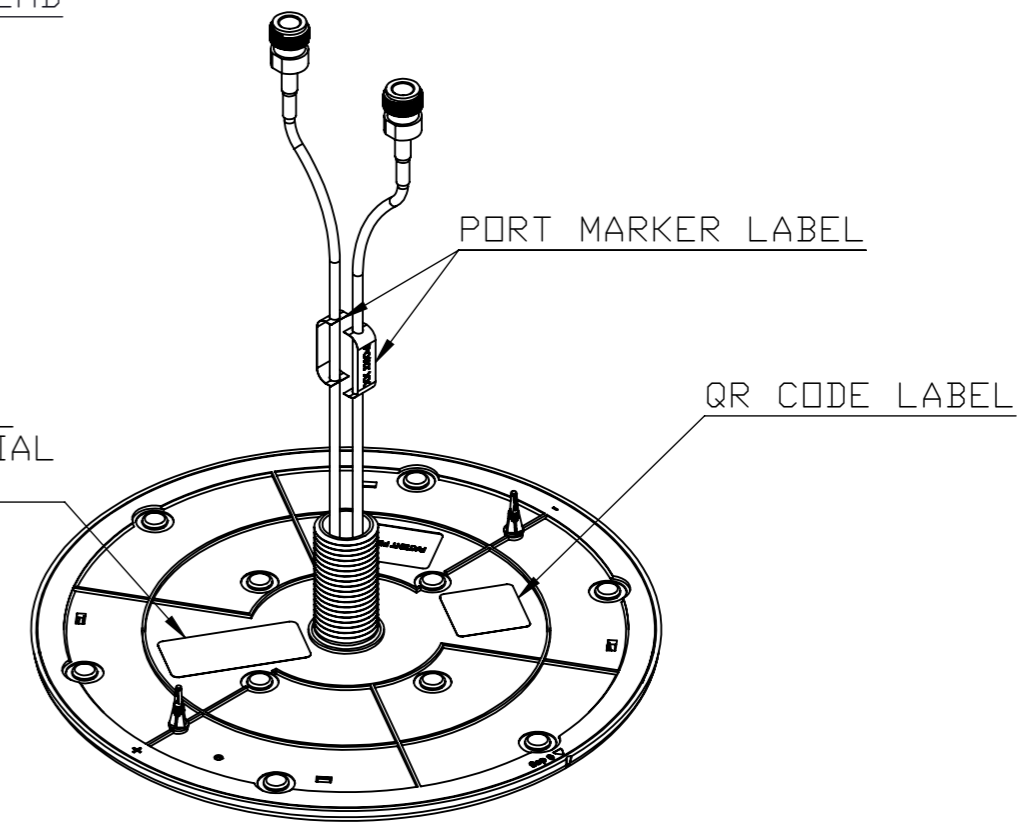
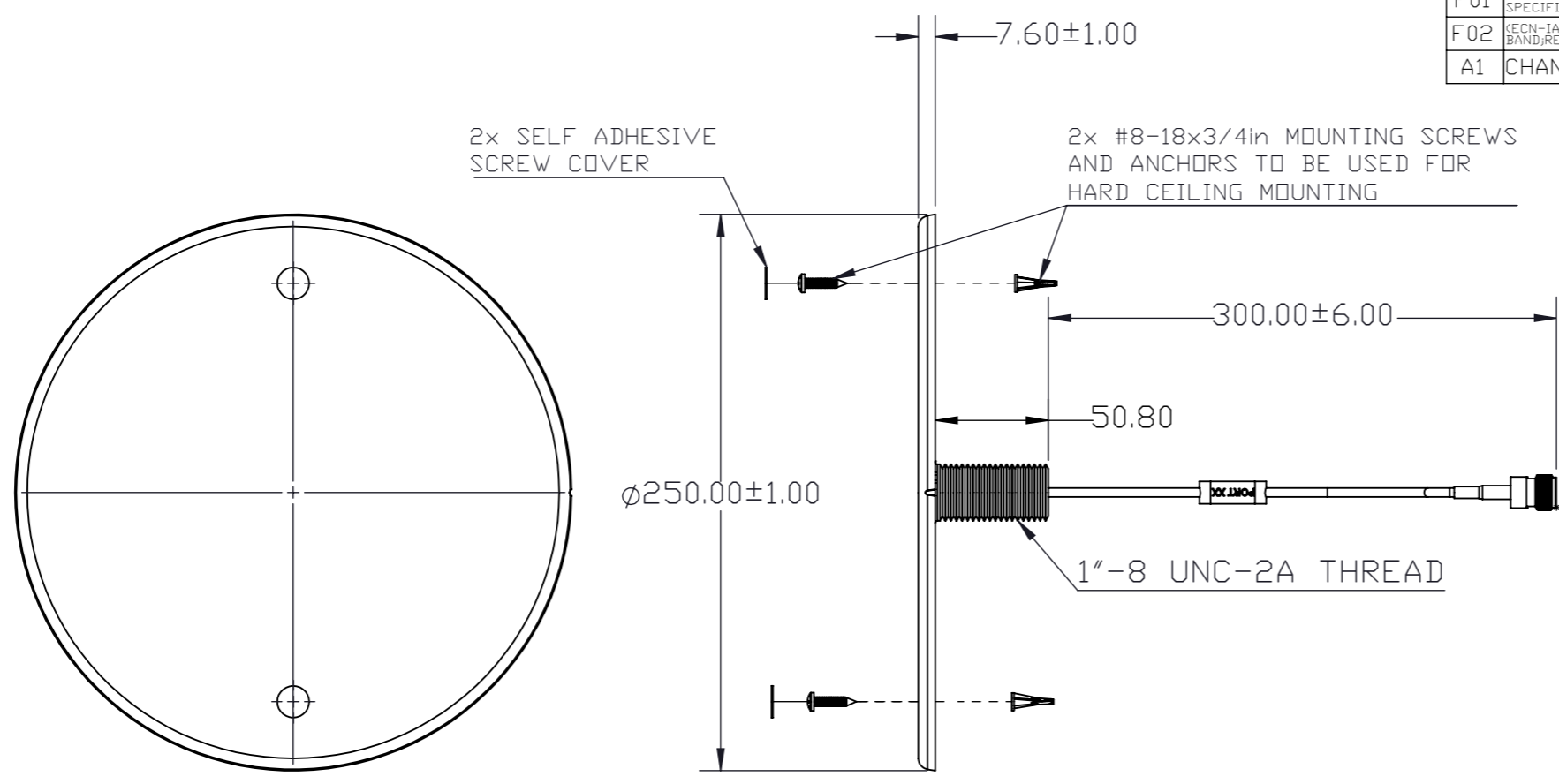


© 2025 TE Connectivity. All Rights Reserved.

REVISIONS

REV	DESCRIPTION	DATE	DWN	APVD
F01	PRODUCTION RELEASED; REMOVED MOUNTING NUT AND GASKET; REVISED SPECIFICATION TABLE	04AUG17	YS TAN	WT NG
F02	(ECN-1AS-06336) REVISED PEAK GAIN FOR 2300-2500MHz FREQ. BAND; REVISE ISOLATION FOR 698-960MHz FREQ. BAND	10AUG17	YS TAN	WT NG
A1	CHANGE TO TE DRAWING FORMAT	15MAY25	PK	C HANG



PARAMETER	SPECIFICATION									
Part No	CFD69383P1-30D43F									
Ports	2									
Frequency Bands, MHz	698-806	824-894	880-960	1350-1550	1690-1880	1850-1990	1910-2180	2300-2500	2500-2700	3300-4000
Peak Gain, dBi (Max)	3.8	3.7	4.2	5.0	4.7	4.3	6.0	5.0	5.7	5.4
VSWR, Max	< 1.5:1		< 2.0:1		< 1.8:1			< 2.0:1		
PIM, 3rd Order, 2 x 20W (Max), dBc	< -150				< -150					
Isolation, dB (Min)	> 18		> 13		> 15		> 25	> 28	> 25	
Nominal Impedance, Ω	50									
Polarization	Linear - Horizontal									
Azimuth Beam Width, °	360, Omnidirectional									
Max Power (Ambient 25°C/77°F), Watt	50									
Cable Length, cm/Connector	30/ 4.3-10, Female									
Antenna Dimension (Ht x Dia), mm	7.6 x 250									
Weight (Approximation), g	440									
Antenna Color	White									
Radome	PC, UL94-V0									
Operating Temperature, °C	-30 to +70									
Storage Temperature, °C	-40 to +85									
RoHS Compliance	YES									

THIS DRAWING IS A CONTROLLED DOCUMENT.		DWN	YS TAN	22MAY2017		TE Connectivity	
		CHK	YJ TEQH	22MAY2017		NAME	
		APVD	C.HANG	22MAY2017		OMNI, 30cm, D43F, HOLES 698-960, 1690-3800MH	
		PRODUCT SPEC	REFER TABLE				
DIMENSIONS:		TOLERANCES UNLESS OTHERWISE SPECIFIED:		APPLICATION SPEC		RESTRICTED TO	
mm		0 PLC ± 0.5		N/A		SIZE	
		1 PLC ± 0.25		WEIGHT		CAGE CODE	
		2 PLC ± 0.130		REFER TABLE		DRAWING NO	
		3 PLC ± -		CUSTOMER DRAWING		A300779	
		4 PLC ± -		SCALE		SHEET	
		ANGLES ± 30'		1:3		1 OF 1	
MATERIAL		FINISH		REV		A1	
N/A		N/A					