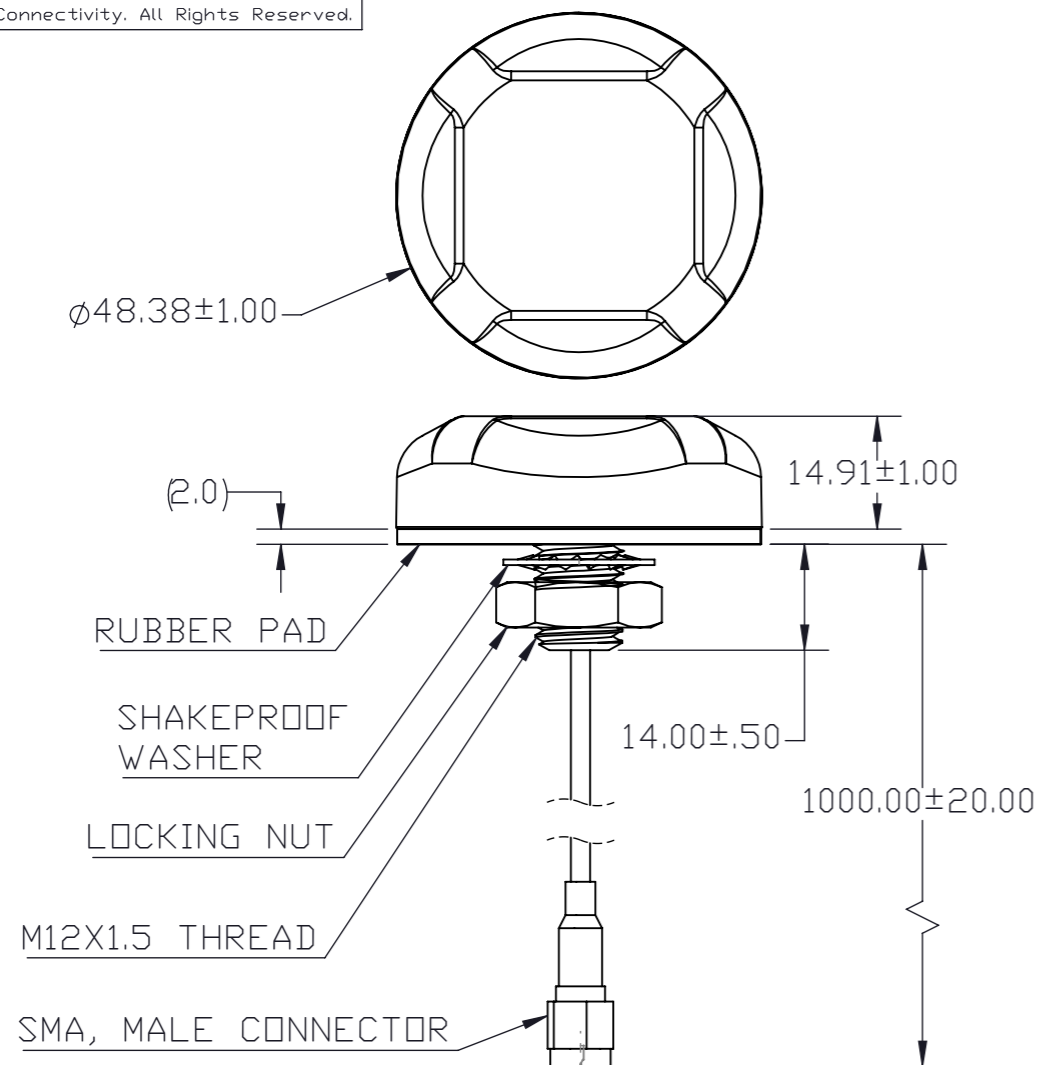


REV	DESCRIPTION	DATE	DWN	APVD
F08	(ECD-20-00104) REVISED ANTENNA P/N FROM GPS1559MPF-100SMAMB TO GNS1559MPF-100SMAM; UPDATED SPECIFICATION TABLE	15MAY20	YS TAN	WT NG
F09	(ECD-20-00707) UPDATED GNSS ANTENNA SPECIFICATION TABLE	26NOV20	YS TAN	WT NG
A1	CHANGE TO TE DRAWING FORMAT	15APR25	PK	C.HANG



GNSS ANTENNA SPECIFICATION

Electrical Characteristics			
Passive Antenna			
1	Frequency Range, MHz	Beidou	1561.098±2.046
		GPS	1575.42±1.023
		GLONASS	1602±5
2	Absolute Gain* (dBi)	Beidou	4.6
		GPS	2.6
		GLONASS	4.4
3	Polarization	RHCP	
<i>*Based on 50 mm cable length on 1ft metal ground plane.</i>			
LNA (without patch element)			
1	DC Voltage, V	2.5 ~ 7	
2	Gain, dB	28±3	
3	VSWR	≤2.5	
4	Noise Figure, dB	≤2.5 @ 1575 MHz	
5	Out of Band Rejection, dBc	698-960 MHz	>80
		1428-1511 MHz	>80
		1710-2700 MHz	>80
		4900-5800 MHz	>70
6	P1dB, dBm	-33	

PARAMETER	SPECIFICATION	
Antenna Model	GNS1559MPF-100SMAM	
Number of Ports	1	
Frequency Range, MHz	Beidou	1561.098±2.046
	GPS	1575.42±1.023
	GLONASS	1602±5
VSWR	≤2.5	
Impedance, Ohm	50	
Current Consumption, mA	8.5±3 (at 3.0V)	
Input Max Power, dBm	-10	
Antenna Dimension (Dia x Ht), mm	48.38 X 14.9	
Weight, kg	0.084	
Cable Length/Connector, cm	100/SMA, Male	
Cable Type	RG174, Black	
Mounting	P-Mount	
Antenan Color	Black	
Radome Material	PC, UL94-V0	
Ingression Protection	IP-67	
Operating Temperature, °C	-30 to +70	
Storage Temperature, °C	-40 to +85	
ESD, kV	+/- 2 (contact discharge) +/- 4 (air discharge)	
RoHS Compliance	Yes	

- NOTES:
- ANTENNA IS MEASURED ON 1FT METAL GROUND PLANE & 1M RG174 CABLE.
 - ANTENNA SPECIFICATION IS SUBJECTED TO CHANGE ACCORDING TO THE GROUND PLANE SIZE & CABLE LENGTH.

THIS DRAWING IS A CONTROLLED DOCUMENT.		DWN YS TAN 09JAN2020			
DIMENSIONS: mm		CHK YJ TEQH 09JAN2020			
TOLERANCES UNLESS OTHERWISE SPECIFIED:		APVD C.HANG 09JAN2020			
		PRODUCT SPEC REFER TABLE APPLICATION SPEC N/A		NAME	
MATERIAL N/A		FINISH N/A		GPS-GNSS ANT P-MOUNT	
		WEIGHT REFER TABLE		SIZE A3	CAGE CODE 00779
		CUSTOMER DRAWING		DRAWING NO GNS1559MPF-100SMAM	RESTRICTED TO
		SCALE 1:1		SHEET 1 OF 1	REV A1